

Work Surfaces

Another key component of effective and efficient fume hood utilization is the type of work surface to use. Inappropriate work surfaces can interfere with lab processes and be a potential danger to lab personnel. Air Master Systems Corporation provides durable, high-performance epoxy resin and stainless steel surfaces that feature top quality materials and workmanship.

Epoxy Resin

Epoxy resin fume hood surfaces provide a durable, chemical resistant worksurface for the harshest laboratory environment. The worksurface is surrounded by a 3/8" (10mm) integrally-molded containment rim designed to ease clean-ups and prevent hood and casework damage from large chemical spills.

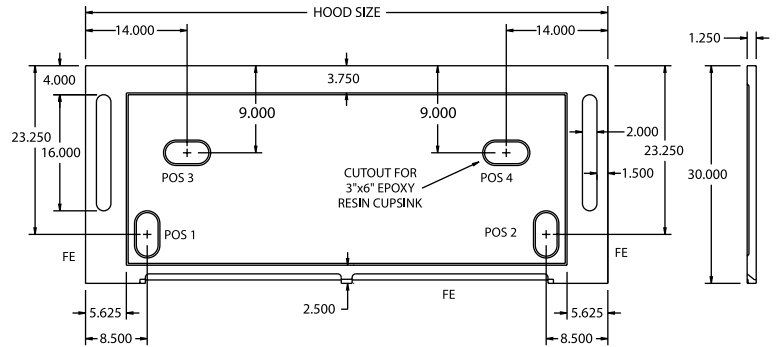
Oval 3" x 6" (7.65 x 15.3cm) cup sinks are standard; locations must be specified when ordering. Other sinks sizes are available upon request.

Stainless Steel

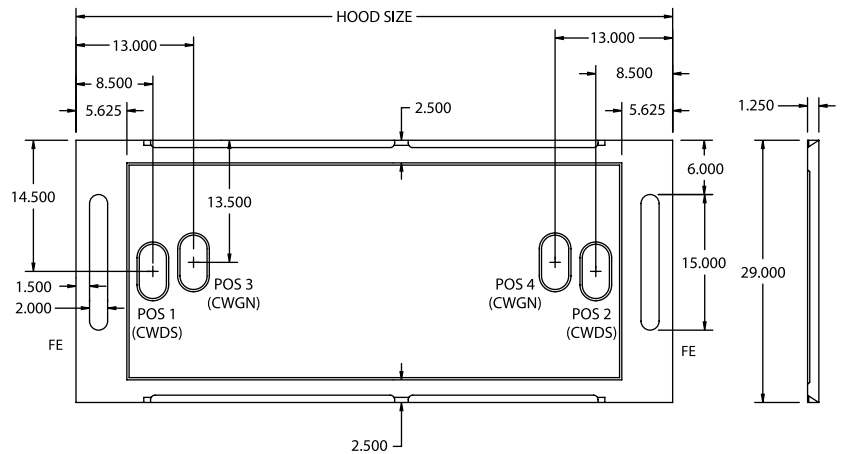
Stainless steel work surfaces are fabricated of 304 stainless steel*, are 1-1/4" (3.2 cm) thick and dished 3/8" with a #4 smooth satin finish. Square 3" x 6" (7.65 x 15.3 cm) welded cup sinks are standard; locations must be specified when ordering.

*In perchloric acid applications, 316 stainless steel is used for lab safety.

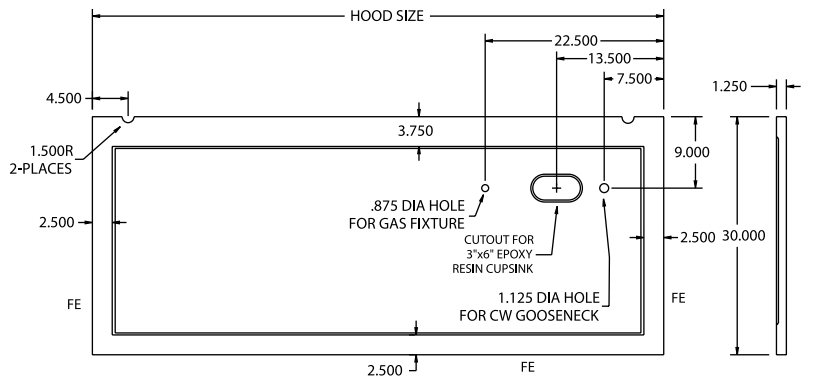
100 and 500 Series Epoxy Work Surfaces



200 Series Epoxy Work Surfaces



300 Series Epoxy Work Surfaces



800 Series Epoxy Work Surfaces

