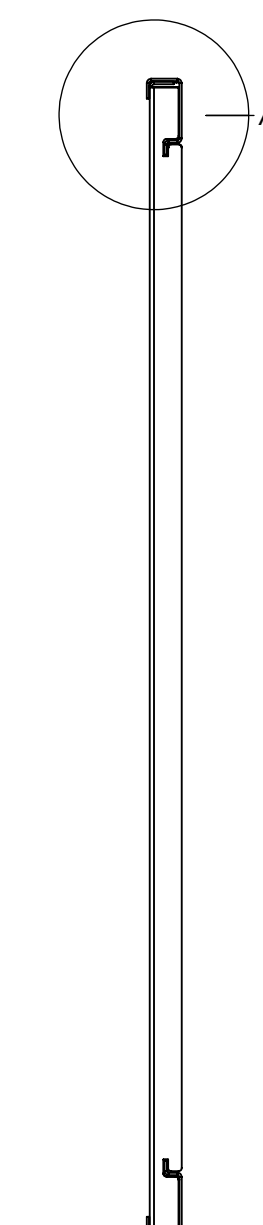
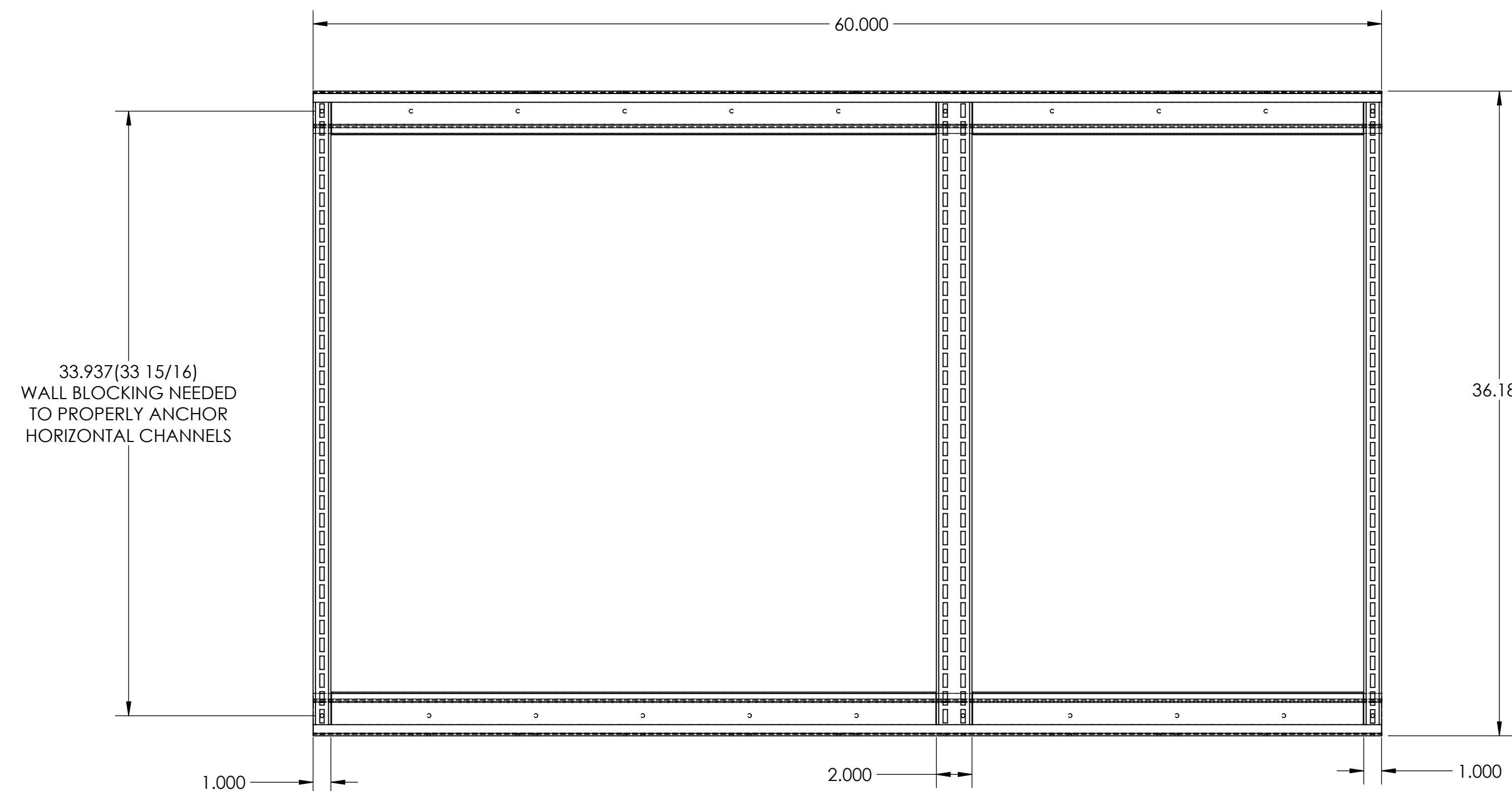
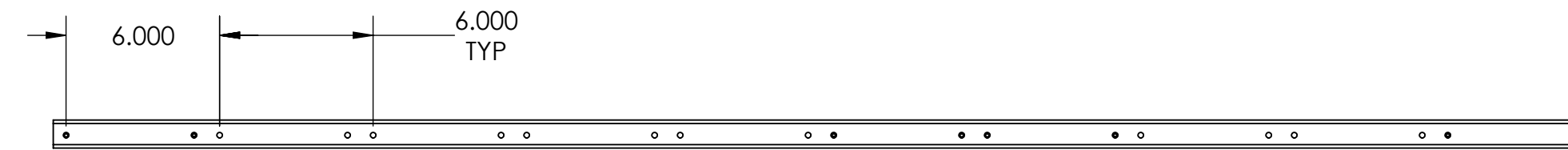
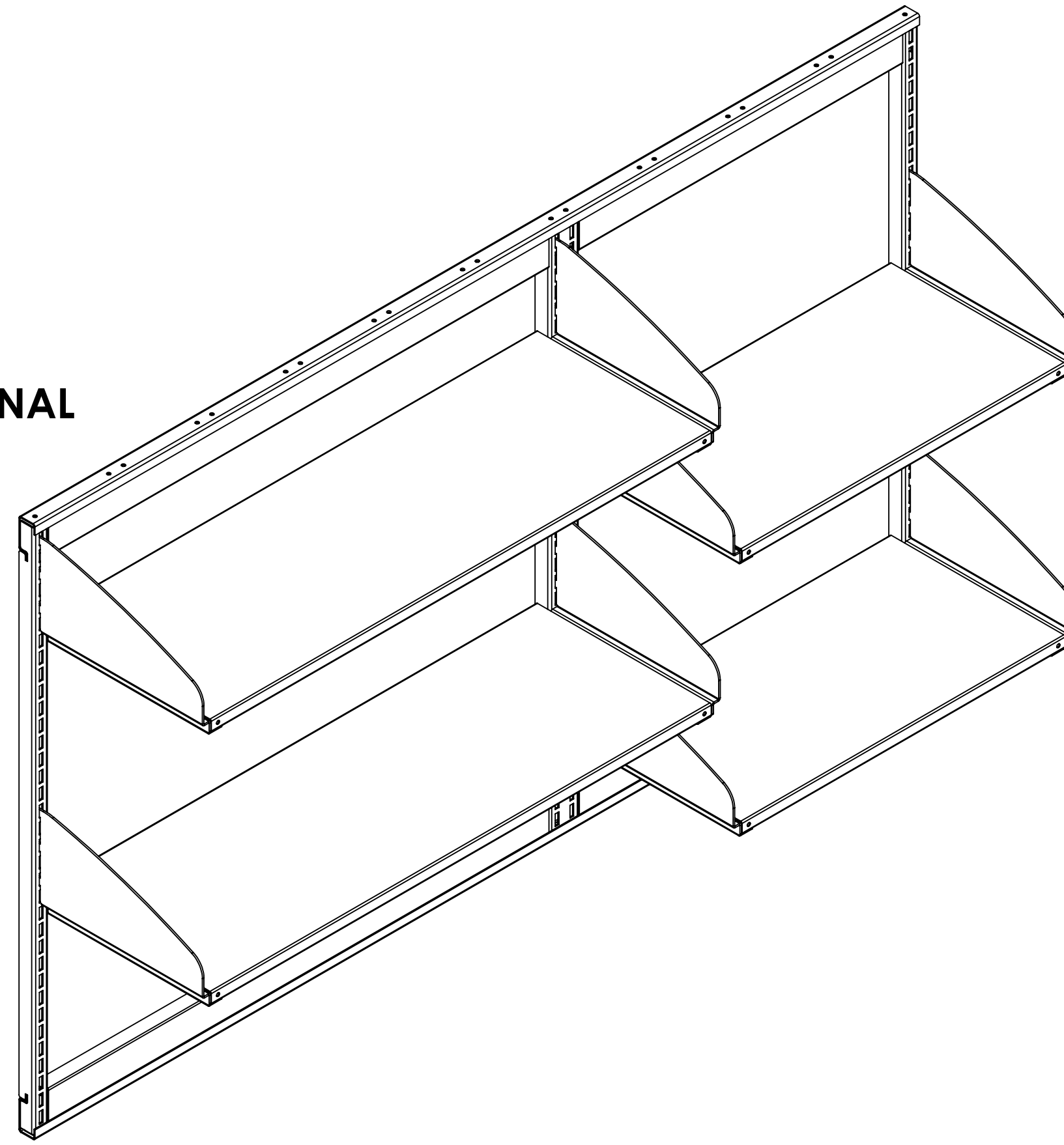


TITAN SYSTEMS: WALL RAIL

1" PROFILE
 36" HIGH, AVAILABLE FROM 24" TO 72" WIDE
 COMPONENTS TO ORDER :

- HORIZONTAL CHANNELS (2)
- VERTICAL UPRIGHT - SINGLE SLOTTED (2)
- VERTICAL UPRIGHT - DOUBLE SLOTTED - OPTIONAL
- COVER PANELS
- SHELVES:
 WALL SHELF KIT ORDERED SEPARATELY
 ADJUSTABLE IN 1" INCREMENTS
 STD DEPTHS: 12", 14" 16" AND 18"

GAUGES
 HORIZONTAL CHANNELS: 14 GAUGE
 VERTICAL UPRIGHTS: 14 GAUGE
 CHANNEL COVER PANELS: 18 GAUGE



SHELVES SHOWN

TWSK-1236 (2)

TITAN WALL SHELF KIT	DEPTH	WIDTH
	12	
	14	
	16	
	18	

TWSK-1224 (2)

TITAN WALL SHELF KIT	DEPTH	WIDTH
	12	
	14	
	16	
	18	

HOW TO ORDER: BY COMPONENTS

(example for configuration on left)

WRS-VR36 (2)

Wall Rail System Vertical Rail Height

WRS-HR60 (2)

Wall Rail System Horizontal Rail Width

WRS-VRDS36 (1)

Wall Rail System Vertical Rail double slotted Height

WRCP36 (2)

Wall Rail Cover Panel Width

WRCP24 (2)

Wall Rail Cover Panel Width

