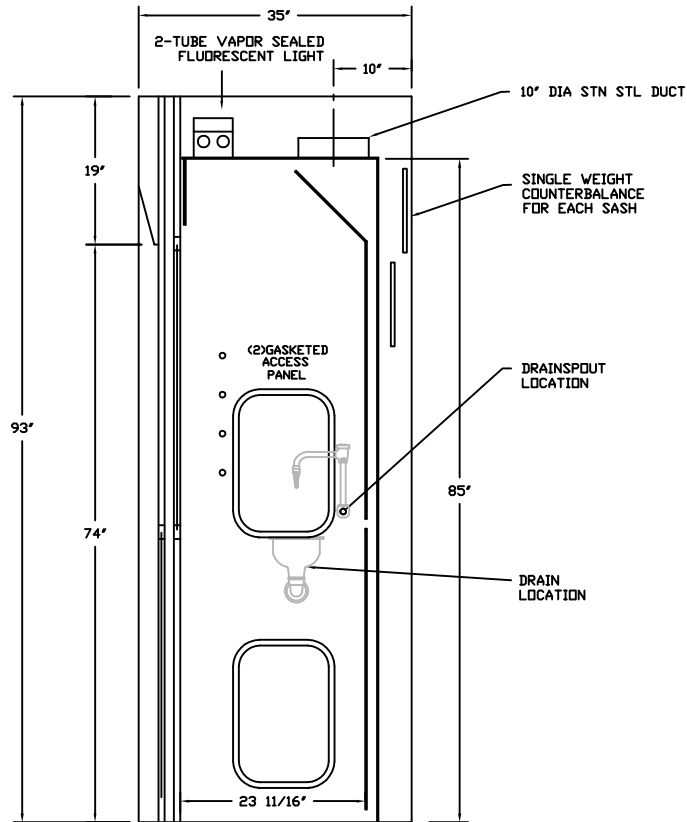


# The Eliminator 400 SERIES: Walk-In Hood

Part No.	Superstructure			Hood Opening		CFM @ 36" *	CFM @ 72" *	SP
	W	H	D	W	H			
EH-411-48	48"	93"	35"	38"	72"	990	1979	.25
EH-411-60	60"	93"	35"	50"	72"	1306	2613	.34
EH-411-72	72"	93"	35"	62"	72"	1623	3246	.34
EH-411-96	96"	93"	35"	86"	72"	2256	4513	.34

\*Height of open sash; CFM calculated at 100 FPM



VERTICAL SECTION

CUPSINK OPTION:

YES  NO



**AIR MASTER SYSTEMS CORP**

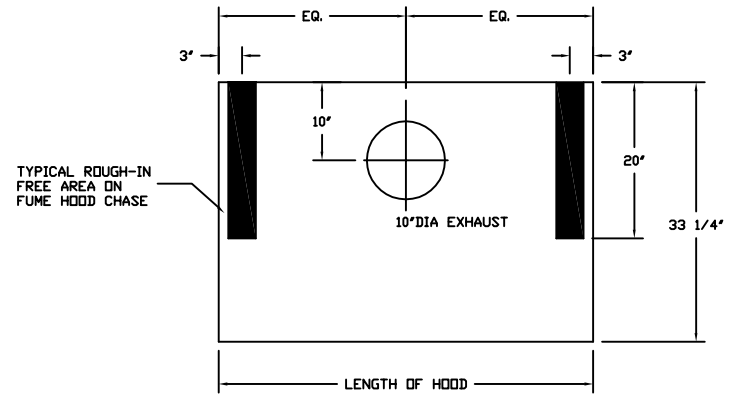
6480 NORTON CENTER DR.  
MUSKEGON, MI. 49441

TEL. (231) 798-1111 FAX (231) 798-4000  
www.airmastersystems.com

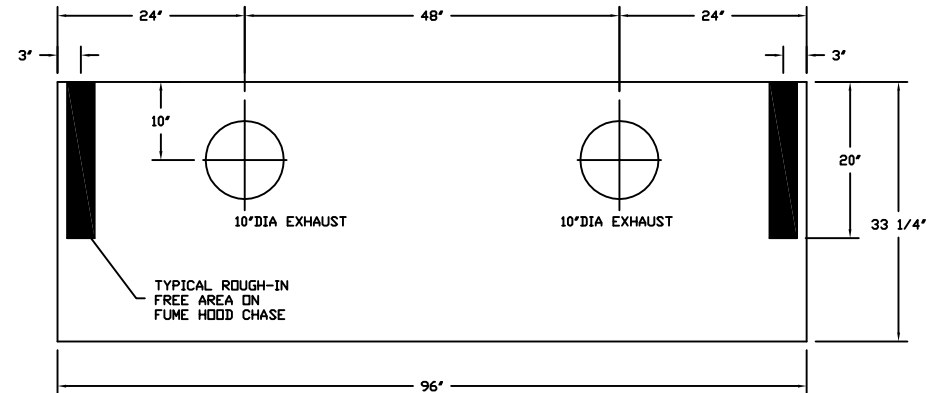
CUSTOMER

Qty: \_\_\_\_\_

Color: \_\_\_\_\_



SERVICE ROUGH-IN DETAIL  
(Specifically for 4', 5', & 6' Hoods)



SERVICE ROUGH-IN DETAIL  
(Specifically for 8' Hoods)