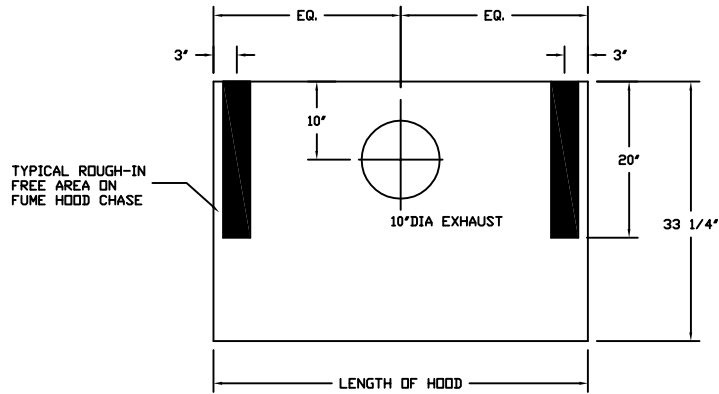
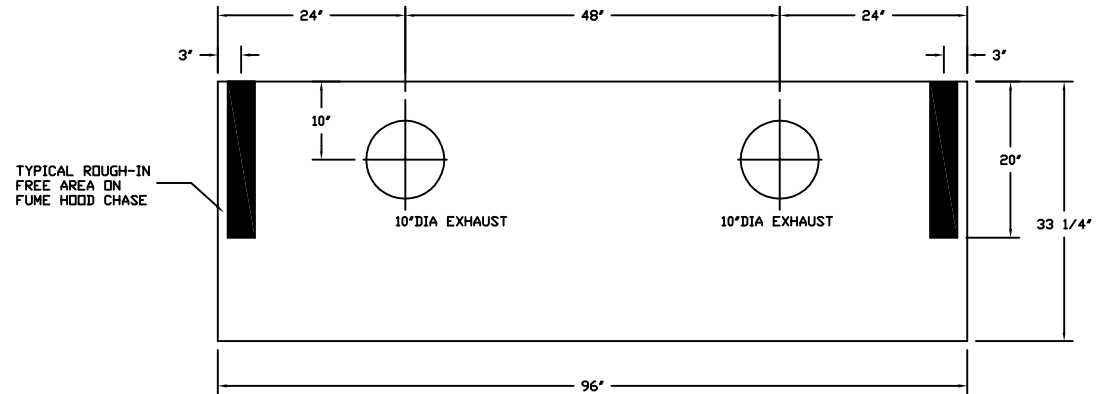


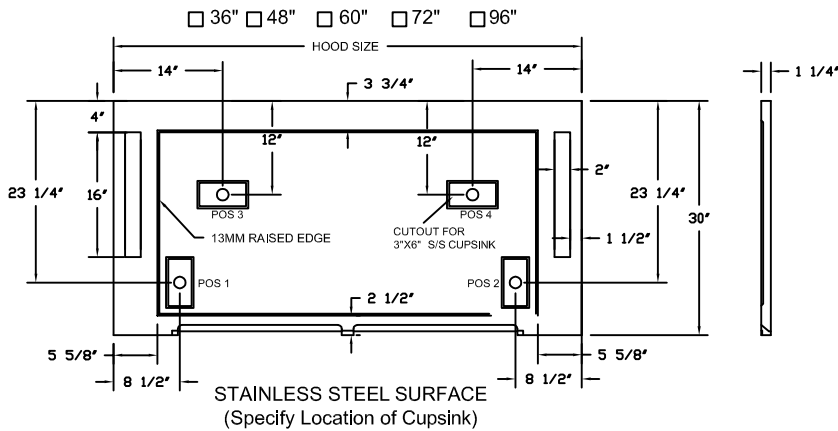
The Eliminator 600 SERIES: Radio Isotope Hood



SERVICE ROUGH-IN DETAIL
(Specifically for 3', 4', 5', & 6' Hoods)



SERVICE ROUGH-IN DETAIL
(Specifically for 8' Hoods)



Part No.	Superstructure			Worktop			Hood Opening		CFM @ 29" *	CFM @ 18" *	SP
	W	H	D	W	H	D	W	H			
EH-611-36	36"	56"	33-1/4"	36"	1-1/4"	30"	26"	29"	567	354	.25
EH-611-48	48"	56"	33-1/4"	48"	1-1/4"	30"	38"	29"	833	521	.25
EH-611-60	60"	56"	33-1/4"	60"	1-1/4"	30"	50"	29"	1100	688	.34
EH-611-72	72"	56"	33-1/4"	72"	1-1/4"	30"	62"	29"	1367	854	.34
EH-611-96	96"	56"	33-1/4"	96"	1-1/4"	30"	86"	29"	1900	1188	.40

*Height of open sash; CFM calculated at 100 FPM

CUPSINK OPTION:

3" X 6" 3" X 9"
 OTHER _____
 NONE



AIR MASTER SYSTEMS CORP

6480 NORTON CENTER DR.
MUSKEGON, MI. 49441
TEL. (231) 798-1111 FAX (231) 798-4000
www.airmastersystems.com

CUSTOMER

Qty: _____
Color: _____