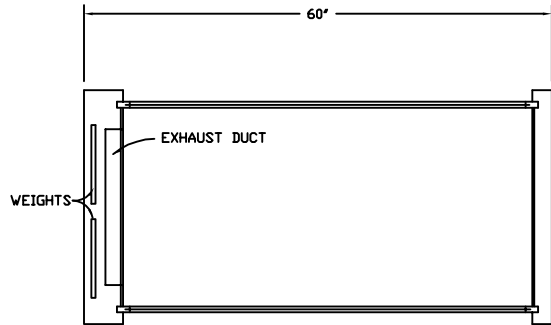
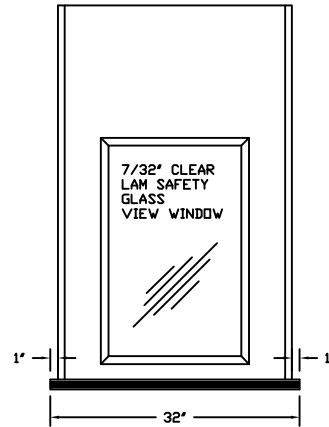


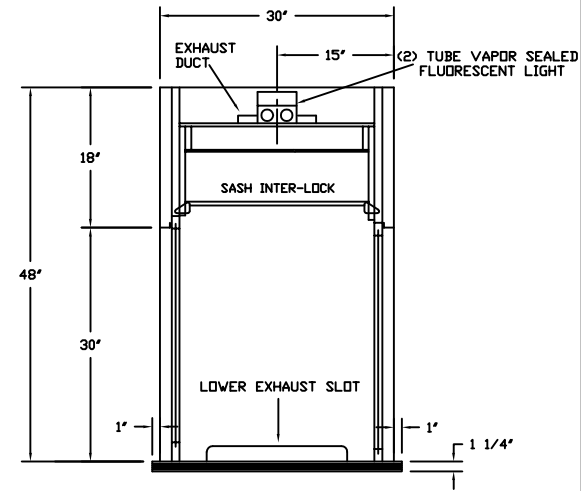
The Eliminator 900 SERIES: Demonstration Hood



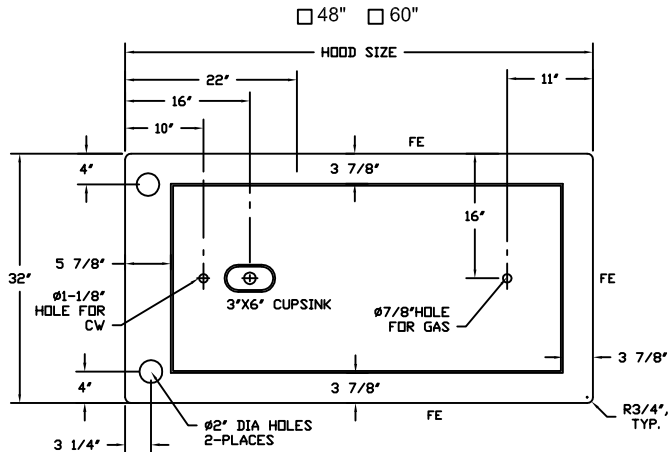
HORIZONTAL SECTION



END VIEW



VERTICAL SECTION



PLAN VIEW OF 1 1/4" COUNTERTOP
NOTE: THIS COUNTERTOP ALLOWS FOR
A 1" OVERHANG ON FRONT AND BACK

CUPSINK OPTION:

- 12" ROUND
- 3" X 6"
- 3" X 9"
- NONE
- OTHER _____

Part No.	Superstructure			Worktop			Hood Opening		CFM @ 27" *	CFM @ 15" *	SP
	W	H	D	W	H	D	W	H **			
EH-911-48	48"	48"	30"	50"	1-1/4"	32"	40 1/2"	26.5"	796	422	.75
EH-911-60	60"	48"	30"	62"	1-1/4"	32"	52 1/2"	26.5"	1016	547	.75

Please specify Left or Right
*Height of open sash; CFM calculated at 100 FPM w/ one sash open
**Each Side



AIR MASTER SYSTEMS CORP

6480 NORTON CENTER DR.
MUSKEGON, MI. 49441
TEL. (231) 798-1111 FAX (231) 798-4000
www.airmastersystems.com

CUSTOMER

Qty: _____
Color: _____