

AMS WATER SUPPLY LINE FITTING REPLACEMENT KIT

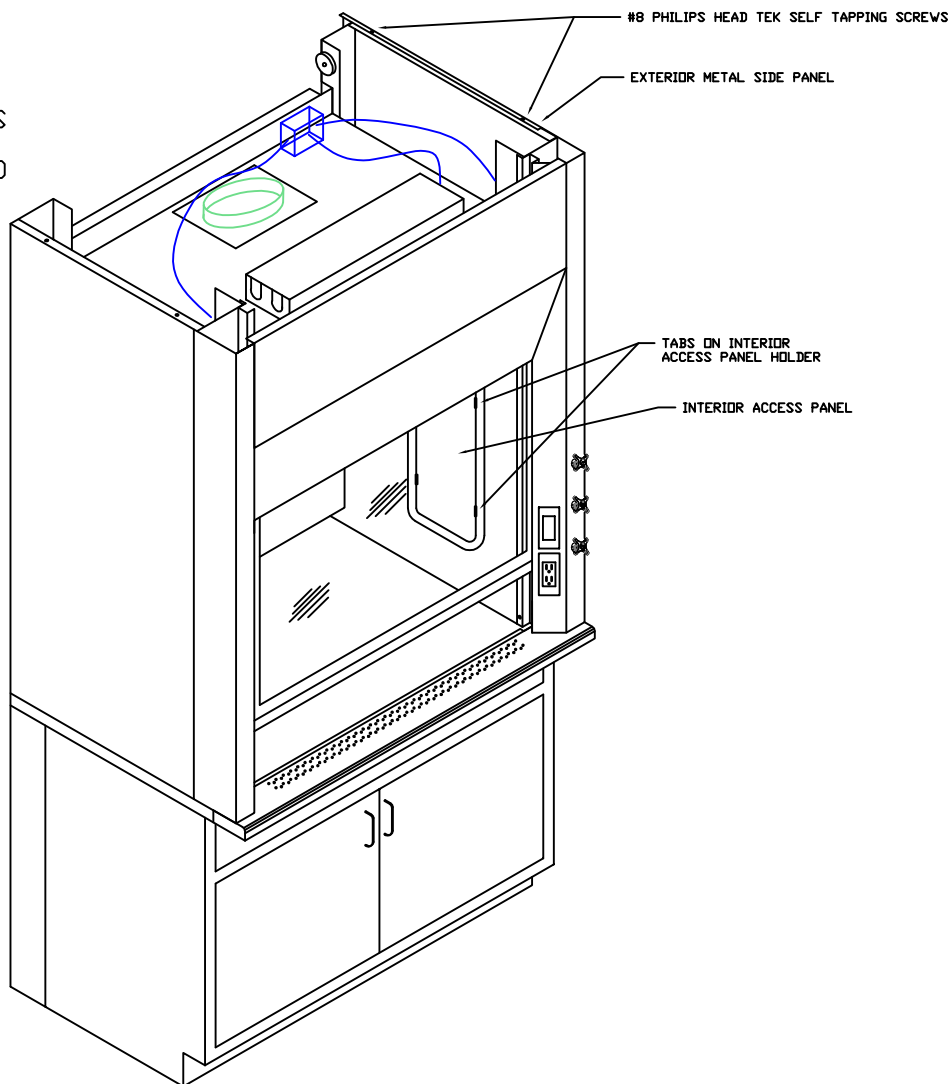
FOR STANDARD REMOTE VALVE

INCLUDED IN KIT: CUTTER
 #68CA-6-6 MALE CONNECTOR
 #169CA-6-6 MALE ELBOW 90
 (2) #63PT-6-62 BRASS INSERTS

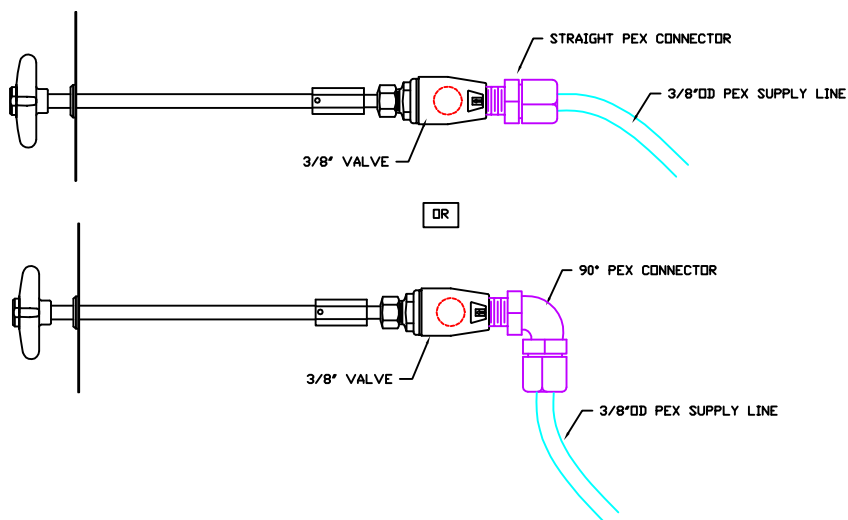
TOOLS REQUIRED: 13/16" OPEN END WRENCH
 5/8" OPEN END WRENCH
 9/16" OPEN END WRENCH
 CUTTER OR UTILITY KNIFE
 PHILLIPS HEAD SCREWDRIVER
 TEFLON TAPE OR PIPE DOPE
 (OPTIONAL SMALL FLAT HEAD SCREWDRIVER)

NOTE: BE SURE THAT THE WATER SUPPLY TO THE FUME HOOD IS TURNED OFF BEFORE PERFORMING ANY REPAIRS

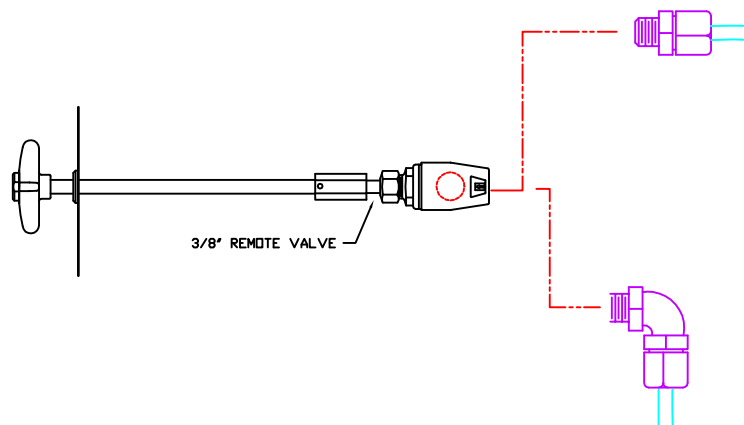
TO ACCESS THE WATER VALVE AND FITTING:
 IF THERE IS SPACE AVAILABLE ON THE EXTERIOR OF THE HOOD YOU CAN REMOVE THE (2) #8 PHILLIPS HEAD SELF TAPPING SCREWS FROM THE TOP OF THE EXTERIOR METAL SIDE PANEL AND THEN LIFT UP AND OUT ON THE PANEL TO REMOVE FROM HOOD.
 OR
 IF THERE IS NO EXTERIOR ACCESS THEN YOU WILL HAVE TO GAIN ACCESS THROUGH THE INTERIOR ACCESS PANEL. THIS PANEL CAN BE REMOVED BY APPLYING PRESSURE TO THE SMALL TABS ON THE RETAINER BODY AND USING YOUR FINGERS OR A SMALL FLAT END SCREWDRIVER PRY THE ACCESS PANEL OUT.



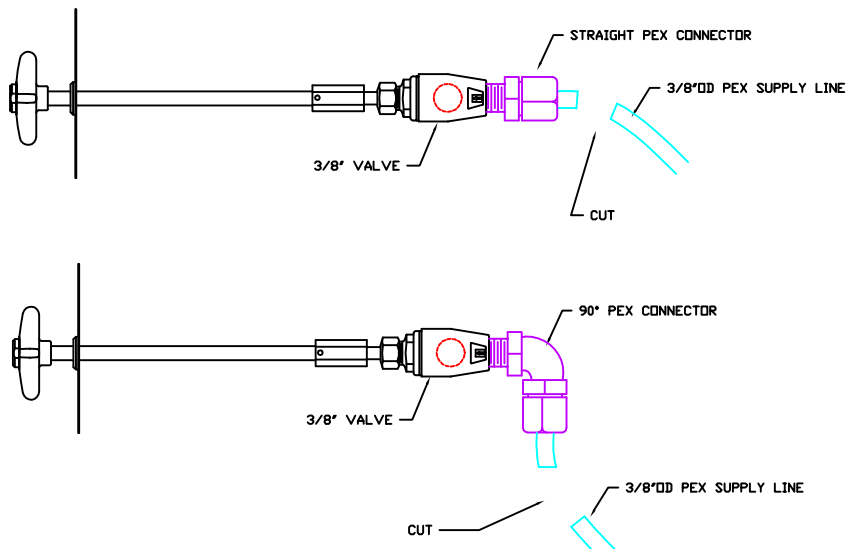
① IF THIS IS YOUR CURRENT SET-UP PROCEED TO STEP 2



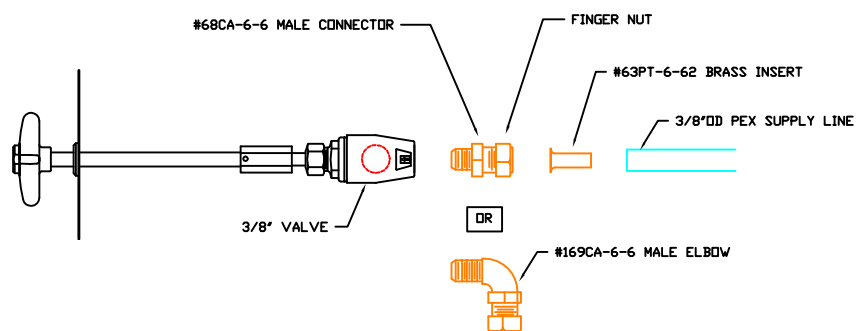
③ REMOVE STRAIGHT OR 90° PEX CONNECTOR FROM VALVE USING 13/16" WRENCH



② CUT PEX LINE AS CLOSE TO CONNECTOR AS POSSIBLE USING CUTTER OR UTILITY KNIFE CUT THE TUBE SQUARELY AND REMOVE ANY BURRS



④ APPLY TEFLON TAPE OR PIPE DOPE TO THE NPT END OF THE FITTING THAT YOU ARE GOING TO USE. (NOT THE COMPRESSION NUT) INSTALL FITTING INTO VALVE USING A 9/16" WRENCH AND TIGHTEN. INSERT THE #63PT-6-62 BRASS INSERT INTO THE OPEN END OF THE PEX SUPPLY LINE AND WITH THE FINGER NUT LOOSE ON THE FITTING INSERT THE SUPPLY PEX LINE INTO THE FITTING UNTIL IT BOTTOMS OUT THEN FINGER TIGHTEN THE NUT. THEN COMPLETELY SEAL THE FITTING BY TIGHTENING THE NUT WITH A 5/8" WRENCH ONE REVOLUTION DO NOT OVER-TIGHTEN NUT OR THREADS WILL STRIP AND THE FITTING WILL NOT FUNCTION PROPERLY



CHECK FOR ANY LEAKS. IF ANY ISSUES REPEAT STEP 4 AND MAKE SURE THAT EVERYTHING IS SEATED CORRECTLY
 AFTER COMPLETION OF INSPECTION REPLACE ALL PANELS THAT WERE REMOVED