

# The Canopy Hoods

## CH-FS For Flat back and Flat Sides

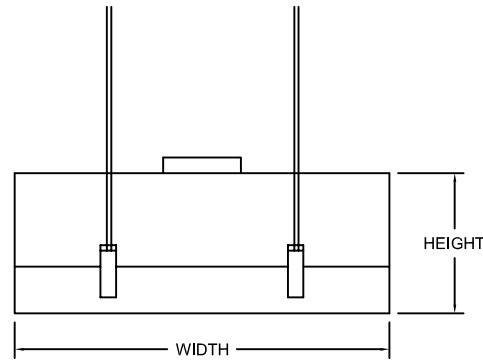
- Painted Steel
- Type 304 Stainless Steel
- Type 316 Stainless Steel

Size: \_\_\_\_\_ W x \_\_\_\_\_ D x \_\_\_\_\_ H

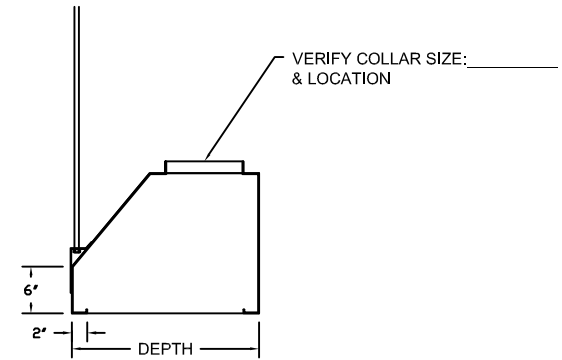
Qty: \_\_\_\_\_

Color: \_\_\_\_\_

48"L stainless steel threaded hanger rods assemblies available. Please specify if required  Yes  No



FRONT VIEW



SECTION VIEW

## CH-IL For Center Style

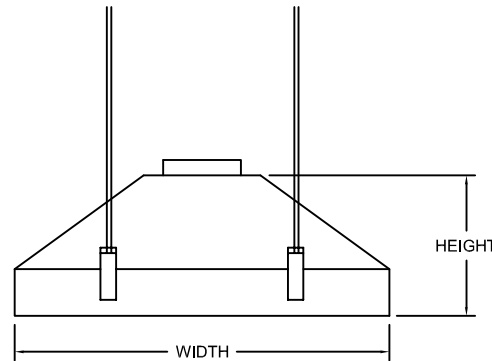
- Painted Steel
- Type 304 Stainless Steel
- Type 316 Stainless Steel

Size: \_\_\_\_\_ W x \_\_\_\_\_ D x \_\_\_\_\_ H

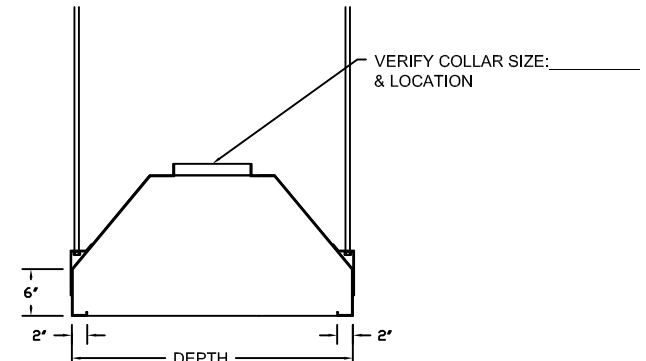
Qty: \_\_\_\_\_

Color: \_\_\_\_\_

48"L stainless steel threaded hanger rods assemblies available. Please specify if required  Yes  No



FRONT VIEW



SECTION VIEW

## CH-SE For Flat Back and Sloped Sides

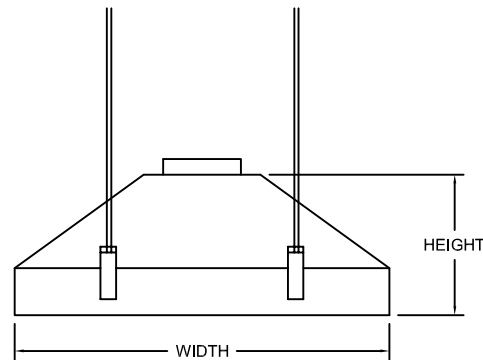
- Painted Steel
- Type 304 Stainless Steel
- Type 316 Stainless Steel

Size: \_\_\_\_\_ W x \_\_\_\_\_ D x \_\_\_\_\_ H

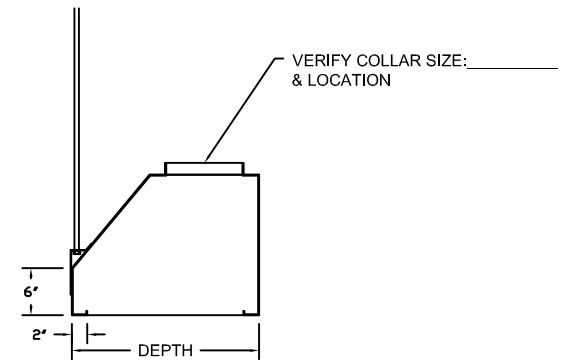
Qty: \_\_\_\_\_

Color: \_\_\_\_\_

48"L stainless steel threaded hanger rods assemblies available. Please specify if required  Yes  No



FRONT VIEW



SECTION VIEW



**AIR MASTER SYSTEMS CORP**

6480 NORTON CENTER DR.  
MUSKEGON, MI. 49441

TEL. (231) 798-1111 FAX (231) 798-4000  
www.airmastersystems.com

CUSTOMER