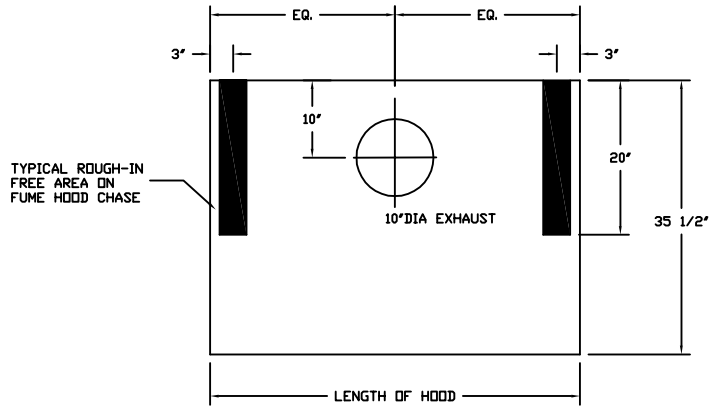
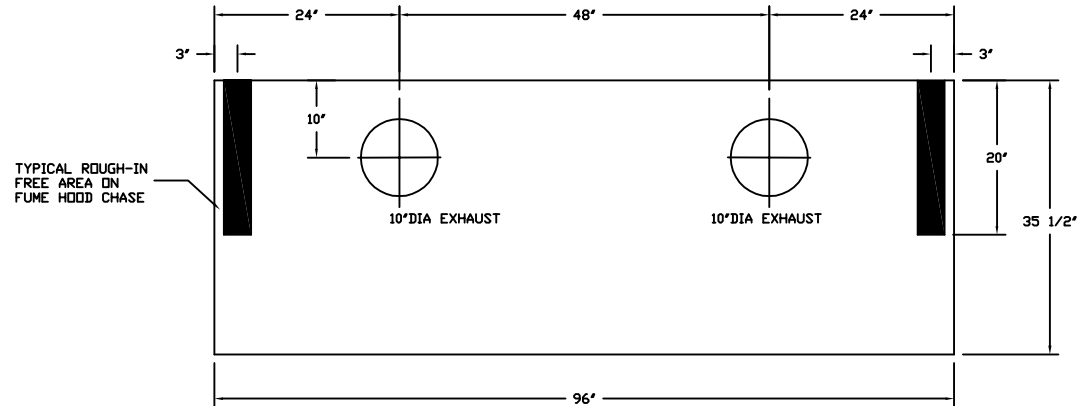


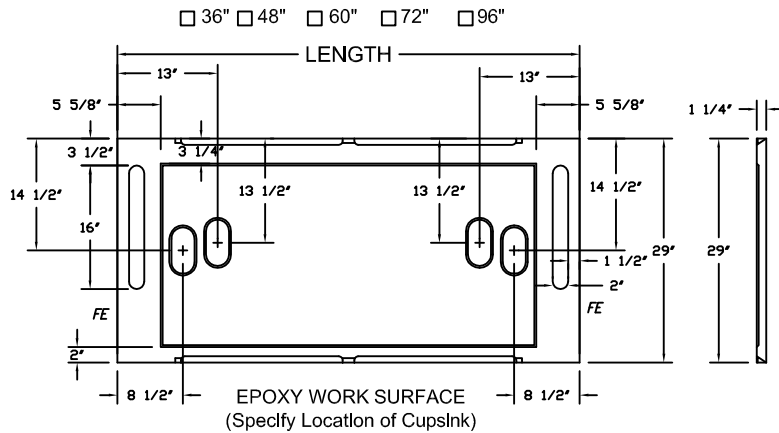
The Eliminator 200 SERIES: Double Faced 100 Series



SERVICE ROUGH-IN DETAIL
(Specifically for 3', 4', 5', & 6' Hoods)



SERVICE ROUGH-IN DETAIL
(Specifically for 8' Hoods)



NOTE: IF ACID / FLAMMABLE CABINETS ARE REQUIRE - CUPSINKS
LOCATIONS WILL VARY, PLEASE CONTACT AMS FOR DETAILS.

| Part No. | Superstructure | | | Worktop | | | Hood Opening | | CFM @ 29" * | CFM @ 18" * | SP |
|-----------|----------------|-----|---------|---------|--------|-----|--------------|-----|-------------|-------------|-----|
| | W | H | D | W | H | D | W | H | | | |
| EH-211-36 | 36" | 56" | 35-1/2" | 36" | 1-1/4" | 29" | 26" | 29" | 567 | 354 | .25 |
| EH-211-48 | 48" | 56" | 35-1/2" | 48" | 1-1/4" | 29" | 38" | 29" | 833 | 521 | .33 |
| EH-211-60 | 60" | 56" | 35-1/2" | 60" | 1-1/4" | 29" | 50" | 29" | 1100 | 688 | .34 |
| EH-211-72 | 72" | 56" | 35-1/2" | 72" | 1-1/4" | 29" | 62" | 29" | 1367 | 854 | .34 |
| EH-211-96 | 96" | 56" | 35-1/2" | 96" | 1-1/4" | 29" | 86" | 29" | 1900 | 1188 | .40 |

*Height of open sash; CFM calculated at 100 FPM with one sash open

CUPSINK OPTION:

3" X 6" 3" X 9"
 OTHER _____
 NONE



AIR MASTER SYSTEMS CORP
 6480 NORTON CENTER DR.
 MUSKEGON, MI. 49441
 TEL. (231) 798-1111 FAX (231) 798-4000
 www.airmastersystems.com

CUSTOMER

Qty: _____
 Color: _____