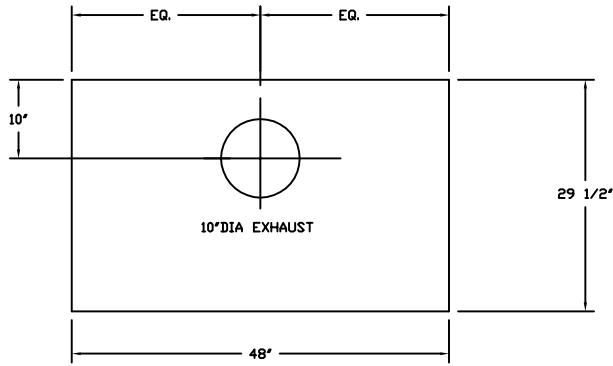
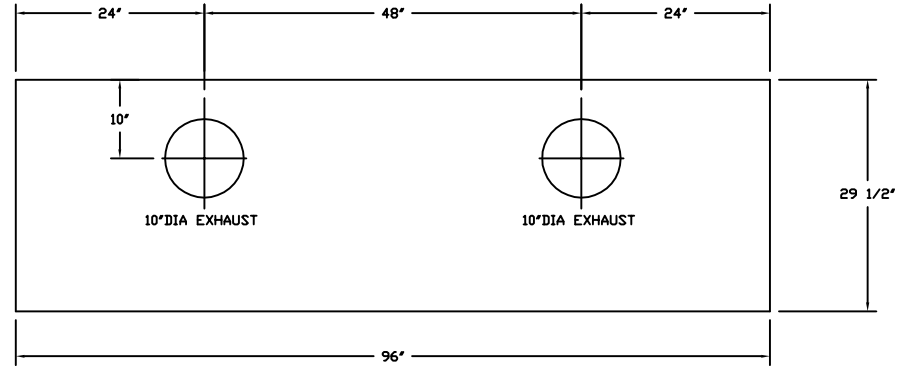


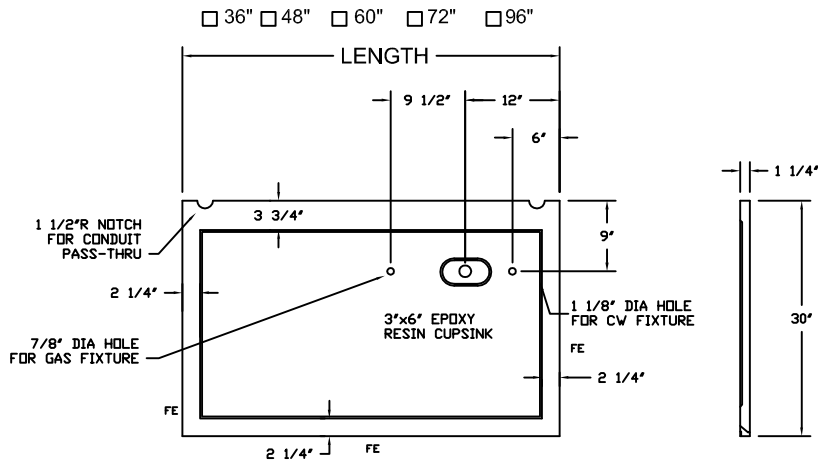
# The Eliminator 300 SERIES: Thin Wall



SERVICE ROUGH-IN DETAIL  
(Specifically for 3', 4', 5', & 6' Hoods)



SERVICE ROUGH-IN DETAIL  
(Specifically for 8' Hoods)



EPOXY WORK SURFACE  
(Specify Location of Cupsink)

LEFT SIDE  RIGHT SIDE

CUPSINK OPTION:

- 3" X 6"       3" X 9"  
 OTHER \_\_\_\_\_  
 NONE

Part No.	Superstructure			Worktop			Hood Opening		CFM @ 28" *	CFM @ 18" *	SP
	W	H	D	W	H	D	W	H			
EH-311-36	36"	56"	29-1/2"	36"	1-1/4"	30"	26"	28"	646	431	.25
EH-311-48	48"	56"	29-1/2"	48"	1-1/4"	30"	43"	28"	896	597	.25
EH-311-60	60"	56"	29-1/2"	60"	1-1/4"	30"	55"	28"	1146	764	.39
EH-311-72	72"	56"	29-1/2"	72"	1-1/4"	30"	67"	28"	1417	944	.37
EH-311-96	96"	56"	29-1/2"	96"	1-1/4"	30"	91"	28"	1896	1264	.43

\*Height of open sash; CFM calculated at 100 FPM



**AIR MASTER SYSTEMS CORP**

6480 NORTON CENTER DR.  
MUSKEGON, MI. 49441

TEL. (231) 798-1111 FAX (231) 798-4000  
www.airmastersystems.com

CUSTOMER

Qty: \_\_\_\_\_

Color: \_\_\_\_\_