

TITAN

S E R I E S



Workbench & Table Frame

The complete flexibility of the Titan Series Workbench (WB) and Table Frame (TF) systems will handle a multitude of functions in the laboratory environment. From research facilities to teaching labs, there is a configuration to meet your requirements. Both the Workbench and Table Frame share the same key features detailed below, and the Workbench incorporates slotted tubing uprights for shelving options.

so adaptable.

- Wall and island configurations can be readily created and easily changed as well as moved for new applications or changing space
- Can be used in conjunction with suspended, mobile or floor-mounted casework
- Solid welded construction
- Stationary models include a fine-adjust leveling foot
- Can be ordered as mobile models with 300, 600 or 1000 lb. casters
- Rear posts are 3" wide to allow for service options. You Cannot intermix services into a single post. You can have up to 3 of the same services in each post.
- Static load capacity of 1000 lbs table only (on stationary models). 1400 lbs with a table & two shelves.
- Standard working height is 36" with a depth of 30"
- Adjustable height from 29-38"
- Available in 36, 48, 60 and 72" widths
- Cabinets or apron assemblies ordered separately
- Counter top options available
- Order WB shelving separately. Shelf

Air Master Systems Corp.

6480 Norton Center Drive, Muskegon, MI 49441 • 231.798.1111 • 231.798.4000 fax • airmastersystems.com



Ordering Guide

Titan Series Workbench

- Feet:**
- L Leveling Feet
 - C 300 lb Standard Casters
 - N 300 lb. Leveling Casters
 - H 600 lb. Leveling Casters
 - X 1000 lb. Leveling Casters

- Services:**
(services must be the same in each post)
- 1,2,3 Number of services
- P Plumbing
 - E Electrical
 - D Data

TWB - SL6030-2P-2E-E

- Legs:**
- A Adjustable
 - S Stationary

Width: Depth:

36"	30"
48"	
60"	
72"	

- Top:**
- E Epoxy
 - P Phenolic
 - O Other
 - N None

Titan Series Table Frame

- Feet:**
- L Leveling Feet
 - C 300 lb Standard Casters
 - N 300 lb. Leveling Casters
 - H 600 lb. Leveling Casters
 - X 1000 lb. Leveling Casters

- Top:**
- E Epoxy
 - P Phenolic
 - O Other
 - N None

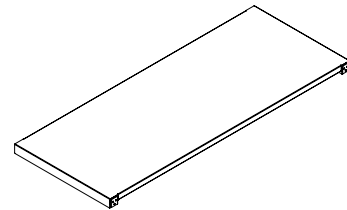
TF - SL4830 - E

- Legs:**
- A Adjustable
 - S Stationary

Width: Depth:

36"	30"
48"	
60"	
72"	

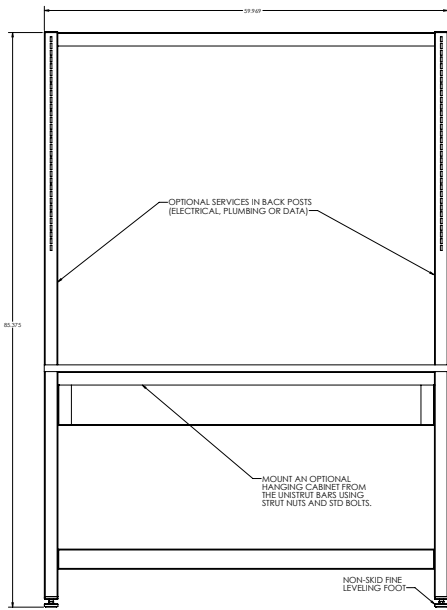
(Upper Shelf options see third page)



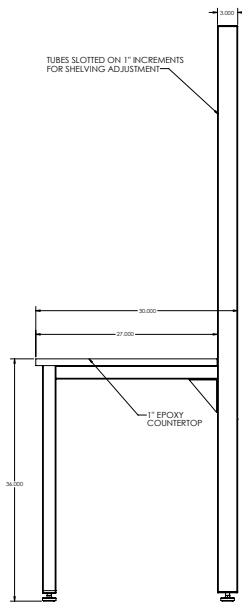
TFSHELF & TWBSHELF

Optional lower shelf for Titan Table Frame and Titan Workbench. Available in all Workbench and Table Frame sizes. Example: TFSHELF-6030

E



WORKBENCH FRONT VIEW:



WORKBENCH END VIEW:

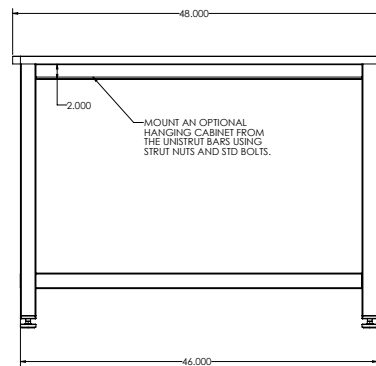


TABLE FRAME FRONT VIEW:

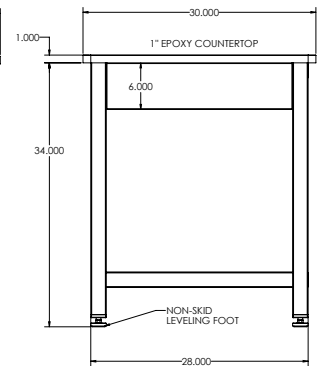


TABLE FRAME END VIEW:

TWB-SL6030-E

(model as shown)

TF-SL4830-E

(model as shown)



Air Master Systems Corp.

6480 Norton Center Drive, Muskegon, MI 49441 • 231.798.1111 • 231.798.4000 fax • airmastersystems.com

© 2016 Air Master Systems Corp

Ordering Guide:

Shelf Kit System:

TSK-1848-12B

Depth-Bracket Depth:

18"-12"
20"-14"
22"-16"
24"-18"

Island Core Width:

24", 30", 36", 42", 48", 54", 60", 66", 72"

TSK-1248-12B

Depth-Bracket Depth:

12"-12"
14"-14"
16"-16"
18"-18"

Island Core Width:

24", 30", 36", 42", 48", 54", 60", 66", 72"

TSK-1848-12i

Depth-Bracket Depth:

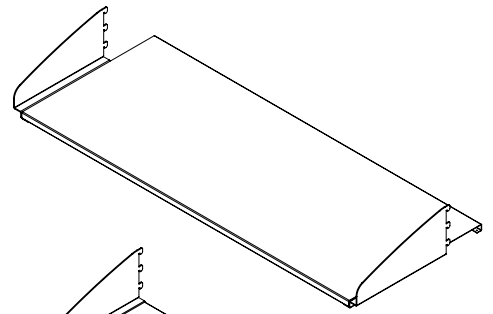
12"-12"
(only)

Island Core Width:

24", 30", 36", 42", 48", 54", 60", 66", 72"

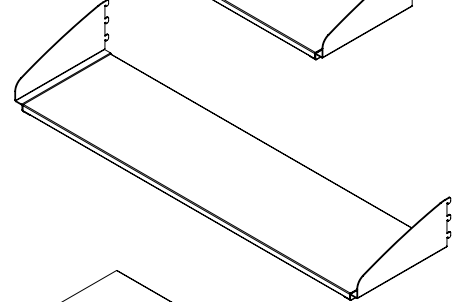
TSK-1848-12B

(model as shown)



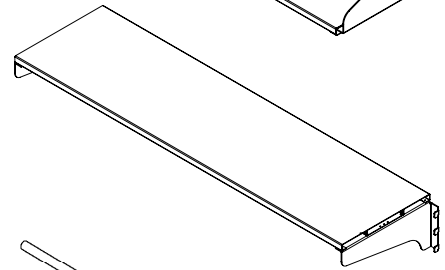
TSK-1248-12B

(model as shown)



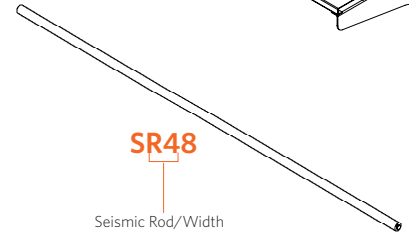
TSK-1248-12i

(model as shown)



SR48

Seismic Rod/Width
(available for all shelves)



Titan Shelf Kit

Style:

T Titan
S Shelf
K Kit

Top:

B Bracket
I Inside Bracket
S Seismic Rod
(includes brackets)

TSK-1848-12B

Depth inches: Width inches: Bracket Depth

Air Master Systems Corp.

6480 Norton Center Drive, Muskegon, MI 49441 • 231.798.1111 • 231.798.4000 fax • airmastersystems.com

© 2015 Air Master Systems Corp.