

# THE ELIMINATOR 100 SERIES: AIRFOIL FUME HOOD

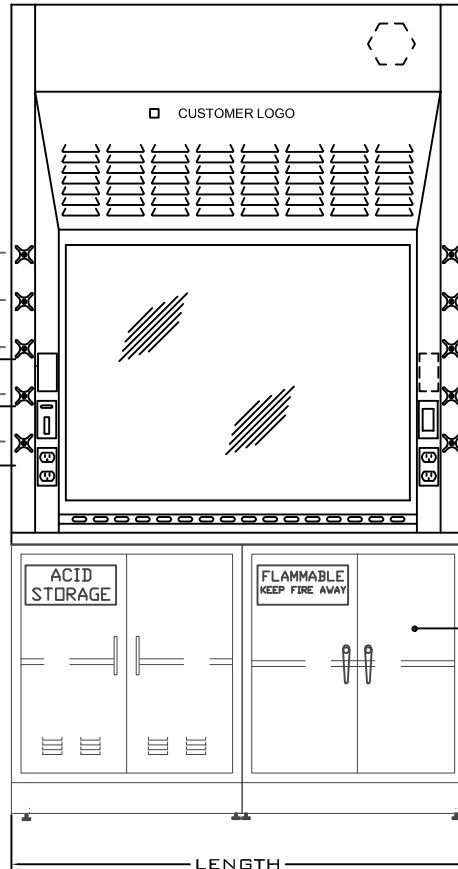
APPLICATIONS: K-12; HIGHER EDUCATION; INDUSTRIAL; BIO TECH / R&D

## EH-100 STANDARD FEATURES

- Interior Baffle Arrangement:
  - Fixed baffles (standard)
- Exhaust Collar:
  - Type 304 s/s - 10" Dia. Round (standard)
  - Other \_\_\_\_\_
- Interior Lighting Fixture:
  - Standard T-8 Vapor Proof Flour. Light w/ Bulbs (standard)
- Sash Frame & Glass:
  - Painted Steel Frame w/ Laminated Safety Glass (standard)
- Airfoil:
  - Painted Steel (standard)
- Sash Type:
  - Vertical (standard)
- Pre-Piping / Pre-Wiring (standard)
  - All hoods are pre-wired & pre-piped unless other wise noted

(SPECIFY FITTINGS / FIXTURES REQUIRED)

(SPECIFY FITTINGS / FIXTURES REQUIRED)



- ALARM 500
- ALARM 1000
- OTHER ALARM (CUTOUT ONLY)
- BLOWER SWITCH (OPTIONAL)
- 120V GFI DUPLEX (OPTIONAL)

- ALARM 500
- ALARM 1000
- OTHER ALARM (CUTOUT ONLY)
- LIGHT SWITCH (OPTIONAL)
- 120V GFI DUPLEX (OPTIONAL)

## OPTIONAL ACCESSORIES

- Lattice Assembly:
  - None
  - Aluminum Lattice Assembly
  - Stainless Steel Assembly
- Interior Lighting Fixture:
  - Explosion Proof Light
- Fume Hood Alarm Option:
  - Alarm Tel AFA\_500
  - Alarm Tel AFA\_1000
  - VAV Cutout (Customer provides cutout detail)
- Sash Frame & Glass:
  - Stainless Steel Frame w/ Laminated Safety Glass
- Airfoil:
  - Type 304 Stainless Steel
  - Type 316 Stainless Steel
- Trough:
  - None (standard)
  - Painted Steel
  - Type 304 Stainless Steel
  - Type 316 Stainless Steel
- Ceiling Enclosure:
  - Yes (Height: \_\_\_\_\_)  No
- Finished Back:
  - Yes  No
- Sash Type:
  - Combination
  - Horizontal
  - Interlocking
- Additional Options:
  - Blower  Restricted By Pass
  - Sash Stops  Add Air Chamber
  - Push Button Sash Stop  Sash Locks
  - Automatic Sash Return  Electronic Sash Closer
  - Sash Alarm  Sash Cap
- Pass Through Cord Ports
  - Non Required
  - 1 1/2" Dia. Front Post Cord Ports
  - \_\_\_\_\_ Dia. Side Panel Cord Ports (please specify size)
- Service Fixture Type:
  - Ball valve w/ lever handles
  - Needle valve w/ four-arm handle
  - Front Mount Valve w/ four-arm handle
  - Special Plumbing Requirements: \_\_\_\_\_

**BASE CABINETS OPTIONS:**

ACID CABINET	___"W x ___"H x ___"D
FLAMMABLE CABINET	___"W x ___"H x ___"D
VACUUM PUMP CABINET	___"W x ___"H x ___"D
HOOD BASE FRAME	___"W x ___"H x ___"D
SINK BASE CABINET	___"W x ___"H x ___"D

- CABINET PULL OPTIONS:**
- BRUSHED ALUMINUM BAR STYLE
  - BRUSHED STEEL WIRE STYLE
  - BRUSHED ALUMINUM RECESS STYLE
  - BLACK RECESS STYLE
  - STAINLESS STEEL WIRE STYLE

- WORK SURFACE MATERIAL:**
- Black Epoxy (standard) Other Color: \_\_\_\_\_
  - Type 304 Stainless Steel
  - Type 316 Stainless Steel

- LINER MATERIAL:**
- POLY RESIN (standard)
  - 304 STAINLESS STEEL
  - 316 STAINLESS STEEL
  - PVC
  - SPECIAL

- PRE-PIPING:**
- PRE-PIPING UP
  - PRE-PIPING DOWN


- BY-PASS TYPE:**
- OPEN BY-PASS (standard)
  - RESTRICTED BY PASS

SPECIAL REQUIREMENTS: \_\_\_\_\_

\_\_\_\_\_

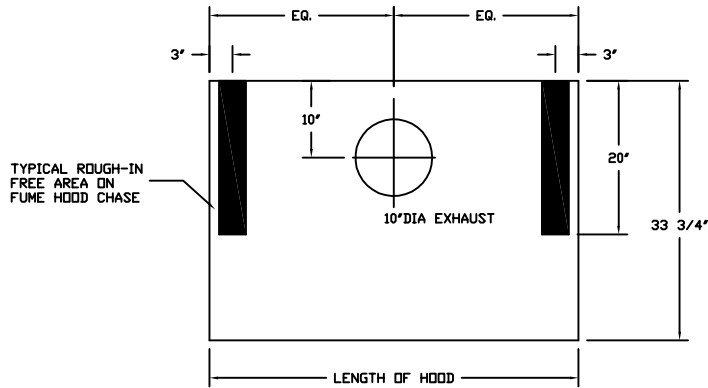
\_\_\_\_\_

- OPTIONAL FH DEPTH:**
- 39.25" deep w/ 36"d epoxy dished top

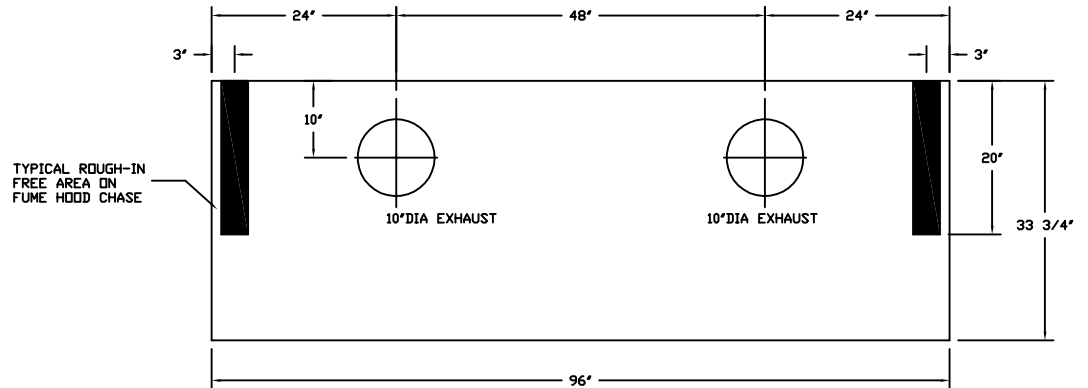
	<p><b>AIR MASTER SYSTEMS CORP</b>                  6480 NORTON CENTER DR.                  MUSKEGON, MI 49441                  TEL. (231) 798-1111 FAX (231) 798-4000                  WWW.AIRMASTERSYSTEMS.COM</p>	<p>CUSTOMER</p>	<p>QTY: _____</p> <p>COLOR: _____</p>
-------------------------------------------------------------------------------------	-------------------------------------------------------------------------------------------------------------------------------------------------------------------------------------------------------------------------------------	-----------------	---------------------------------------

# THE SOLUTION: FUME HOOD (6200 FPM)

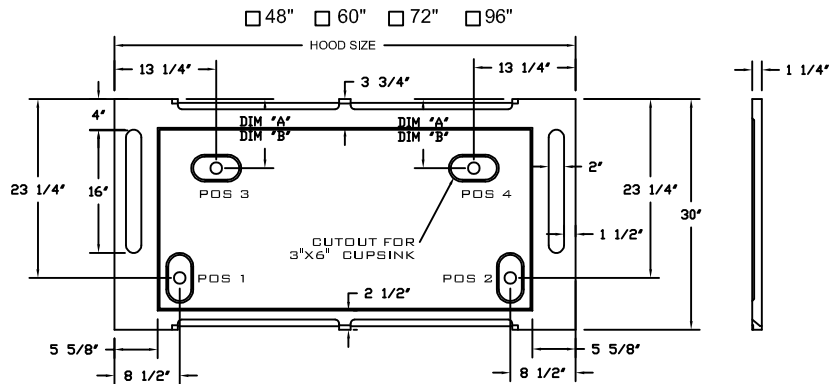
APPLICATIONS: K-12; HIGHER EDUCATION; INDUSTRIAL; BIO TECH / R&D



SERVICE ROUGH-IN DETAIL  
(SPECIFICALLY FOR 4', 5', & 6' HOODS)



SERVICE ROUGH-IN DETAIL  
(SPECIFICALLY FOR 8' HOODS)



EPOXY WORK SURFACE  
(SPECIFY LOCATION OF CUPSINK)

INCLUDE VENT HOLE

DIM "A" = 9" (UTILIZED WITH 18" DEEP CABINETS)  
DIM "B" = 5-1/4" (UTILIZED WITH 22" DEEP CABINETS)

## CUPSINK OPTIONS:

- 3" X 6"       1/4" RAISED RIM
- 3" X 9"
- OTHER \_\_\_\_\_
- NONE

PART NO.	SUPERSTRUCTURE			18" SASH HT.		HOOD OPENING (SQ. FT.)	18" SASH HT.		STATIC PRESSURE
	W	H	D	CFM @ 100 FPM	CFM @ 60 FPM		CFM @ 100 FPM	CFM @ 60 FPM	
EH-SOL-48	48"	57.25"	33-3/4"	475	285	7.39	739	433	.25"
EH-SOL-60	60"	57.25"	33-3/4"	625	375	9.72	972	583	.33"
EH-SOL-72	72"	57.25"	33-3/4"	775	465	12.06	1206	723	.50"
EH-SOL-96	96"	57.25"	33-3/4"	1075	645	16.72	1672	1003	.26"



AIR MASTER SYSTEMS CORP  
6480 NORTON CENTER DR.  
MUSKEGON, MI 49441  
TEL. (231) 798-1111 FAX (231) 798-4000  
WWW.AIRMASTERSYSTEMS.COM

CUSTOMER

QTY: \_\_\_\_\_  
COLOR: \_\_\_\_\_