

THE ELIMINATOR 200 SERIES: DOUBLE FACED 100 SERIES

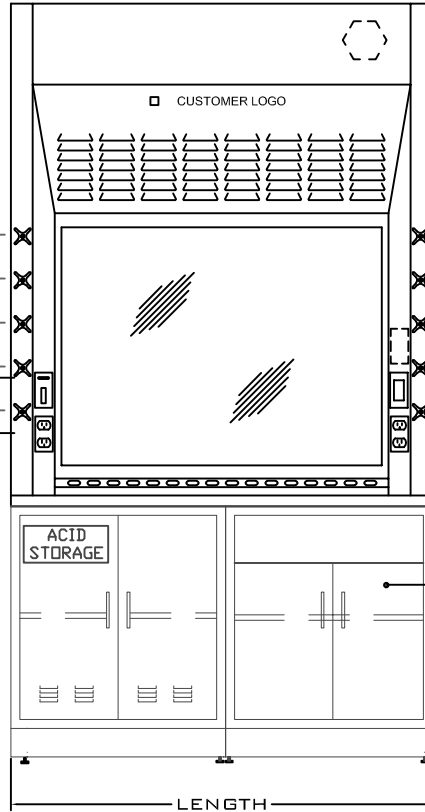
APPLICATIONS: K-12; HIGHER EDUCATION; INDUSTRIAL; BIO TECH / R&D

(SPECIFY FITTINGS / FIXTURES REQUIRED)

PLEASE SPECIFY IF PLUMBING FIXTURES ARE REQUIRED ON BOTH SIDES

FRONT / BACK

- SERVICE
- SERVICE
- SERVICE
- BLOWER SWITCH
- 120V GFI DUPLEX



FRONT SIDE

36" 48" 60" 72" 96"

CUSTOM SIZES AVAILABLE; CONTACT AMS

SPECIAL REQUIREMENTS: _____

(SPECIFY FITTINGS / FIXTURES REQUIRED)

PLEASE SPECIFY IF ELECTRICAL FIXTURES ARE REQUIRED ON BOTH SIDES

FRONT / BACK

- SERVICE
- SERVICE
- SERVICE
- SERVICE
- SERVICE
- SERVICE
- ALARM 500
- ALARM 1000
- OTHER ALARM (CUTOFF ONLY)
- LIGHT SWITCH
- 120V GFI DUPLEX

BASE CABINETS OPTIONS:

ACID CABINET	___"W x ___"H x ___"D
FLAMMABLE CABINET	___"W x ___"H x ___"D
VACUUM PUMP CABINET	___"W x ___"H x ___"D
HOOD BASE FRAME	___"W x ___"H x ___"D
SINK BASE CABINET	___"W x ___"H x ___"D

INCLUDE ACID CABINET VENT KIT

CABINET PULL OPTIONS:

- BRUSHED ALUMINUM BAR STYLE
- BRUSHED STEEL WIRE STYLE
- BRUSHED ALUMINUM RECESS STYLE
- BLACK RECESS STYLE
- STAINLESS STEEL WIRE STYLE

WORK SURFACE MATERIAL:

- Black Epoxy (standard) Other Color: _____
- Type 304 Stainless Steel
- Type 316 Stainless Steel

EH-200 STANDARD FEATURES

- Interior Baffle Arrangement:
 - Fixed baffles (standard)
- Exhaust Collar:
 - Type 304 s/s - 10"Dia. Round (standard)
 - Other _____
- Interior Lighting Fixture:
 - Standard T-8 Vapor Proof Flour. Light w/ Bulbs (standard)
- Sash Frame & Glass:
 - Painted Steel Frame w/ Laminated Safety Glass (standard)
- Airfoil:
 - Painted Steel (standard)
- Sash Type:
 - Vertical (standard)
- Additional Feature:
 - Interlocking Sash
 - Pre-Piping / Pre-Wiring (standard)
 - All hoods are pre-wired & pre-piped unless other wise noted

OPTIONAL ACCESSORIES

- Lattice Assembly:
 - None
 - Aluminum Lattice Assembly
 - Stainless Steel Assembly
- Interior Lighting Fixture:
 - Explosion Proof Light
- Fume Hood Alarm Option:
 - Alarm Tel AFA_500
 - Alarm Tel AFA_1000
 - VAV Cutout (Customer provide cutout detail)
- Sash Frame & Glass:
 - Stainless Steel Frame w/ Laminated Safety Glass
- Airfoil:
 - Type 304 Stainless Steel
 - Type 316 Stainless Steel
- Trough:
 - None (standard)
 - Painted Steel
 - Type 304 Stainless Steel
 - Type 316 Stainless Steel
- Ceiling Enclosure:
 - Yes (Height: _____) No
- Finished Back:
 - Yes No
- Sash Type:
 - Combination
 - Horizontal
 - Interlocking
- Additional Options:
 - Light Switch (3-Way) Add Air Chamber
 - Blower Switch (3-Way) Sash Alarm
 - Blower Sash Locks
 - Sash Stops Automatic Sash Return
 - Push Button Sash Stop Sash Cap
- Pass Through Cord Ports _____ Non Required
 - 1 1/2" Dia. Front Post Cord Ports
 - _____ Dia. Slide Panel Cord Ports (please specify size)
- Service Fixture Type:
 - Ball valve w/ lever handles
 - Needle valve w/ four-arm handle
 - Front mount valve w/ four-arm handle
 - Special Plumbing Requirements: _____



AIR MASTER SYSTEMS CORP
 6480 NORTON CENTER DR.
 MUSKEGON, MI 49441
 TEL. (231) 798-1111 FAX (231) 798-4000
 WWW.AIRMASTERSYSTEMS.COM

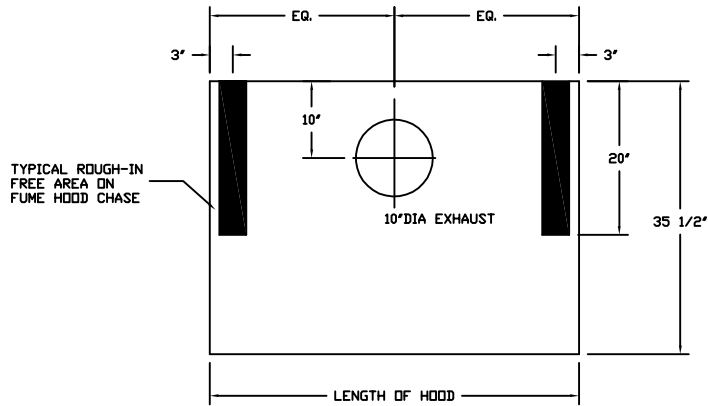
CUSTOMER

QTY: _____

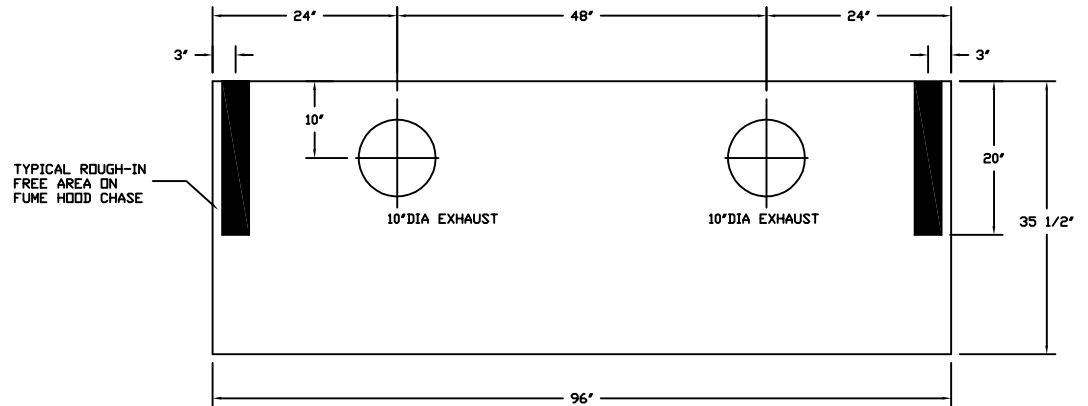
COLOR: _____

THE ELIMINATOR 200 SERIES: DOUBLE FACED 100 SERIES

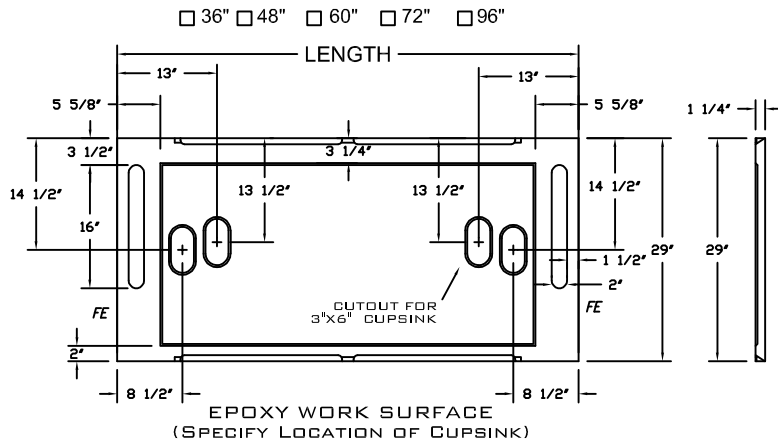
APPLICATIONS: K-12; HIGHER EDUCATION; INDUSTRIAL; BIO TECH / R&D



SERVICE ROUGH-IN DETAIL
(SPECIFICALLY FOR 3', 4', 5', & 6' HOODS)



SERVICE ROUGH-IN DETAIL
(SPECIFICALLY FOR 8' HOODS)



EPOXY WORK SURFACE
(SPECIFY LOCATION OF CUPSINK)


NOTE: IF ACID / FLAMMABLE CABINETS ARE
REQUIRE - CUPSINKS LOCATIONS WILL VARY,
PLEASE CONTACT AMS FOR DETAILS.

CUPSINK OPTIONS:

- 3" X 6" 1/4" RAISED RIM
- 3" X 9"
- OTHER _____
- NONE

PART NO.	SUPERSTRUCTURE			WORKTOP			HOOD OPENING		CFM @ 29' *	CFM @ 18' *	SP
	W	H	D	W	H	D	W	H			
EH-211-36	36"	56"	35-1/2"	36"	1-1/4"	29"	26"	29"	567	354	.25
EH-211-48	48"	56"	35-1/2"	48"	1-1/4"	29"	38"	29"	833	521	.33
EH-211-60	60"	56"	35-1/2"	60"	1-1/4"	29"	50"	29"	1100	688	.34
EH-211-72	72"	56"	35-1/2"	72"	1-1/4"	29"	62"	29"	1367	854	.34
EH-211-96	96"	56"	35-1/2"	96"	1-1/4"	29"	86"	29"	1900	1188	.40

*HEIGHT OF OPEN SASH; CFM CALCULATED AT 100 FPM WITH ONE SASH OPEN

	AIR MASTER SYSTEMS CORP 6480 NORTON CENTER DR. MUSKEGON, MI 49441 <small>TEL (231) 798-1111 FAX (231) 798-4000 WWW.AIRMASTERSYSTEMS.COM</small>	CUSTOMER _____	QTY: _____ COLOR: _____
---	--	----------------	--------------------------------