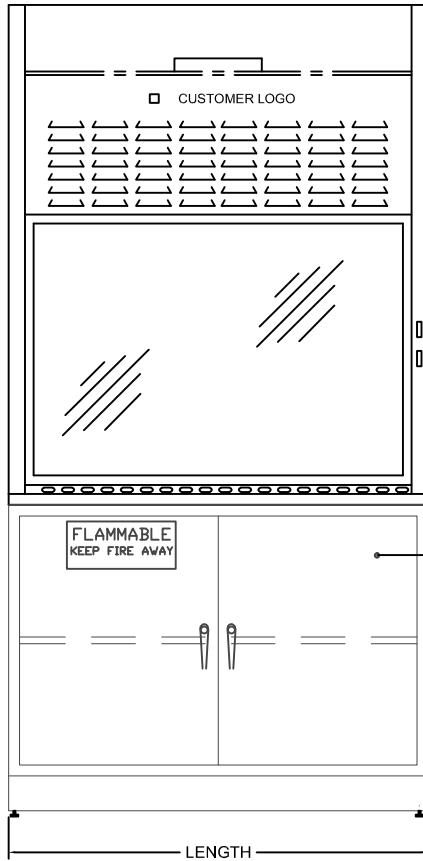


**THE ELIMINATOR 300 SERIES: THIN WALL**  
 APPLICATIONS: K-MIDDLE SCHOOL

**EH-300  
 STANDARD FEATURES**

- Interior Baffle Arrangement:  
 Fixed baffles (standard)  
 Exhaust Collar:  
 Type 304 s/s - 10"Dia. Round (standard)  
 Other \_\_\_\_\_  
 Interior Lighting Fixture:  
 Standard T-8 Vapor Proof Flour. Light w/ Bulbs (standard)  
 Sash Frame & Glass:  
 Painted Steel Frame w/ Laminated Safety Glass (standard)  
 Sash Type:  
 Vertical (standard)

**\*\* DECK MOUNT PLUMBING FIXTURES AVAILABLE**



**BASE CABINETS OPTIONS:**

ACID CABINET	___"W x ___"H x ___"D
FLAMMABLE CABINET	___"W x ___"H x ___"D
VACUUM PUMP CABINET	___"W x ___"H x ___"D
HOOD BASE FRAME	___"W x ___"H x ___"D
SINK BASE CABINET	___"W x ___"H x ___"D

NOTE: 18" DEEP FLAMMABLE AND/OR ACID CABINET IS NEEDED IF DECK MOUNT FIXTURES ARE REQUIRED

**CABINET PULL OPTIONS:**

- BRUSHED ALUMINUM BAR STYLE
- BRUSHED STEEL WIRE STYLE
- BRUSHED ALUMINUM RECESS STYLE
- BLACK RECESS STYLE
- STAINLESS STEEL WIRE STYLE

**WORK SURFACE MATERIAL:**

- Black Epoxy (standard) Other Color: \_\_\_\_\_
- Type 304 Stainless Steel
- Type 316 Stainless Steel
- No Worksurface Required

**LINER MATERIAL:**

- POLY RESIN (standard)
- 304 STAINLESS STEEL
- 316 STAINLESS STEEL
- PVC
- SPECIAL

**PRE-WIRED:**

- YES
- NO (ELECT. SHIPPED LOOSE)


**BY-PASS TYPE:**

- OPEN BY-PASS (standard)
- RESTRICTED BY PASS

SPECIAL REQUIREMENTS: \_\_\_\_\_  
 \_\_\_\_\_  
 \_\_\_\_\_

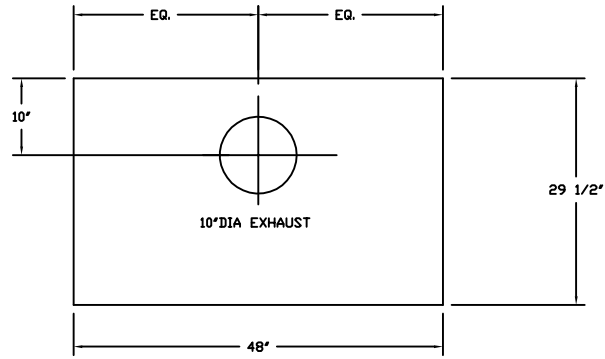
**OPTIONAL ACCESSORIES**

- Lattice Assembly:  
 None  
 Aluminum Lattice Assembly  
 Stainless Steel Assembly  
 Interior Lighting Fixture:  
 Explosion Proof Light  
 Fume Hood Alarm Option:  
 Alarm Tel AFA\_500  
 Alarm Tel AFA\_1000  
 Sash Frame & Glass:  
 Stainless Steel Frame w/ Laminated Safety Glass  
 Ceiling Enclosure:  
 Yes (Height: \_\_\_\_\_)  No  
 Finished Back:  
 Yes  No  
 Sash Type:  
 Combination  
 Horizontal  
 Interlocking  
 Additional Options:  
 Blower  Sash Locks  
 Sash Stops  Sash Alarm  
 Push Button Sash Stop  Add Air Chamber  
 Automatic Sash Return  Sash Cap  
**\*\* Specify Service Fixtures (Deck Mounted Type):**  
 \_\_\_\_\_  
 \_\_\_\_\_

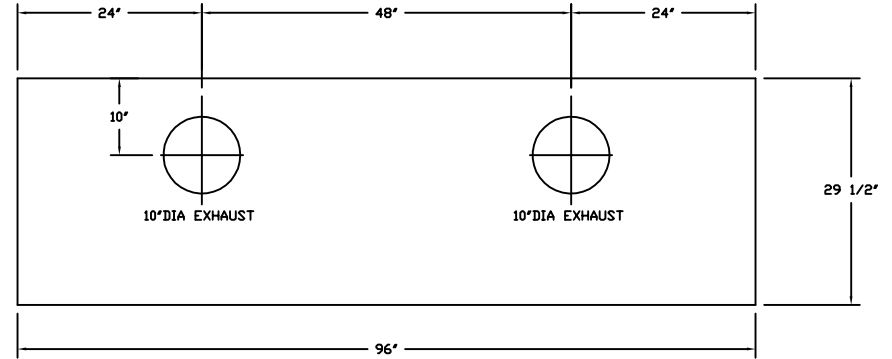
	<b>AIR MASTER SYSTEMS CORP</b> 6480 NORTON CENTER DR. MUSKEGON, MI 49441 <small>TEL. (231) 798-1111 FAX (231) 798-4000                  WWW.AIRMASTERSYSTEMS.COM</small>	CUSTOMER	QTY: _____  COLOR: _____
---	---	----------	--------------------------------

# THE ELIMINATOR 300 SERIES: THIN WALL

APPLICATIONS: K-MIDDLE SCHOOL

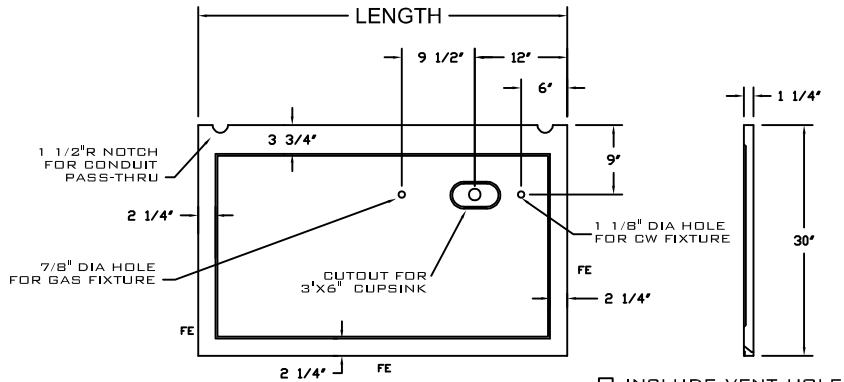


SERVICE ROUGH-IN DETAIL  
(SPECIFICALLY FOR 3', 4', 5', & 6' HOODS)



SERVICE ROUGH-IN DETAIL  
(SPECIFICALLY FOR 8' HOODS)

36"  48"  60"  72"  96"



EPOXY WORK SURFACE  
(SPECIFY LOCATION OF CUPSINK)

LEFT SIDE  RIGHT SIDE

### CUPSINK OPTIONS:

- 3" X 6"       1/4" RAISED RIM
- 3" X 9"
- OTHER \_\_\_\_\_
- NONE

PART NO.	SUPERSTRUCTURE			WORKTOP			HOOD OPENING		CFM @ 28" *	CFM @ 18" *	SP
	W	H	D	W	H	D	W	H			
EH-311-36	36"	56"	29-1/2"	36"	1-1/4"	30"	26"	28"	646	431	.25
EH-311-48	48"	56"	29-1/2"	48"	1-1/4"	30"	43"	28"	896	597	.25
EH-311-60	60"	56"	29-1/2"	60"	1-1/4"	30"	55"	28"	1146	764	.39
EH-311-72	72"	56"	29-1/2"	72"	1-1/4"	30"	67"	28"	1417	944	.37
EH-311-96	96"	56"	29-1/2"	96"	1-1/4"	30"	91"	28"	1896	1264	.43

\*HEIGHT OF OPEN SASH; CFM CALCULATED AT 100 FPM



AIR MASTER SYSTEMS CORP  
6480 NORTON CENTER DR.  
MUSKEGON, MI 49441  
TEL. (231) 798-1111 FAX (231) 798-4000  
WWW.AIRMASTERSYSTEMS.COM

CUSTOMER

QTY: \_\_\_\_\_

COLOR: \_\_\_\_\_