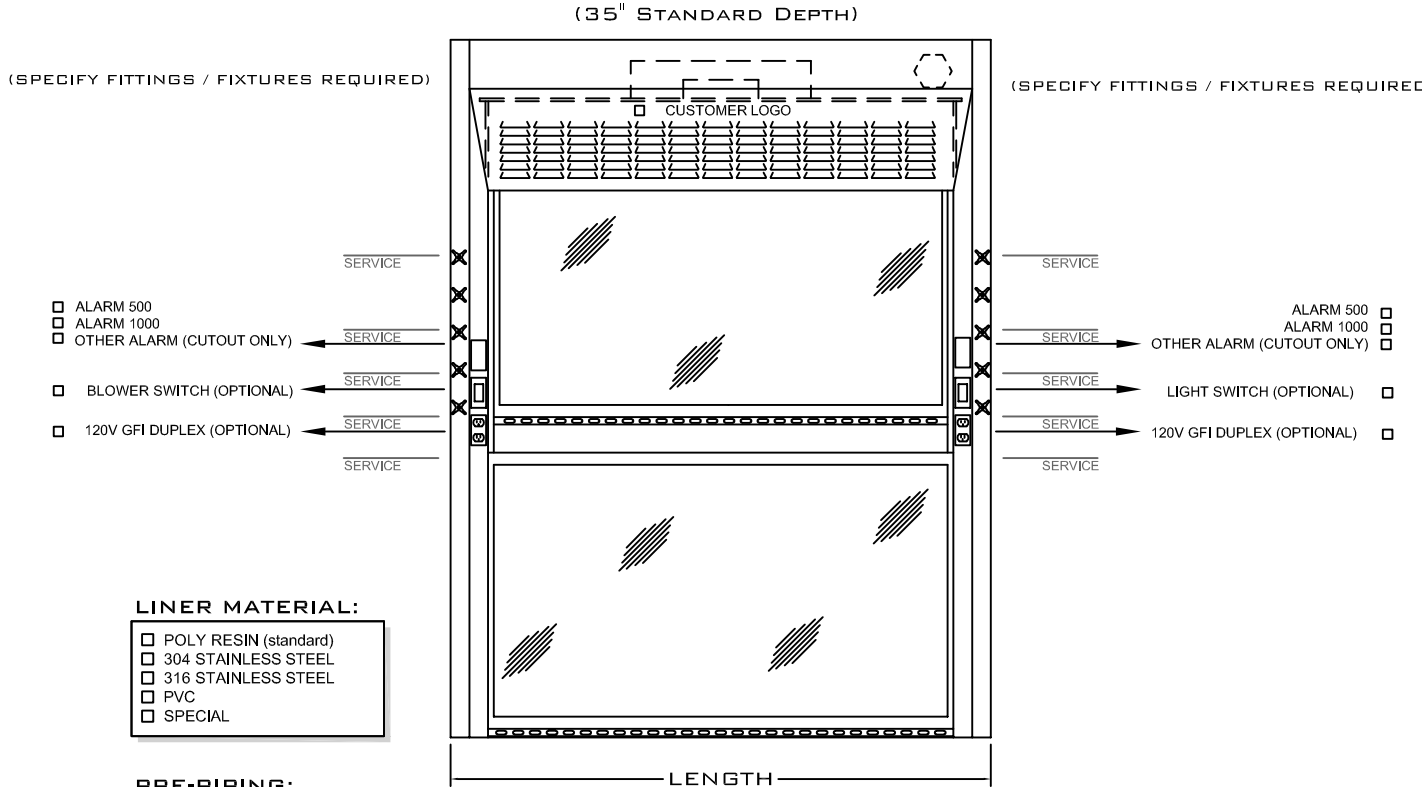


THE ELIMINATOR 400 SERIES: WALK-IN HOOD

APPLICATIONS: UNIVERSITY; RESEARCH; PRIVATE INDUSTRY

EH-400 STANDARD FEATURES

- Interior Baffle Arrangement:
 - Fixed baffles (standard)
- Exhaust Collar:
 - Type 304 s/s - 10" Dia. Round (standard)
 - Other _____
- Interior Lighting Fixture:
 - Standard T-8 Vapor Proof Flour. Light w/ Bulbs (standard)
- Sash Frame & Glass:
 - Painted Steel Frame w/ Laminated Safety Glass (standard)
- Sash Type:
 - Vertical (standard)
- Pre-Piping / Pre-Wiring (standard)
 - All hoods are pre-wired & pre-piped unless other wise noted



- ALARM 500
- ALARM 1000
- OTHER ALARM (CUTOUT ONLY)
- BLOWER SWITCH (OPTIONAL)
- 120V GFI DUPLEX (OPTIONAL)

- ALARM 500
- ALARM 1000
- OTHER ALARM (CUTOUT ONLY)
- LIGHT SWITCH (OPTIONAL)
- 120V GFI DUPLEX (OPTIONAL)

LINER MATERIAL:

- POLY RESIN (standard)
- 304 STAINLESS STEEL
- 316 STAINLESS STEEL
- PVC
- SPECIAL

PRE-PIPING:

- PRE-PIPING UP
- PRE-PIPING DOWN

BY-PASS TYPE:

- OPEN BY-PASS (standard)
- RESTRICTED BY PASS

LENGTH _____

48" 60" 72" 96" 120"

SPECIAL DEPTH REQUIRED YES NO

SPECIFY INTERIOR DEPTH _____

SPECIAL REQUIREMENTS: _____

** FOR PROPER INSTALLATION & FUNCTIONALITY OF FUME HOOD, FLOORING MUST BE LEVELED BY OWNER PRIOR TO DELIVERY OF FUME HOODS.

OPTIONAL ACCESSORIES

- Lattice Assembly:
 - None
 - Plastic Lattice Assembly
 - Aluminum Lattice Assembly
 - Stainless Steel Assembly
- Interior Lighting Fixture:
 - Explosion Proof Light
- Fume Hood Alarm Option:
 - Alarm Tel AFA_500
 - Alarm Tel AFA_1000
 - VAV Cutout (Customer provides cutout detail)
- Sash Frame & Glass:
 - Stainless Steel Frame w/ Laminated Safety Glass
- Ceiling Enclosure:
 - Yes (Height: _____) No
- Sash Type:
 - Combination
 - Horizontal Hanging Doors
 - Interlocking
- Additional Options:

<input type="checkbox"/> Blower	<input type="checkbox"/> Add Air Chamber
<input type="checkbox"/> Sash Stops	<input type="checkbox"/> Panel Mounted Cupsink
<input type="checkbox"/> Sash Locks	<input type="checkbox"/> Stainless Steel Ramp
<input type="checkbox"/> Sash Alarm	<input type="checkbox"/> Epoxy Flooring
<input type="checkbox"/> Sash Cap	
- Pass Through Cord Ports Non Required
 - 1 1/2" Dia. Front Post Cord Ports
 - _____ Dia. Side Panel Cord Ports (please specify size)
- Service Fixture Type:
 - Ball valve w/ lever handle (ADA)
 - Needle valve w/ four-arm handle
 - Front mount valve w/ four-arm handle
 - Special plumbing requirements: _____

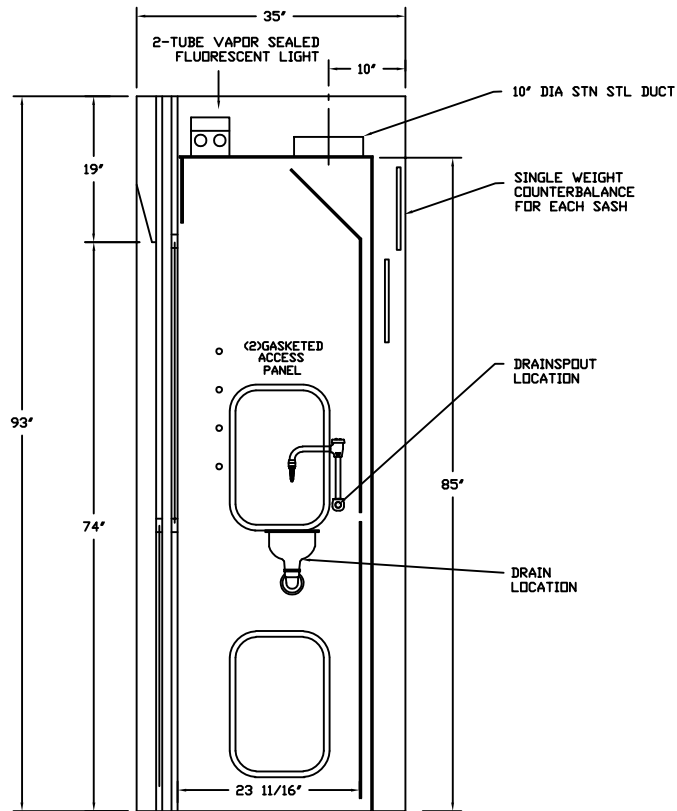
	AIR MASTER SYSTEMS CORP 6480 NORTON CENTER DR. MUSKEGON, MI 49441 <small>TEL. (231) 798-1111 FAX (231) 798-4000 WWW.AIRMASTERSYSTEMS.COM</small>	CUSTOMER _____	QTY: _____ COLOR: _____
--	---	----------------	--------------------------------

THE ELIMINATOR 400 SERIES: WALK-IN HOOD

APPLICATIONS: UNIVERSITY; RESEARCH; PRIVATE INDUSTRY

PART NO.	SUPERSTRUCTURE			HOOD OPENING		CFM @ 36" *	CFM @ 72" *	SP
	W	H	D	W	H			
EH-411-48	48"	93"	35"	38"	72"	990	1979	.25
EH-411-60	60"	93"	35"	50"	72"	1306	2613	.34
EH-411-72	72"	93"	35"	62"	72"	1623	3246	.34
EH-411-96	96"	93"	35"	86"	72"	2256	4513	.34

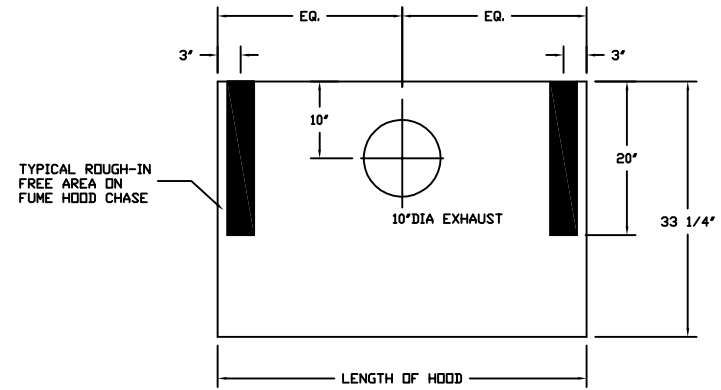
*HEIGHT OF OPEN SASH; CFM CALCULATED AT 100 FPM



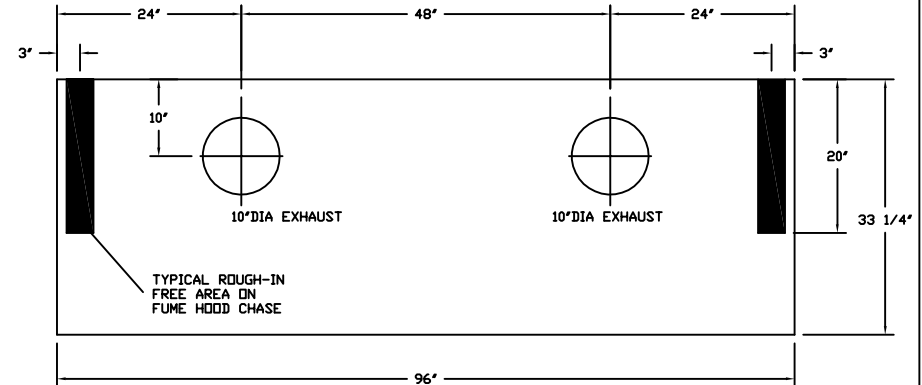
VERTICAL SECTION

CUPSINK OPTION:

YES NO



SERVICE ROUGH-IN DETAIL
(SPECIFICALLY FOR 4', 5', & 6' HOODS)



SERVICE ROUGH-IN DETAIL
(SPECIFICALLY FOR 8' HOODS)



AIR MASTER SYSTEMS CORP
6480 NORTON CENTER DR.
MUSKEGON, MI 49441

TEL (231) 798-1111 FAX (231) 798-4000
WWW.AIRMASTERSYSTEMS.COM

CUSTOMER

QTY: _____

COLOR: _____