

THE ELIMINATOR 500 SERIES: ADA DESIGN

APPLICATIONS: K-12; UNIVERSITY; PRIVATE INDUSTRY

EH-500 STANDARD FEATURES

- Interior Baffle Arrangement:
 Fixed baffles (standard)
 Exhaust Collar:
 Type 304 s/s - 10"Dia. Round (standard)
 Other _____
 Interior Lighting Fixture:
 Standard T-8 Vapor Proof Flour. Light w/ Bulbs (standard)
 Sash Frame & Glass:
 Painted Steel Frame w/ Laminated Safety Glass (standard)
 Airfoil:
 Painted Steel (standard)
 Trough:
 Painted Steel (standard)
 Sash Type:
 Vertical (standard)
 Also Included:
 Sash Stop
 1/4 Turn Ball Valve Fixtures w/ Lever Handles (specify fixtures)
 Pre-Piping / Pre-Wiring (standard)
 All hoods are pre-wired & pre-piped unless other wise noted

OPTIONAL ACCESSORIES

- Lattice Assembly:
 None
 Aluminum Lattice Assembly
 Stainless Steel Assembly
 Interior Lighting Fixture:
 Explosion Proof Light
 Fume Hood Alarm Option:
 Alarm Tel AFA_500
 Alarm Tel AFA_1000
 VAV Cutout (Customer provides cutout detail)
 Sash Type:
 Combination Sash (Horizontal/Vertical)
 Sash Frame & Glass:
 Stainless Steel Frame w/ Laminated Safety Glass
 Airfoil:
 Type 304 Stainless Steel
 Type 316 Stainless Steel
 Trough:
 None
 Type 304 Stainless Steel
 Type 316 Stainless Steel
 Ceiling Enclosure:
 Yes (Height: _____) No
 Finished Back:
 Yes No
 Sash Type:
 Combination
 Horizontal
 Interlocking
 Additional Options:
 Blower Restricted By Pass
 Sash Alarm Add Air Chamber
 Push Button Sash Stop Sash Locks
 Automatic Sash Return Electronic Sash Closer
 Sash Cap
Pass Through Cord Ports Non Required
 1 1/2" Dia. Front Post Cord Ports
 _____ Dia. Side Panel Cord Ports (please specify size)

(SPECIFY FITTINGS / FIXTURES REQUIRED)

(SPECIFY FITTINGS / FIXTURES REQUIRED)

- ALARM 500
- ALARM 1000
- OTHER ALARM (CUTOUT ONLY)

- ALARM 500
- ALARM 1000
- OTHER ALARM (CUTOUT ONLY)

- BLOWER SWITCH (OPTIONAL)
- 120V GFI DUPLEX (OPTIONAL)

- LIGHT SWITCH (OPTIONAL)
- 120V GFI DUPLEX (OPTIONAL)

LINER MATERIAL:

- POLY RESIN (standard)
- 304 STAINLESS STEEL
- 316 STAINLESS STEEL
- PVC
- SPECIAL

PRE-PIPING:

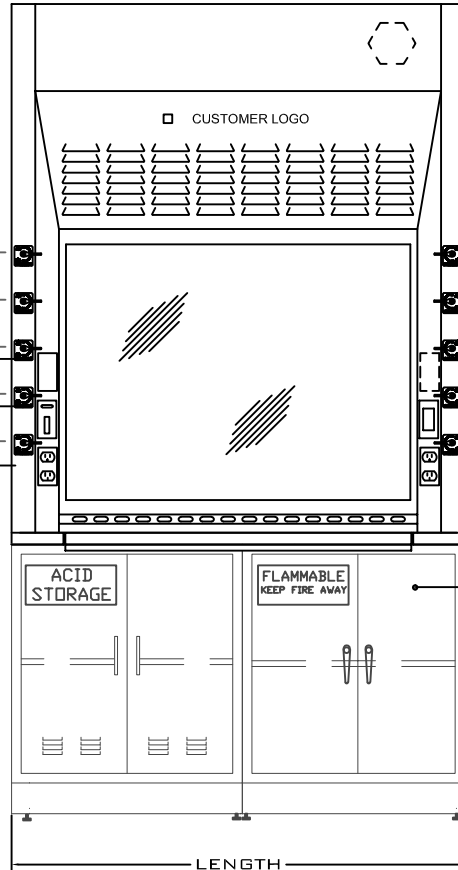
- PRE-PIPING UP
- PRE-PIPING DOWN

BY-PASS TYPE:

- OPEN BY-PASS (standard)
- RESTRICTED BY PASS

OPTIONAL FH DEPTH:

- 39.25" deep w/ 36"d epoxy dished top



BASE CABINETS OPTIONS:

ACID CABINET	___"W x ___"H x ___"D
FLAMMABLE CABINET	___"W x ___"H x ___"D
VACUUM PUMP CABINET	___"W x ___"H x ___"D
HOOD BASE FRAME	___"W x ___"H x ___"D
SINK BASE CABINET	___"W x ___"H x ___"D

CABINET PULL OPTIONS:

- BRUSHED ALUMINUM BAR STYLE
- BRUSHED STEEL WIRE STYLE
- BRUSHED ALUMINUM RECESS STYLE
- BLACK RECESS STYLE
- STAINLESS STEEL WIRE STYLE

WORK SURFACE MATERIAL:

- Black Epoxy (standard) Other Color: _____
- Type 304 Stainless Steel
- Type 316 Stainless Steel
- No Worksurface Required

SPECIAL REQUIREMENTS: _____



AIR MASTER SYSTEMS CORP
 6480 NORTON CENTER DR.
 MUSKEGON, MI 49441
 TEL. (231) 798-1111 FAX (231) 798-4000
 WWW.AIRMASTERSYSTEMS.COM

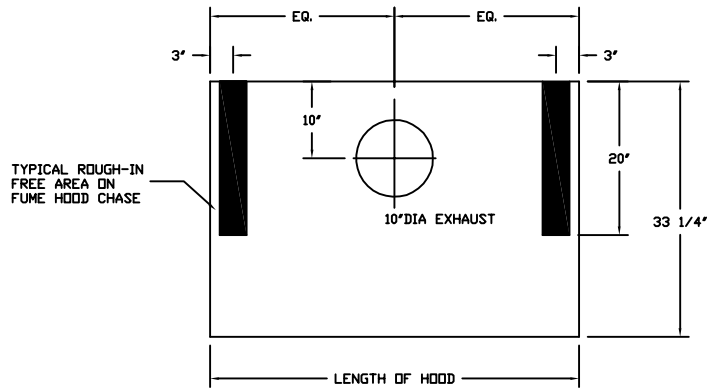
CUSTOMER

QTY: _____

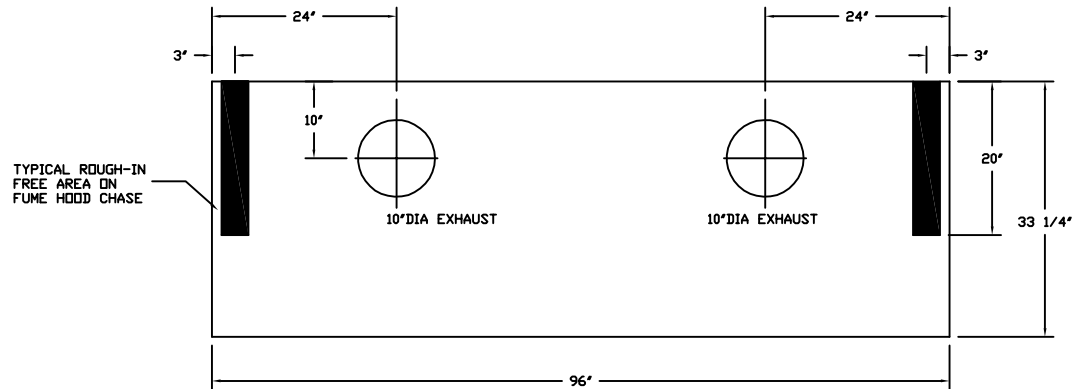
COLOR: _____

THE ELIMINATOR 500 SERIES: ADA DESIGN

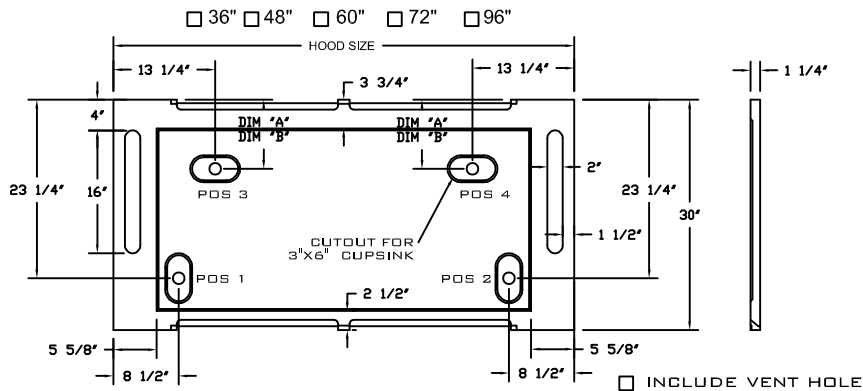
APPLICATIONS: K-12; UNIVERSITY; PRIVATE INDUSTRY



SERVICE ROUGH-IN DETAIL
(SPECIFICALLY FOR 3', 4', 5', & 6' HOODS)



SERVICE ROUGH-IN DETAIL
(SPECIFICALLY FOR 8' HOODS)



EPOXY WORK SURFACE
(SPECIFY LOCATION OF CUPSINK)

- DIM "A" = 9" (UTILIZED WITH 18" DEEP CABINETS)
- DIM "B" = 5-1/4" (UTILIZED WITH 22" DEEP CABINETS)

CUPSINK OPTIONS:

- 3" X 6" 1/4" RAISED RIM
- 3" X 9"
- OTHER _____
- NONE

PART NO.	SUPERSTRUCTURE			WORKTOP			HOOD OPENING		CFM @ 29"*	CFM @ 18"*	SP
	W	H	D	W	H	D	W	H			
EH-511-36	36"	56"	33-1/4"	36"	1-1/4"	30"	26"	29"	567	354	.25
EH-511-48	48"	56"	33-1/4"	48"	1-1/4"	30"	38"	29"	833	521	.25
EH-511-60	60"	56"	33-1/4"	60"	1-1/4"	30"	50"	29"	1100	688	.34
EH-511-72	72"	56"	33-1/4"	72"	1-1/4"	30"	62"	29"	1367	854	.34
EH-511-96	96"	56"	33-1/4"	96"	1-1/4"	30"	86"	29"	1900	1188	.40
EH-511-120	120"	56"	33-1/4"	120"	1-1/4"	30"	110"	29"	2215	1375	.45
** EH-511-144	144"	56"	33-1/4"	144"	1-1/4"	30"	129"	29"	2598	1613	.45

* HEIGHT OF OPEN SASH; CFM CALCULATED AT 100 FPM
** STANDARD SPLIT SASH INCLUDED

	AIR MASTER SYSTEMS CORP 6480 NORTON CENTER DR. MUSKEGON, MI 49441 <small>TEL (231) 798-1111 FAX (231) 798-4000 WWW.AIRMASTERSYSTEMS.COM</small>	CUSTOMER _____ QTY: _____ COLOR: _____
--	--	--