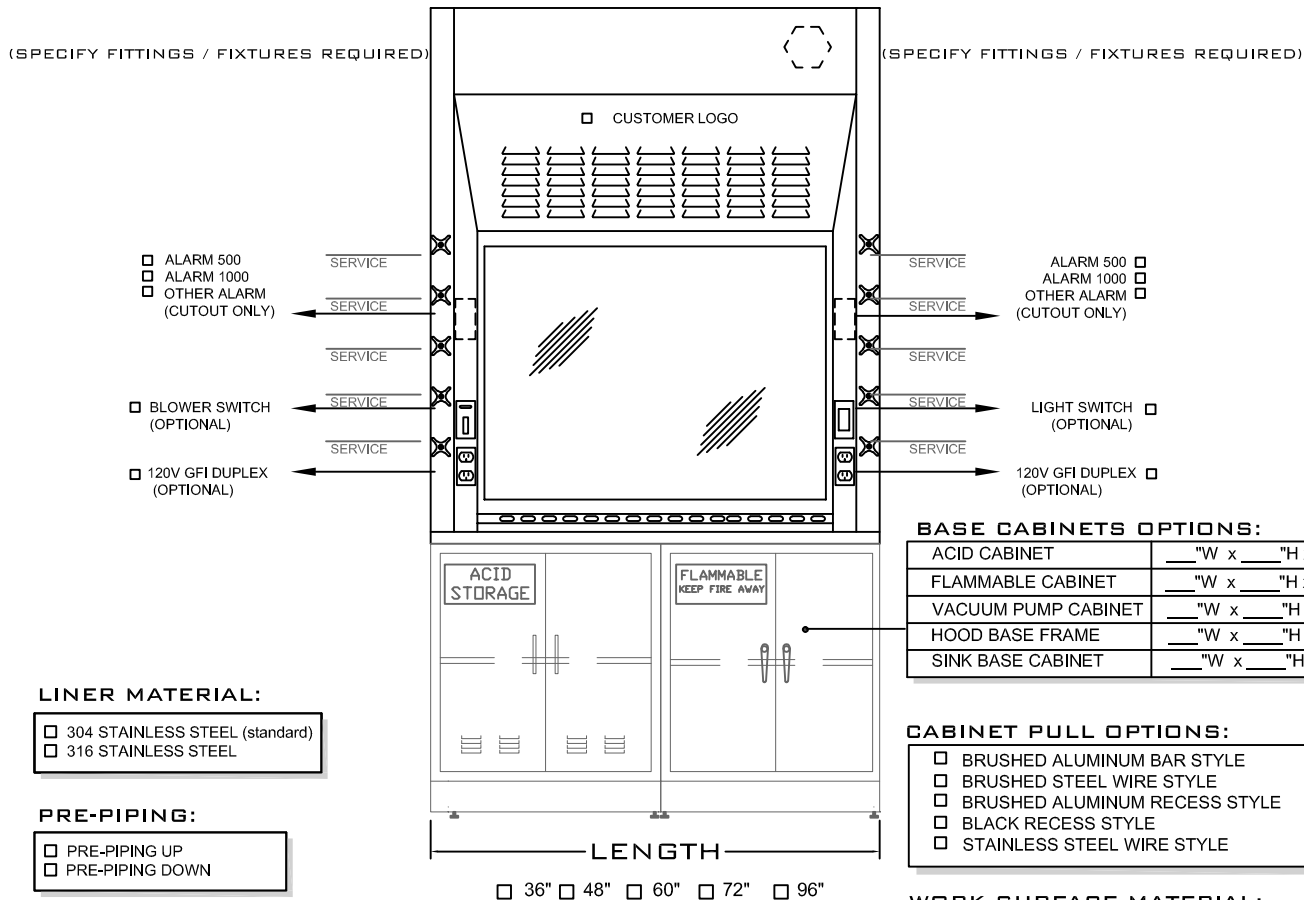


THE ELIMINATOR 600 SERIES: RADIO ISOTOPE HOOD

APPLICATIONS: K-12; UNIVERSITY; PRIVATE INDUSTRY

EH-600 STANDARD FEATURES

- Interior Baffle Arrangement:
 Fixed baffles (standard)
 Exhaust Collar:
 Type 304 s/s - 10" Dia. Round (standard)
 Other _____
 Interior Lighting Fixture:
 Standard T-8 Vapor Proof Flour. Light w/ Bulbs (standard)
 Sash Frame & Glass:
 Stainless Steel Frame w/ Laminated Safety Glass (standard)
 Sash Type:
 Vertical (standard)
 Additional Features:
 Stainless Steel Airfoil
 Type 304 Stn. Stl. one-piece integral work surface & liner
 Pre-Piping / Pre-Wiring (standard)
 All hoods are pre-wired & pre-piped unless other wise noted



LINER MATERIAL:

- 304 STAINLESS STEEL (standard)
- 316 STAINLESS STEEL

PRE-PIPING:

- PRE-PIPING UP
- PRE-PIPING DOWN

BY-PASS TYPE:

- OPEN BY-PASS (standard)
- RESTRICTED BY PASS

SPECIAL REQUIREMENTS: _____

OPTIONAL ACCESSORIES

- Lattice Assembly:
 None
 Aluminum Lattice Assembly
 Stainless Steel Assembly
 Interior Lighting Fixture:
 Explosion Proof Light
 Fume Hood Alarm Option:
 Alarm Tel AFA_500
 Alarm Tel AFA_1000
 VAV Cutout (Customer provides cutout detail)
 Sash Type:
 Combination Sash (Horizontal/Vertical)
 Horizontal
 Interlocking
 Sash Frame & Glass:
 Stainless Steel Frame w/ Laminated Safety Glass
 Airfoil:
 Type 304 Stainless Steel
 Type 316 Stainless Steel
 Trough:
 None (standard)
 Type 304 Stainless Steel
 Type 316 Stainless Steel
 Ceiling Enclosure:
 Yes (Height: _____) No
 Finished Back:
 Yes No
 Additional Options:
 Blower Add Air Chamber
 Push Button Sash Sash Alarm
 Automatic Sash Return Sash Locks
 Sash Cap
 Service Fixture Type:
 Ball valve w/ lever handle (ADA)
 Needle valve w/ four-arm handle
 Front mount valve w/ four-arm handle
 Special plumbing requirements: _____



AIR MASTER SYSTEMS CORP
 6480 NORTON CENTER DR.
 MUSKEGON, MI 49441
 TEL. (231) 798-1111 FAX (231) 798-4000
 WWW.AIRMASTERSYSTEMS.COM

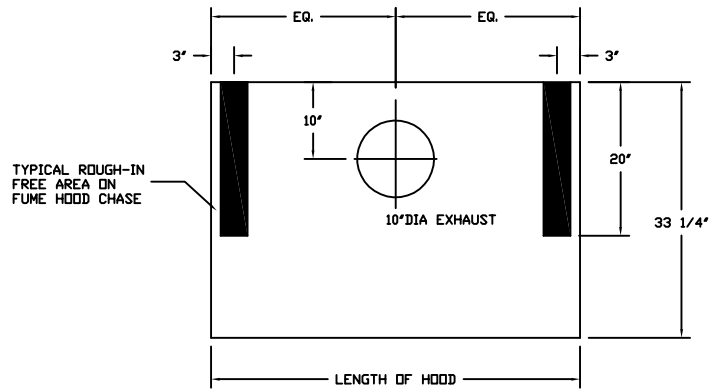
CUSTOMER

QTY: _____

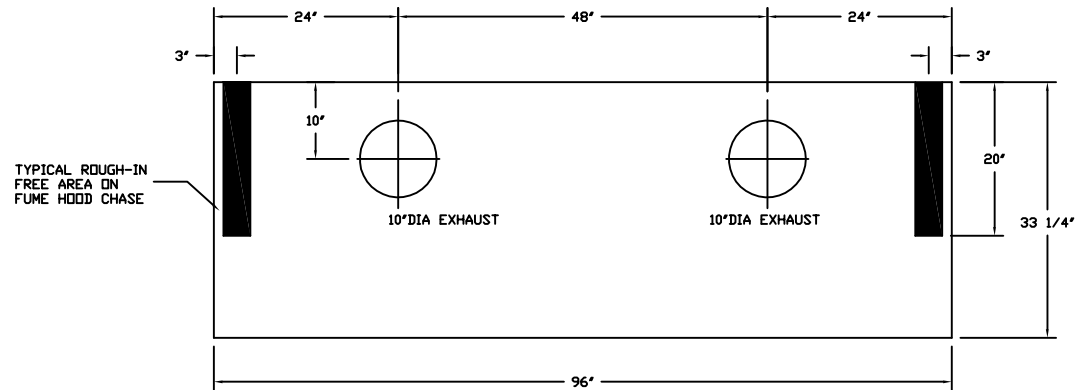
COLOR: _____

THE ELIMINATOR 600 SERIES: RADIO ISOTOPE HOOD

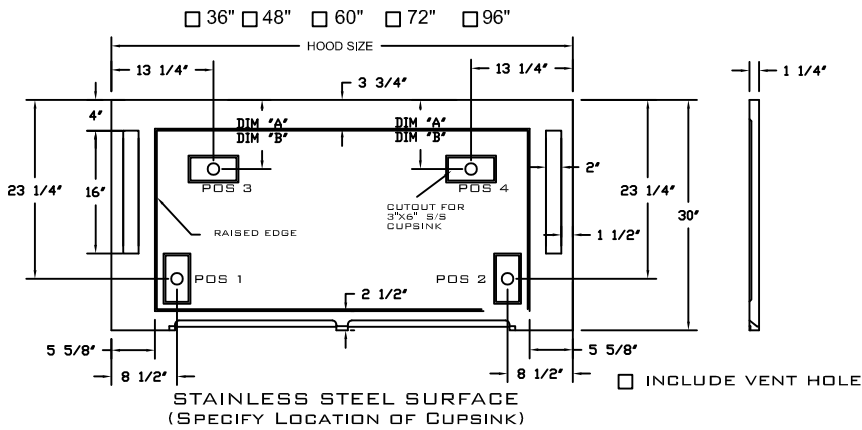
APPLICATIONS: K-12; UNIVERSITY; PRIVATE INDUSTRY



SERVICE ROUGH-IN DETAIL
(SPECIFICALLY FOR 3', 4', 5', & 6' HOODS)



SERVICE ROUGH-IN DETAIL
(SPECIFICALLY FOR 8' HOODS)



- DIM "A" = 9" (UTILIZED WITH 18" DEEP CABINETS)
- DIM "B" = 5-1/4" (UTILIZED WITH 22" DEEP CABINETS)

CUPSINK OPTIONS:

- 3" X 6"
- 3" X 9"
- OTHER _____
- NONE
- 1/4" RAISED RIM

PART NO.	SUPERSTRUCTURE			WORKTOP			HOOD OPENING		CFM @ 29" *	CFM @ 18" *	SP
	W	H	D	W	H	D	W	H			
EH-611-36	36"	56"	33-1/4"	36"	1-1/4"	30"	26"	29"	567	354	.25
EH-611-48	48"	56"	33-1/4"	48"	1-1/4"	30"	38"	29"	833	521	.25
EH-611-60	60"	56"	33-1/4"	60"	1-1/4"	30"	50"	29"	1100	688	.34
EH-611-72	72"	56"	33-1/4"	72"	1-1/4"	30"	62"	29"	1367	854	.34
EH-611-96	96"	56"	33-1/4"	96"	1-1/4"	30"	86"	29"	1900	1188	.40

*HEIGHT OF OPEN SASH; CFM CALCULATED AT 100 FPM

	AIR MASTER SYSTEMS CORP 6480 NORTON CENTER DR. MUSKEGON, MI 49441 <small>TEL (231) 798-1111 FAX (231) 798-4000 WWW.AIRMASTERSYSTEMS.COM</small>	CUSTOMER	QTY: _____ COLOR: _____
--	--	----------	--------------------------------