

THE ELIMINATOR 700 SERIES: PERCHLORIC ACID HOOD

APPLICATIONS: K-12; UNIVERSITY; PRIVATE INDUSTRY

EH-700 STANDARD FEATURES

- Interior Baffle Arrangement:
Fixed baffles (standard)
- Exhaust Collar:
S/S - 10" Dia. Round (standard)
Other _____
- Interior Lighting Fixture:
✓ Standard T-8 Vapor Proof Flour. Light w/ Bulbs (standard)
- Sash Frame & Glass:
✓ Type 316 S/S Frame w/ Laminated Safety Glass (standard)
- Sash Type:
✓ Vertical (standard)
- Additional Features:
✓ Type 316 Stainless Steel Airfoil & Built-In Trough
✓ Type 316 Stn. Stl. one-piece integral work surface & liner
- Pre-Piping / Pre-Wiring (standard)
✓ All hoods are pre-wired & pre-piped unless other wise noted

NOTE: DRAIN IN TROUGH LOCATED ON SAME SIDE AS WASHDOWN

(SPECIFY FITTINGS / FIXTURES REQUIRED)

(SPECIFY FITTINGS / FIXTURES REQUIRED)

- ALARM 500
 - ALARM 1000
 - OTHER ALARM (CUTOUT ONLY)
- ← SERVICE
- BLOWER SWITCH (OPTIONAL)
 - 120V GFI DUPLEX (OPTIONAL)
- ← SERVICE

WASHDOWN

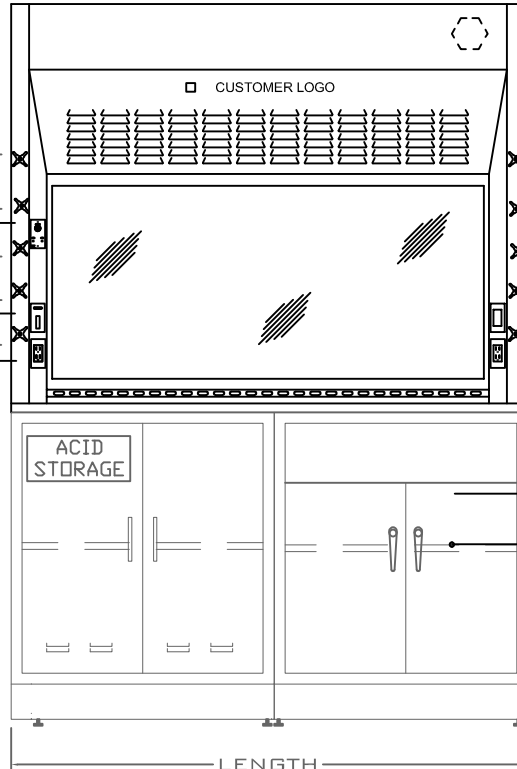
← SERVICE

← SERVICE

← SERVICE

← SERVICE

← SERVICE



WASHDOWN

← SERVICE

← SERVICE

← SERVICE

← SERVICE

← SERVICE

- LIGHT SWITCH (OPTIONAL)
- 120V GFI DUPLEX (OPTIONAL)

BASE CABINETS OPTIONS:

ACID CABINET	___"W x ___"H x ___"D
FLAMMABLE CABINET	___"W x ___"H x ___"D
VACUUM PUMP CABINET	___"W x ___"H x ___"D
HOOD BASE FRAME	___"W x ___"H x ___"D
SINK BASE CABINET	___"W x ___"H x ___"D

INCLUDE ACID CABINET VENT KIT

CABINET PULL OPTIONS:

- BRUSHED ALUMINUM BAR STYLE
- BRUSHED STEEL WIRE STYLE
- BRUSHED ALUMINUM RECESS STYLE
- BLACK RECESS STYLE
- STAINLESS STEEL WIRE STYLE

PRE-PIPING:

- PRE-PIPING UP
- PRE-PIPING DOWN

BY-PASS TYPE:

- OPEN BY-PASS (standard)
- RESTRICTED BY PASS

LENGTH

36" 48" 60" 72" 96"

SPECIAL REQUIREMENTS: _____

OPTIONAL ACCESSORIES

Lattice Assembly:

- None
- Aluminum Lattice Assembly
- Stainless Steel Assembly

Interior Lighting Fixture:

- Explosion Proof Light

Fume Hood Alarm Option:

- Alarm Tel AFA_500
- Alarm Tel AFA_1000
- VAV Cutout (Customer provides cutout detail)

Sash Type:

- Combination Sash (Horizontal/Vertical)

Sash Frame & Glass:

- Stainless Steel Frame w/ Laminated Safety Glass

Ceiling Enclosure:

- Yes (Height: _____) No

Finished Back:

- Yes No

Sash Type:

- Combination (H/V)
- Interlocking

Additional Options:

- Blower Sash Alarm
- Add Air Chamber Sash Locks
- Automatic Sash Return Sash Cap

Pass Through Cord Ports Non Required

- 1 1/2" Dia. Front Post Cord Ports
- ___" Dia. Side Panel Cord Ports (please specify size)

Service Fixture Type:

- Ball valve w/ lever handle (ADA)
- Needle valve w/ four-arm handle
- Front Mount Valve w/ four-arm handle
- Special plumbing requirements: _____

AIR MASTER SYSTEMS CORP

6480 NORTON CENTER DR.
MUSKEGON, MI 49441

TEL. (231) 798-1111 FAX (231) 798-4000
WWW.AIRMASTERSYSTEMS.COM

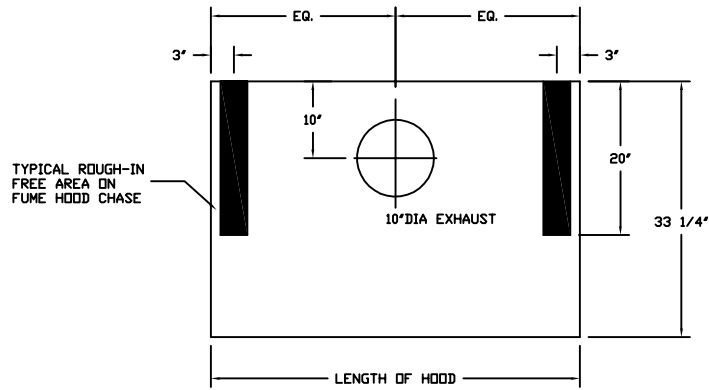
CUSTOMER

QTY: _____

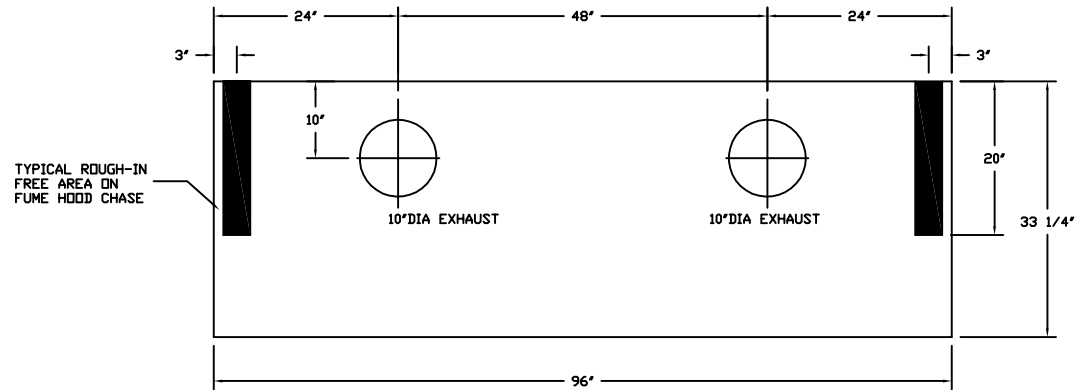
COLOR: _____

THE ELIMINATOR 700 SERIES: PERCHLORIC ACID HOOD

APPLICATIONS: K-12; UNIVERSITY; PRIVATE INDUSTRY



SERVICE ROUGH-IN DETAIL
(SPECIFICALLY FOR 3', 4', 5', & 6' HOODS)



SERVICE ROUGH-IN DETAIL
(SPECIFICALLY FOR 8' HOODS)

PART NO.	SUPERSTRUCTURE			WORKTOP			HOOD OPENING		CFM @ 29" *	CFM @ 18" *	SP
	W	H	D	W	H	D	W	H			
EH-716-36	36"	56"	33-1/4"	36"	1-1/4"	30"	26"	29"	567	354	.25
EH-716-48	48"	56"	33-1/4"	48"	1-1/4"	30"	38"	29"	833	521	.33
EH-716-60	60"	56"	33-1/4"	60"	1-1/4"	30"	50"	29"	1100	688	.34
EH-716-72	72"	56"	33-1/4"	72"	1-1/4"	30"	62"	29"	1367	854	.34
EH-716-96	96"	56"	33-1/4"	96"	1-1/4"	30"	86"	29"	1900	1188	.40

*HEIGHT OF OPEN SASH; CFM CALCULATED AT 100 FPM



AIR MASTER SYSTEMS CORP
6480 NORTON CENTER DR.
MUSKEGON, MI 49441
TEL: (231) 798-1111 FAX: (231) 798-4000
WWW.AIRMASTERSYSTEMS.COM

CUSTOMER

QTY: _____
COLOR: _____