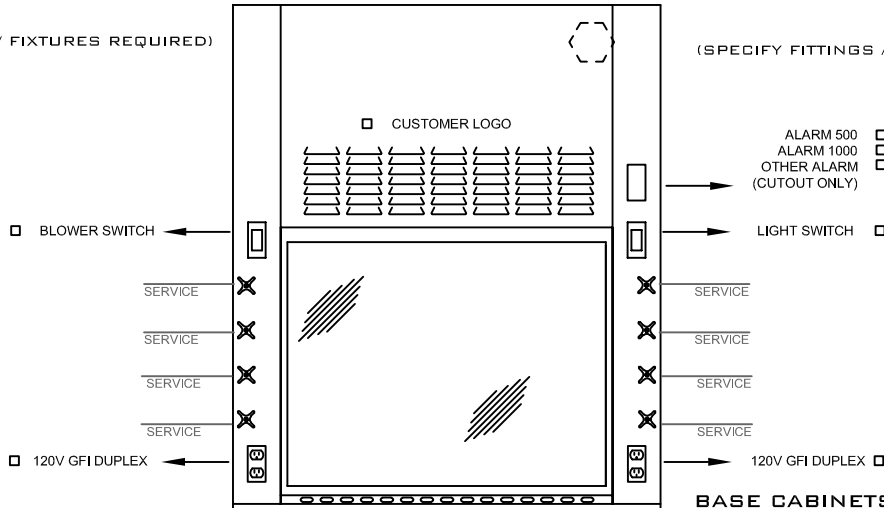


THE ELIMINATOR 800 SERIES: FLAT FRONT HOOD

APPLICATIONS: K-12

(SPECIFY FITTINGS / FIXTURES REQUIRED)

(SPECIFY FITTINGS / FIXTURES REQUIRED)



LINER MATERIAL:

- POLY RESIN (standard)
- 304 STAINLESS STEEL
- 316 STAINLESS STEEL
- PVC
- SPECIAL

PRE-PIPING:

- PRE-PIPING UP
- PRE-PIPING DOWN

LENGTH 36" 48" 60" 72" 96"

BASE CABINETS OPTIONS:

ACID CABINET	___"W x ___"H x ___"D
FLAMMABLE CABINET	___"W x ___"H x ___"D
VACUUM PUMP CABINET	___"W x ___"H x ___"D
HOOD BASE FRAME	___"W x ___"H x ___"D
SINK BASE CABINET	___"W x ___"H x ___"D

CABINET PULL OPTIONS:

- BRUSHED ALUMINUM BAR STYLE
- BRUSHED STEEL WIRE STYLE
- BRUSHED ALUMINUM RECESS STYLE
- BLACK RECESS STYLE
- STAINLESS STEEL WIRE STYLE

WORK SURFACE MATERIAL:

- Black Epoxy (standard) Other Color: _____
- Type 304 Stainless Steel
- Type 316 Stainless Steel
- No Worksurface Required

SPECIAL REQUIREMENTS: _____

**EH-800
STANDARD FEATURES**

- Interior Baffle Arrangement:
 Fixed baffles (standard)
 Exhaust Collar:
 Type 304 s/s - 10"Dia. Round (standard)
 Other _____
 Interior Lighting Fixture:
 Standard T-8 Vapor Proof Flour. Light w/ Bulbs (standard)
 Sash Frame & Glass:
 Painted Steel Frame w/ Laminated Safety Glass (standard)
 Sash Type:
 Vertical (standard)
 Pre-Piping / Pre-Wiring (standard)
 All hoods are pre-wired & pre-piped unless other wise noted

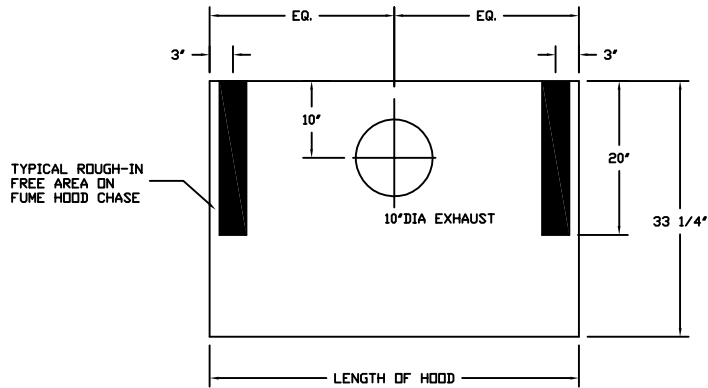
OPTIONAL ACCESSORIES

- Lattice Assembly:
 None
 Plastic Lattice Assembly
 Aluminum Lattice Assembly
 Stainless Steel Assembly
 Interior Lighting Fixture:
 Explosion Proof Light
 Fume Hood Alarm Option:
 Alarm Tel AFA_500
 Alarm Tel AFA_1000
 Sash Frame & Glass:
 Stainless Steel Frame w/ Laminated Safety Glass
 Ceiling Enclosure:
 Yes (Height: _____) No
 Sash Type:
 Combination
 Horizontal
 Interlocking
 Additional Options:
 Blower Sash Locks
 Sash Stops Sash Alarm
 Automatic Sash Return Add Air Chamber
 Sash Cap
Pass Through Cord Ports Non Required
 1 1/2" Dia. Front Post Cord Ports
 ___ Dia. Side Panel Cord Ports (please specify size)
 Service Fixture Type:
 Ball valve w/ lever handle
 Needle valve w/ four-arm handle
 Front mount valve w/ four-arm handle
 Special plumbing requirements: _____

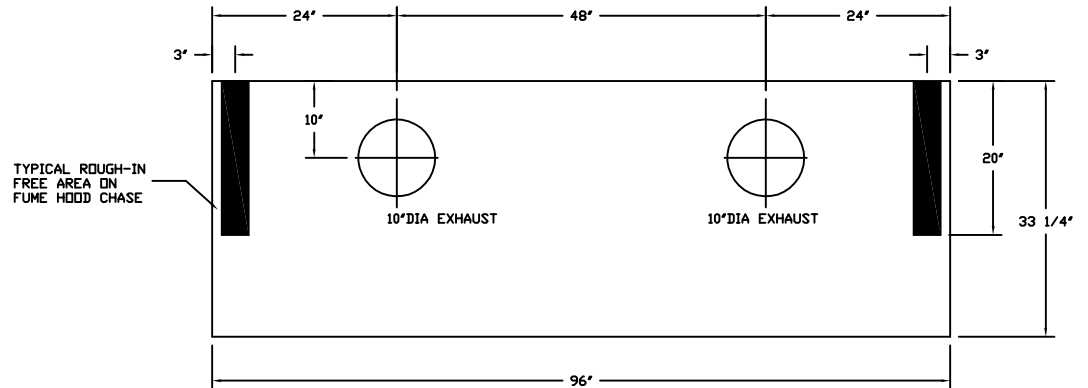
	AIR MASTER SYSTEMS CORP 6480 NORTON CENTER DR. MUSKEGON, MI 49441 TEL. (231) 798-1111 FAX (231) 798-4000 WWW.AIRMASTERSYSTEMS.COM	CUSTOMER _____	QTY: _____ COLOR: _____

THE ELIMINATOR 800 SERIES: FLAT FRONT HOOD

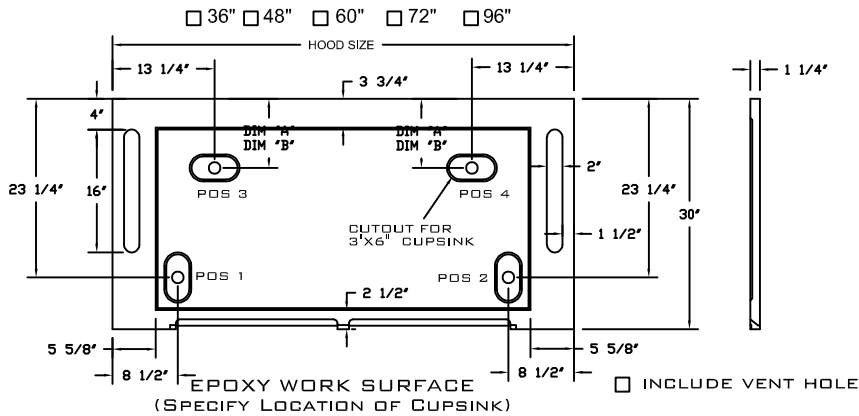
APPLICATIONS: K-12



SERVICE ROUGH-IN DETAIL
(SPECIFICALLY FOR 3', 4', 5', & 6' HOODS)



SERVICE ROUGH-IN DETAIL
(SPECIFICALLY FOR 8' HOODS)



- DIM "A" = 9" (UTILIZED WITH 18" DEEP CABINETS)
- DIM "B" = 5-1/4" (UTILIZED WITH 22" DEEP CABINETS)

CUPSINK OPTIONS:

- 3" X 6" 1/4" RAISED RIM
- 3" X 9"
- OTHER _____
- NONE

PART NO.	SUPERSTRUCTURE			WORKTOP			HOOD OPENING		CFM @ 29" *	CFM @ 18" *	SP
	W	H	D	W	H	D	W	H			
EH-811-36	36"	56"	29-1/2"	36"	1-1/4"	30"	26"	29"	567	354	.25
EH-811-48	48"	56"	29 1/2"	48"	1-1/4"	30"	38"	29"	833	521	.33
EH-811-60	60"	56"	29 1/2"	60"	1-1/4"	30"	50"	29"	1100	688	.34
EH-811-72	72"	56"	29 1/2"	72"	1-1/4"	30"	62"	29"	1367	854	.34
EH-811-96	96"	56"	29 1/2"	96"	1-1/4"	30"	86"	29"	1900	1188	.40

*HEIGHT OF OPEN SASH; CFM CALCULATED AT 100 FPM



AIR MASTER SYSTEMS CORP
6480 NORTON CENTER DR.
MUSKEGON, MI 49441
TEL: (231) 798-1111 FAX: (231) 798-4000
WWW.AIRMASTERSYSTEMS.COM

CUSTOMER

QTY: _____
COLOR: _____