

THE ELIMINATOR HP SERIES: LOW FLOW/ENERGY EFFICIENT

APPLICATIONS: HIGHER EDUCATION; INDUSTRIAL; BIO TECH / R&D

EH-HP STANDARD FEATURES

- Interior Baffle Arrangement:
 - Fixed baffles (standard)
- Exhaust Collar:
 - Type 304 s/s - 10" Dia. Round (standard)
 - Other _____
- Interior Lighting Fixture:
 - Standard T-8 Vapor Proof Flour. Light w/ Bulbs (standard)
- Sash Frame & Glass:
 - Painted Steel Frame w/ Laminated Safety Glass (standard)
- Airfoil:
 - Painted Steel (standard)
- Sash Type:
 - Vertical (standard)
- Pre-Piping / Pre-Wiring (standard)
 - All hoods are pre-wired & pre-piped unless other wise noted

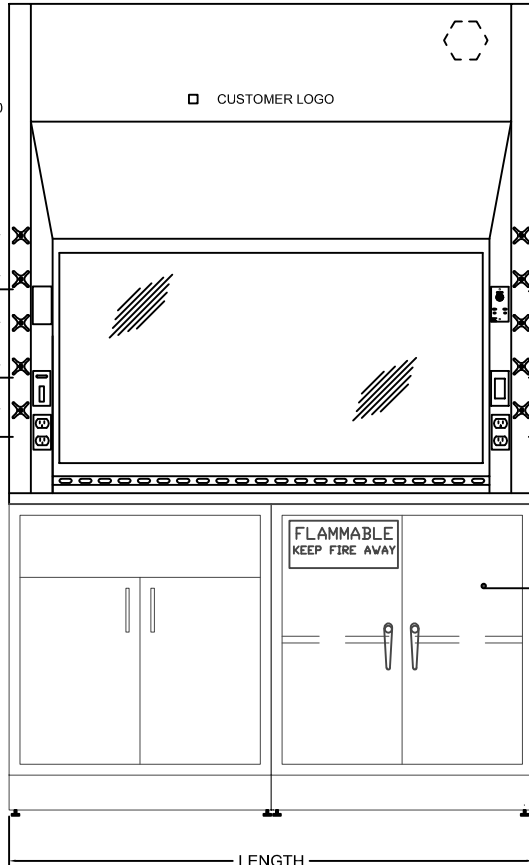
OPTIONAL ACCESSORIES

- Lattice Assembly:
 - None
 - Aluminum Lattice Assembly
 - Stainless Steel Assembly
- Interior Lighting Fixture:
 - Explosion Proof Light
- Fume Hood Alarm Option:
 - Alarm Tel AFA_500
 - Alarm Tel AFA_1000
 - VAV Cutout (Customer provide cutout detail)
- Sash Frame & Glass:
 - Stainless Steel Frame w/ Laminated Safety Glass
- Airfoil:
 - Type 304 Stainless Steel
 - Type 316 Stainless Steel
- Trough:
 - None (standard)
 - Painted Steel
 - Type 304 Stainless Steel
 - Type 316 Stainless Steel
- Ceiling Enclosure:
 - Yes (Height: _____) No
- Finished Back:
 - Yes No
- Sash Type:
 - Combination
 - Horizontal
 - Interlocking
- Additional Options:

<input type="checkbox"/> Blower	<input type="checkbox"/> Sash Alarm
<input type="checkbox"/> Sash Stops	<input type="checkbox"/> Add Air Chamber
<input type="checkbox"/> Push Button Sash Stop	<input type="checkbox"/> Sash Locks
<input type="checkbox"/> Automatic Sash Return	<input type="checkbox"/> Electronic Sash Closer
<input type="checkbox"/> Sash Cap	
- Pass Through Cord Ports
 - 1 1/2" Dia. Front Post Cord Ports
 - _____ Dia. Side Panel Cord Ports (please specify size)
- Service Fixture Type:
 - Ball valve w/ lever handles
 - Needle valve w/ four-arm handle
 - Front Mount Valve w/ four-arm handle
 - Special Plumbing Requirements: _____

(SPECIFY FITTINGS / FIXTURES REQUIRED)

(SPECIFY FITTINGS / FIXTURES REQUIRED)



- ALARM 500
- ALARM 1000
- OTHER ALARM (CUTOUT ONLY)

SERVICE
SERVICE
SERVICE
SERVICE
SERVICE

- BLOWER SWITCH
- 120V GFI DUPLEX

- ALARM 500
- ALARM 1000
- OTHER ALARM (CUTOUT ONLY)

- LIGHT SWITCH
- 120V GFI DUPLEX

BASE CABINETS OPTIONS:

ACID CABINET	___"W x ___"H x ___"D
FLAMMABLE CABINET	___"W x ___"H x ___"D
VACUUM PUMP CABINET	___"W x ___"H x ___"D
HOOD BASE FRAME	___"W x ___"H x ___"D
SINK BASE CABINET	___"W x ___"H x ___"D

CABINET PULL OPTIONS:

- BRUSHED ALUMINUM BAR STYLE
- BRUSHED STEEL WIRE STYLE
- BRUSHED ALUMINUM RECESS STYLE
- BLACK RECESS STYLE
- STAINLESS STEEL WIRE STYLE

WORK SURFACE MATERIAL:

- Black Epoxy (standard) Other Color: _____
- Type 304 Stainless Steel
- Type 316 Stainless Steel

LINER MATERIAL:

- POLY RESIN (standard)
- 304 STAINLESS STEEL
- 316 STAINLESS STEEL
- PVC
- SPECIAL

PRE-PIPING:

- PRE-PIPING UP
- PRE-PIPING DOWN

BY-PASS TYPE:

- OPEN BY-PASS (standard)
- RESTRICTED BY PASS

SPECIAL REQUIREMENTS: _____

48" 60" 72" 96"
 CUSTOM SIZES AVAILABLE; CONTACT AMS



AIR MASTER SYSTEMS CORP

6480 NORTON CENTER DR.
 MUSKEGON, MI 49441

TEL. (231) 798-1111 FAX (231) 798-4000
 WWW.AIRMASTERSYSTEMS.COM

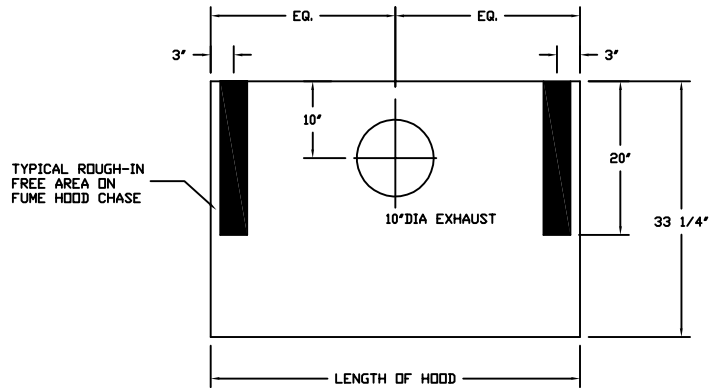
CUSTOMER

QTY: _____

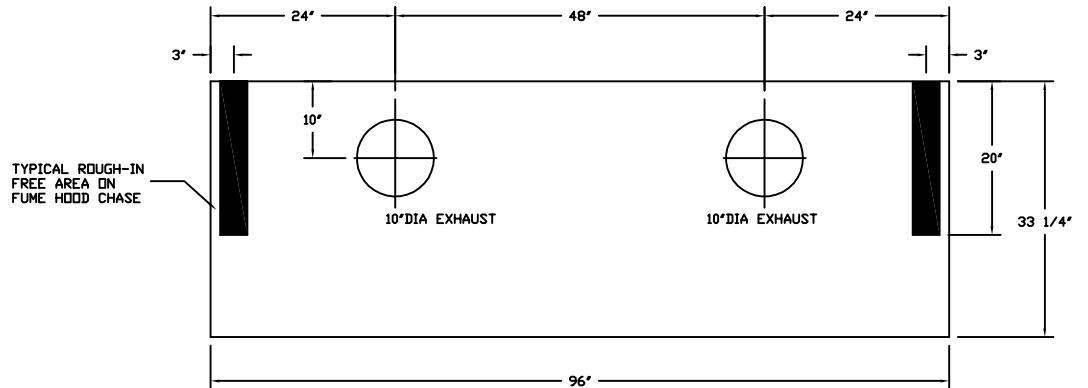
COLOR: _____

THE ELIMINATOR HP SERIES: LOW FLOW/ENERGY EFFICIENT

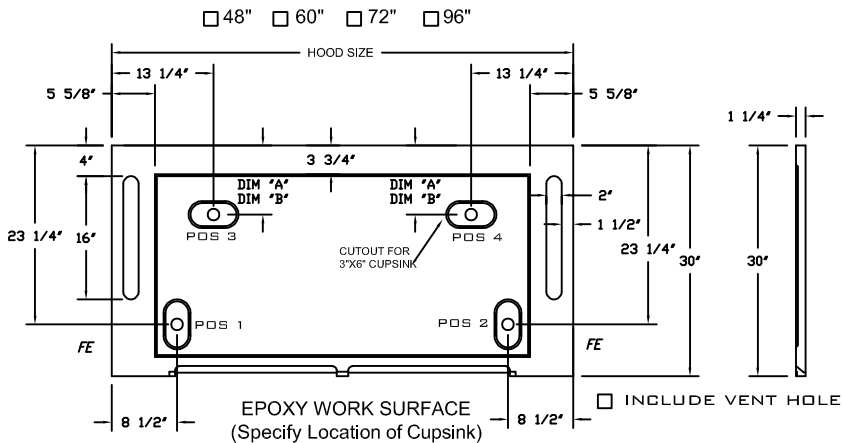
APPLICATIONS: HIGHER EDUCATION; INDUSTRIAL; BIO TECH / R&D



SERVICE ROUGH-IN DETAIL
(SPECIFICALLY FOR 4', 5', & 6' HOODS)



SERVICE ROUGH-IN DETAIL
(SPECIFICALLY FOR 8' HOODS)



- DIM "A" = 9" (UTILIZED WITH 18" DEEP CABINETS)
- DIM "B" = 5-1/4" (UTILIZED WITH 22" DEEP CABINETS)

CUPSINK OPTIONS:

- 3" X 6" 1/4" RAISED RIM
- 3" X 9"
- OTHER _____
- NONE

PART NO.	Superstructure			Worktop			Hood Opening		CFM @ 28"*	CFM @ 18"*	SP
	W	H	D	W	H	D	W	H			
EH-HP-48	48"	56"	33-1/4"	48"	1-1/4"	30"	38"	29"	469	313	.25
EH-HP-60	60"	56"	33-1/4"	60"	1-1/4"	30"	50"	29"	619	413	.34
EH-HP-72	72"	56"	33-1/4"	72"	1-1/4"	30"	62"	29"	769	513	.34
EH-HP-96	96"	56"	33-1/4"	96"	1-1/4"	30"	86"	29"	1069	713	.34

*HEIGHT OF OPEN SASH; CFM CALCULATED AT 60 FPM



AIR MASTER SYSTEMS CORP
6480 NORTON CENTER DR.
MUSKEGON, MI 49441
TEL: (231) 798-1111 FAX: (231) 798-4000
WWW.AIRMASTERSYSTEMS.COM

CUSTOMER

QTY: _____
COLOR: _____