

THE SOLUTION: FUME HOOD (60-100 FPM)

APPLICATIONS: K-12; HIGHER EDUCATION; INDUSTRIAL; BIO TECH / R&D

EH-SOL STANDARD FEATURES

- Interior Baffle Arrangement:
 - Fixed baffles (standard)
- Exhaust Collar:
 - Type 304 s/s - 10" Dia. Round (standard)
 - Other _____
- Interior Lighting Fixture:
 - Standard T-8 Vapor Proof Flour, Light w/ Bulbs (standard)
- Sash Frame & Glass:
 - Frameless w/ Laminated Safety Glass (standard)
- Airfoil:
 - Painted Steel (standard)
- Sash Type:
 - Vertical (standard)
- Pre-Piping / Pre-Wiring (standard)
 - All hoods are pre-wired & pre-piped unless other wise noted
- Sash Drive (standard)
 - Chain & Sprocket Sash Drive
- Sight Line (standard)
 - 36-inch high viewing sightline.

OPTIONAL ACCESSORIES

- Lattice Assembly:**
 - None
 - Aluminum Lattice Assembly
 - Stainless Steel Assembly
- Interior Lighting Fixture:**
 - Explosion Proof Light
- Fume Hood Alarm Option:
 - Alarm Tel AFA_500
 - Alarm Tel AFA_1000
 - VAV Cutout (Customer provides cutout detail)
- Sash Full-Length Finger Lift:**
 - Stainless Steel
- Airfoil:**
 - Type 304 Stainless Steel
 - Type 316 Stainless Steel
- Trough:**
 - None (standard)
 - Painted Steel
 - Type 304 Stainless Steel
 - Type 316 Stainless Steel
- Ceiling Enclosure:**
 - Yes (Height: _____) No
- Finished Back:**
 - Yes No
- Sash Type:**
 - Combination
 - Horizontal
 - Interlocking
- Additional Options:**
 - Blower Sash Alarm
 - Sash Stops Sash Locks
 - Push Button Sash Stop Electronic Sash Closer
 - Automatic Sash Return Sash Cap
- Pass Through Cord Ports** Non Required
 - 1 1/2" Dia. Front Post Cord Ports
 - _____ Dia. Side Panel Cord Ports (please specify size)
- Service Fixture Type:**
 - Ball valve w/ lever handles
 - Needle valve w/ four-arm handle
 - Front Mount Valve w/ four-arm handle
 - Special Plumbing Requirements: _____

(SPECIFY FITTINGS / FIXTURES REQUIRED)

(SPECIFY FITTINGS / FIXTURES REQUIRED)

- ALARM 500
- ALARM 1000
- OTHER ALARM (CUTOUT ONLY)

- ALARM 500
- ALARM 1000
- OTHER ALARM (CUTOUT ONLY)

BLOWER SWITCH

LIGHT SWITCH

SERVICE

SERVICE

SERVICE

SERVICE

SERVICE

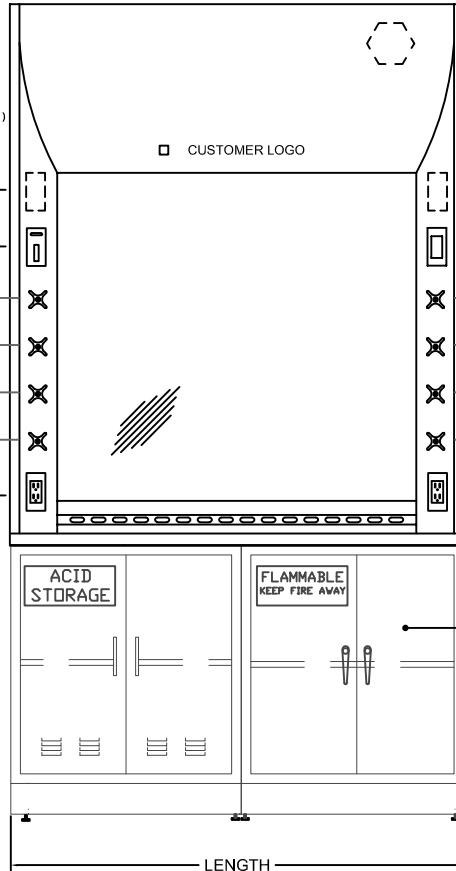
SERVICE

SERVICE

SERVICE

120V GFI DUPLEX

120V GFI DUPLEX



BASE CABINETS OPTIONS:

ACID CABINET	___"W x ___"H x ___"D
FLAMMABLE CABINET	___"W x ___"H x ___"D
VACUUM PUMP CABINET	___"W x ___"H x ___"D
HOOD BASE FRAME	___"W x ___"H x ___"D
SINK BASE CABINET	___"W x ___"H x ___"D

CABINET PULL OPTIONS:

- BRUSHED ALUMINUM BAR STYLE
- BRUSHED STEEL WIRE STYLE
- BRUSHED ALUMINUM RECESS STYLE
- BLACK RECESS STYLE
- STAINLESS STEEL WIRE STYLE

WORK SURFACE MATERIAL:

- Black Epoxy (standard) Other Color: _____
- Type 304 Stainless Steel
- Type 316 Stainless Steel

LINER MATERIAL:

- POLY RESIN (standard)
- 304 STAINLESS STEEL
- 316 STAINLESS STEEL
- PVC
- SPECIAL

PRE-PIPING:

- PRE-PIPING UP
- PRE-PIPING DOWN

OPTIONAL FH DEPTH:

- 39.75" deep w/ 36"d epoxy dished top (add -40"D suffix to part number)

48" 60" 72" 96"
CUSTOM SIZES AVAILABLE; CONTACT AMS

SPECIAL REQUIREMENTS: _____



AIR MASTER SYSTEMS CORP

6480 NORTON CENTER DR.
MUSKEGON, MI 49441

TEL. (231) 798-1111 FAX (231) 798-4000
WWW.AIRMASTERSYSTEMS.COM

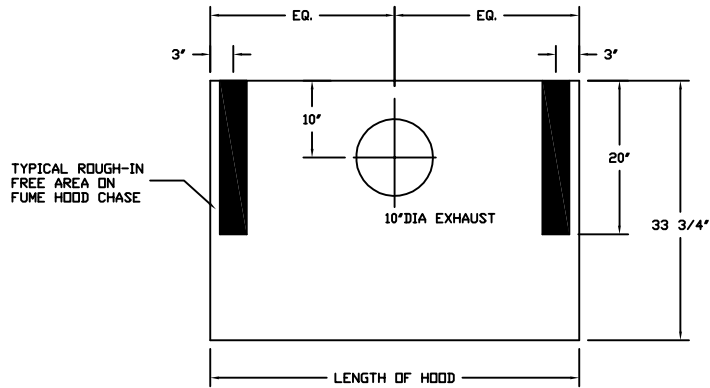
CUSTOMER

QTY: _____

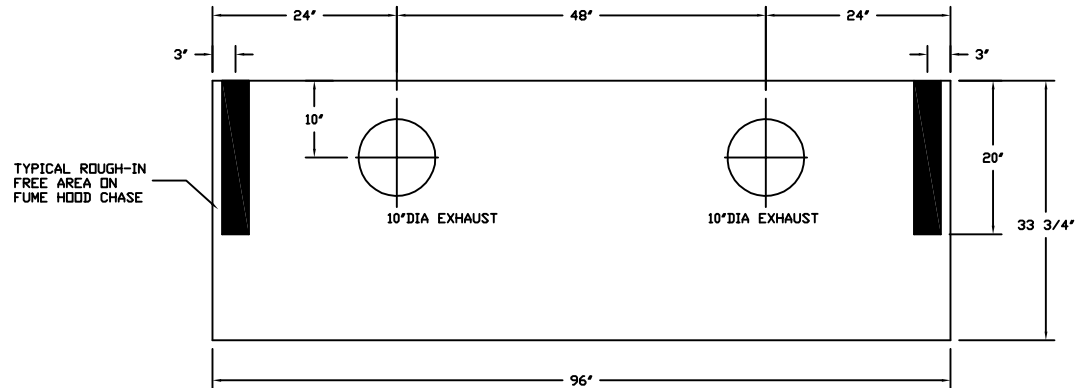
COLOR: _____

THE SOLUTION: FUME HOOD (6200 FPM)

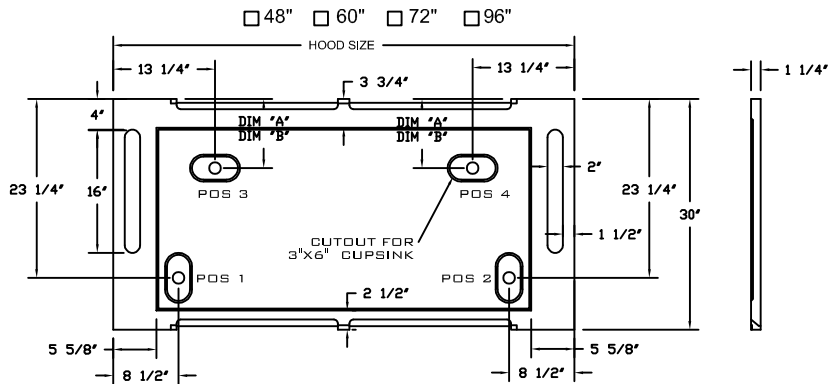
APPLICATIONS: K-12; HIGHER EDUCATION; INDUSTRIAL; BIO TECH / R&D



SERVICE ROUGH-IN DETAIL
(SPECIFICALLY FOR 4', 5', & 6' HOODS)



SERVICE ROUGH-IN DETAIL
(SPECIFICALLY FOR 8' HOODS)



EPOXY WORK SURFACE
(SPECIFY LOCATION OF CUPSINK)

INCLUDE VENT HOLE

DIM "A" = 9" (UTILIZED WITH 18" DEEP CABINETS)
DIM "B" = 5-1/4" (UTILIZED WITH 22" DEEP CABINETS)

CUPSINK OPTIONS:

- 3" X 6" 1/4" RAISED RIM
- 3" X 9"
- OTHER _____
- NONE

PART NO.	SUPERSTRUCTURE			18" SASH HT.		HOOD OPENING (SQ. FT)	18" SASH HT.		STATIC PRESSURE
	W	H	D	CFM @ 100 FPM	CFM @ 60 FPM		CFM @ 100 FPM	CFM @ 60 FPM	
EH-SOL-48	48"	57.25"	33-3/4"	475	285	7.39	739	433	.25"
EH-SOL-60	60"	57.25"	33-3/4"	625	375	9.72	972	583	.33"
EH-SOL-72	72"	57.25"	33-3/4"	775	465	12.06	1206	723	.50"
EH-SOL-96	96"	57.25"	33-3/4"	1075	645	16.72	1672	1003	.26"



AIR MASTER SYSTEMS CORP
6480 NORTON CENTER DR.
MUSKEGON, MI 49441
TEL. (231) 798-1111 FAX (231) 798-4000
WWW.AIRMASTERSYSTEMS.COM

CUSTOMER

QTY: _____

COLOR: _____