

TITAN

S E R I E S

T12 - 12" ISLAND CORE, Installation and Use Instructions

* IMPORTANT SAFETY INSTRUCTIONS *

"For Commercial Use Only"

The instructions shall include the markings, or equivalent as specified in "Marking Requirements" .

When using an electrical furnishing, basic precautions should always be followed, including the following:

1. Never operate this furnishing if it has a damaged cord or plug, if it is not working properly, if it has been dropped or damaged, or dropped into water. Return the furnishing to a service center for examination and repair.
2. Keep the cord away from heated surfaces.
3. Do not use outdoors.

CONSTRUCTION DETAILS:

All wire nuts, connectors, conduit & fittings, are UL Certified, CSA Certified, and suitable for the gauge and number of conductors.

Notes on Installation

1. Core systems: The core should be set in the intended place and levelers adjusted so that the system is level and the levelers are contacting the floor.
2. Installer Qualifications: For installation and maintenance of units, an authorized representative of the manufacturer required for this project.

Maximum load for each load-bearing surface = 800 lbs (per table)

Maximum load for each shelf surface = 200 lbs

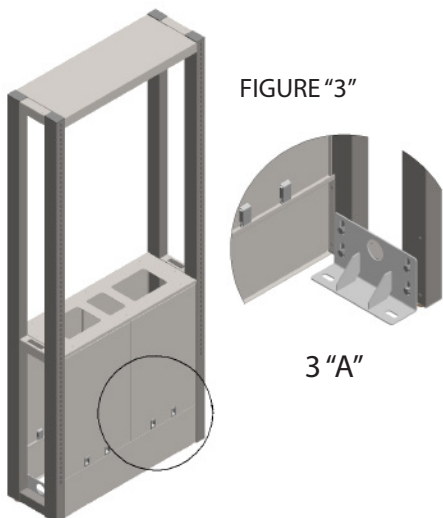
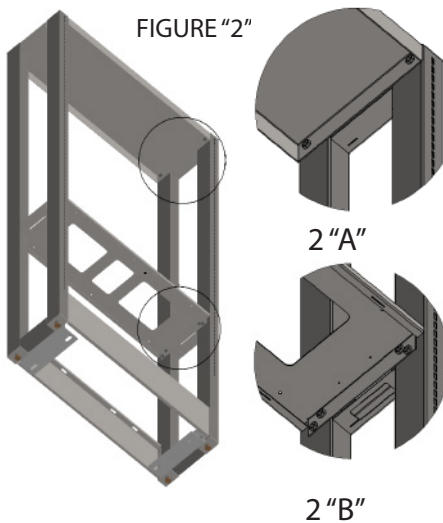
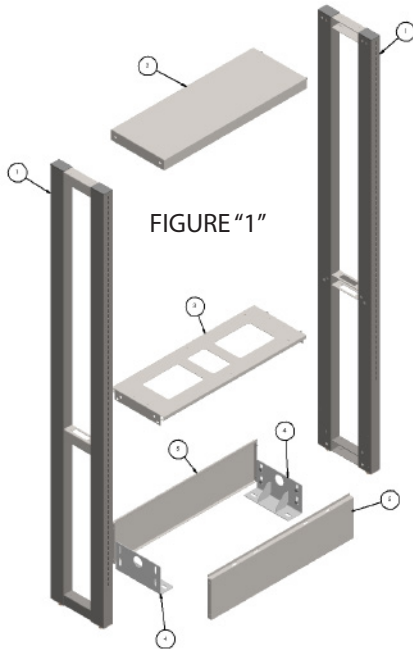
Table assembly instructions:

Figure "1" Parts List:

1. Uprights x2, *Includes caps & levelers*
2. Top Support x1
3. Core Middle Support x1
4. Floor Brackets x2
5. Lower Fixed Panels x2
6. Lower Removable Panels x4 (optional)

Figure "2A" & "2B": Using 3/8"-16 bolts provided, mount #2 Top and #3 Middle Support to the Uprights to build the *core* of the Titan Island system.

Figure "3A": Install #4 Floor Brackets to the Uprights using the 3/8"-16 bolts provided- Do Not fully tighten until core is level. Proceed to anchoring system to floor (hardware not included). Upon leveling/ anchoring, tighten each 3/8"-16 bolt to a minimum of 30 ft-lbs of torque. Attach #5 Fixed Panels to the Uprights using the self-tapping screws provided (#8 screws). Lastly, install optional #6 Removable Panels with slide clips.



AMS
standards you deserve