

T3 - 3" WALL CORE, Installation and Use Instructions

* IMPORTANT SAFETY INSTRUCTIONS *

"For Commercial Use Only"

The instructions shall include the markings, or equivalent as specified in "Marking Requirements".

When using an electrical furnishing, basic precautions should always be followed, including the following:

1. Never operate this furnishing if it has a damaged cord or plug, if it is not working properly, if it has been dropped or damaged, or dropped into water. Return the furnishing to a service center for examination and repair.
2. Keep the cord away from heated surfaces.
3. Do not use outdoors.

CONSTRUCTION DETAILS:

All wire nuts, connectors, conduit & fittings, are UL Certified, CSA Certified, and suitable for the gauge and number of conductors.

Notes on Installation

1. Core systems: The core should be set in the intended place and levelers adjusted so that the system is level and the levelers are contacting the floor.
2. Installer Qualifications: For installation and maintenance of units, an authorized representative of the manufacturer required for this project.

Maximum load for each load-bearing surface = 800 lbs (per table)

Maximum load for each shelf surface = 200 lbs

Table assembly instructions:

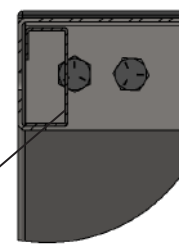
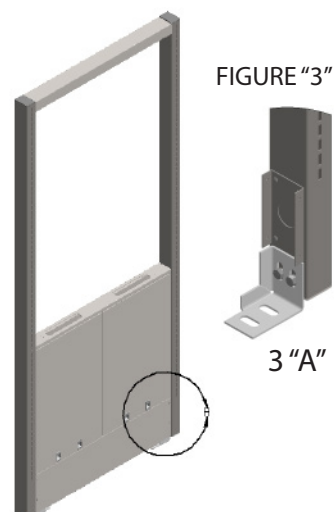
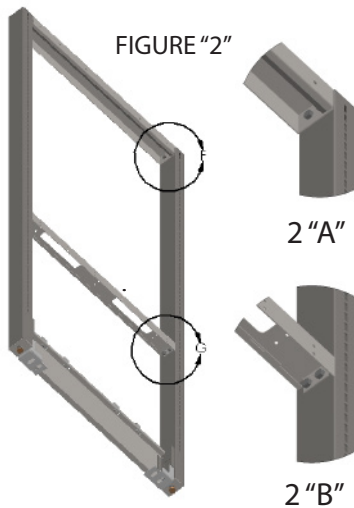
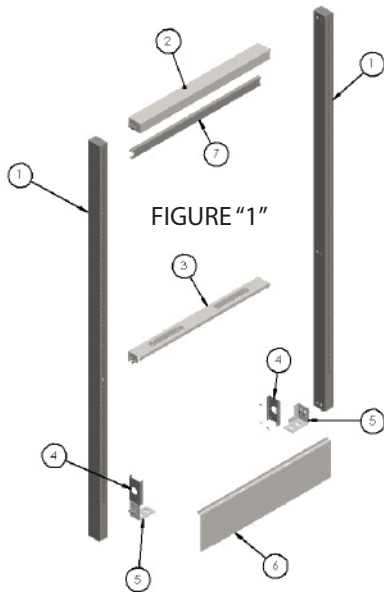
Figure "1" Parts List:

1. Uprights x2, Includes caps & levelers
2. Top Support x1
3. Core Middle Support x1
4. Lower Panel Brackets x2
5. Floor Brackets x2
6. Lower Fixed Panels x2
7. Top Cover x1

Figure "2A" & "2B": Using 3/8"-16 bolts provided, mount #2 Top and #3 Middle Supports to the Uprights to build the *core* of the Titan Wall system.

Figure "3A": Align #4 with the uprights as shown and fasten using the self-tapping screws provided (#8 screws). Install #5 Floor Brackets to the Uprights using the 3/8"-16 bolts provided- Do Not fully tighten until core is level. Proceed to anchoring system to floor- optional (hardware not included). Upon leveling/anchoring, tighten each 3/8"-16 bolt to a minimum of 30 ft-lbs of torque. Attach #6 Fixed Panels to #4 Lower Panel Brackets using the self-tapping screws provided (#8 screws).

Figure "4": Wall 'blocking' locating dimensions. Wood 2"x6" or equivalent structural attachment. Use (#12 screws) to fasten Core to the wall. Install #7 Top Cover panel. Lastly, Install optional Removable Panels with slide clips.



SAVE THESE INSTRUCTIONS

AMS
standards you deserve