

# TITAN

S E R I E S

## T6 - 6" ISLAND REAGENT CORE, Installation & Use Instructions

### \* IMPORTANT SAFETY INSTRUCTIONS \*

"For Commercial Use Only"

The instructions shall include the markings, or equivalent as specified in "Marking Requirements" .

When using an electrical furnishing, basic precautions should always be followed, including the following:

1. Never operate this furnishing if it has a damaged cord or plug, if it is not working properly, if it has been dropped or damaged, or dropped into water. Return the furnishing to a service center for examination and repair.
2. Keep the cord away from heated surfaces.
3. Do not use outdoors.

### CONSTRUCTION DETAILS:

All wire nuts, connectors, conduit & fittings, are UL Certified, CSA Certified, and suitable for the gauge and number of conductors.

### Notes on Installation

1. Core systems: The core should be set in the intended place and levelers adjusted so that the system is level and the levelers are contacting the floor.
2. Installer Qualifications: For installation and maintenance of units, an authorized representative of the manufacturer required for this project.

Maximum load for each load-bearing surface = 800 lbs (per table)

Maximum load for each shelf surface = 200 lbs

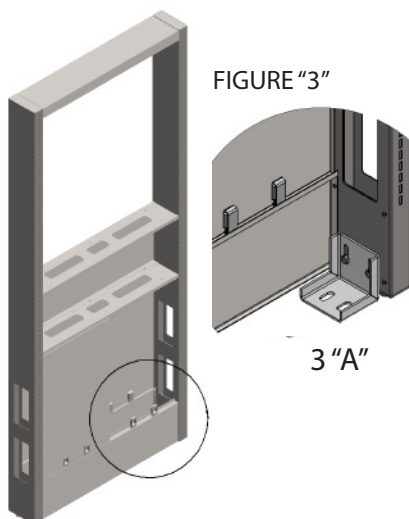
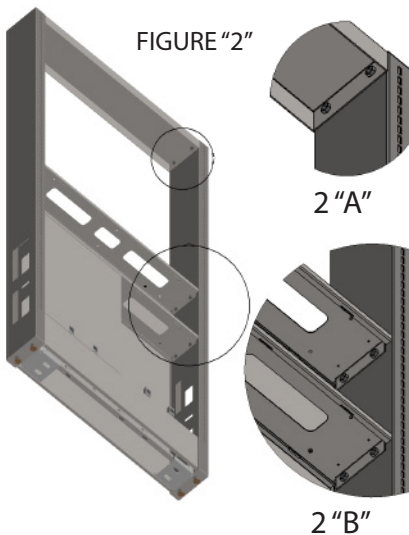
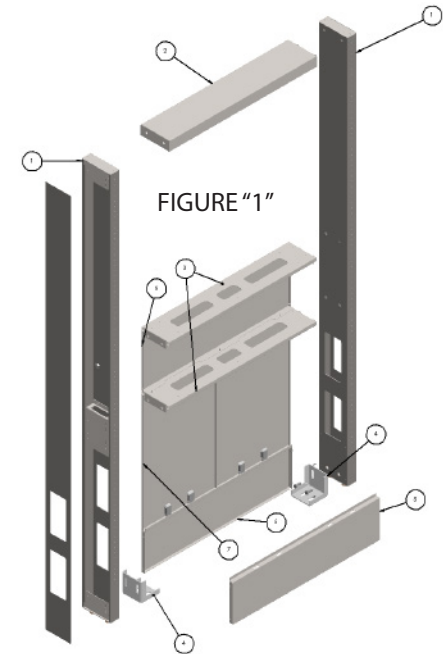
### Table assembly instructions:

#### Figure "1" Parts List:

1. Uprights x2, *Includes caps & levelers*
2. Top Support x1
3. Core Middle Support x2
4. Floor Brackets x2
5. Lower Fixed Panels x2
6. Reagent Panel x2
7. Lower Removable Panels x4 (optional)

**Figure "2A" & "2B":** Using 3/8"-16 bolts provided, mount #2 Top and #3 Middle Supports to the Uprights to build the core of the Titan Island system.

**Figure "3A":** Install #4 Floor Brackets to the Uprights using the 3/8"-16 bolts provided- Do Not fully tighten until core is level. Proceed to anchoring system to floor (hardware not included). Upon leveling/ anchoring, tighten each 3/8"-16 bolt to a minimum of 30 ft-lbs of torque. Attach #5 Fixed Panels to the Uprights using the self-tapping screws provided (#8 screws). Install #6 Reagent Panel using the self-tapping screws provided (#8 screws) at bottom. Lastly, install optional #7 Removable Panels with slide clips.



**AMS**  
standards you deserve