

THE ELIMINATOR 100 SERIES: AIRFOIL FUME HOOD

APPLICATIONS: K-12; HIGHER EDUCATION; INDUSTRIAL; BIO TECH / R&D

STANDARD FEATURES

- **Interior Baffle Arrangement:**
Fixed Baffles (standard)
- **Exhaust Collar:**
Type 304 s/s - 10" Dia. Round (standard)
Other _____
- **Interior Lighting Fixture:**
Standard LED Fixtures (standard)
- **Sash Frame & Glass:**
Painted Steel Frame w/ Laminated Safety Glass (standard)
- **Airfoil:**
Painted Steel (standard)
- **Sash Type:**
Vertical (standard)

OPTIONAL ACCESSORIES

- Lattice Assembly:**
- NONE
 - Aluminum Lattice Assembly
 - Stainless Steel Assembly
- Interior Lighting Fixture:**
- Explosion Proof Light
- Fume Hood Alarm Option:**
- Alarm Tel AFA_500
 - Alarm Tel AFA_1000
 - Alarm / VAV Cutout (Customer **MUST** provide cutout detail)
- Sash Frame & Glass:**
- Stainless Steel Frame w/ Laminated Safety Glass
- Airfoil:**
- Type 304 Stainless Steel
 - Type 316 Stainless Steel
- Trough:**
- NONE (Standard)
 - Painted Steel
 - Type 304 Stainless Steel
 - Type 316 Stainless Steel
- Ceiling Enclosure:**
- Yes (Height: _____) No
 - **Hinged Access Panel on Ceiling Enclosures?:**
 Yes No
- Finished Back:**
- Yes No
- Sash Type:**
- Combination (Horizontal + Vertical)
 - Horizontal (Sliding only)
 - Interlocking
- Additional Options:**
- Blower Sash Locks
 - Sash Stops Electronic Sash Closer
 - Automatic Sash Return Sash Cap
 - Sash Alarm
- Pass Through Cord Ports**
- 1.5" Dia. Front Post Cord Ports
 - _____ Dia. Side Panel Cord Ports (please specify size)
- Service Fixture Type:**
- Ball valve w/ lever handles (ADA)
 - Standard Remote Valve w/ four-arm handle
 - Front Mount Valve w/ four-arm handle
 - Special Plumbing Requirements: _____
- Pre-Wire + Electrical:**
- Yes No

SPECIFY FITTINGS/ FIXTURES REQUIRED:

SERVICE _____
SERVICE _____
SERVICE _____
SERVICE _____
SERVICE _____

- ALARM 500
- ALARM 1000
- OTHER ALARM / VAV (CUTOUT ONLY)

BLOWER SWITCH (OPTIONAL)

120V GFI DUPLEX (OPTIONAL)

SPECIFY FITTINGS/ FIXTURES REQUIRED:

SERVICE _____
SERVICE _____
SERVICE _____
SERVICE _____
SERVICE _____

- ALARM 500
- ALARM 1000
- OTHER ALARM / VAV (CUTOUT ONLY)

LIGHT SWITCH (OPTIONAL)

120V GFI DUPLEX (OPTIONAL)

LINER MATERIAL:

- POLY RESIN (standard)
- 304 STAINLESS STEEL
- 316 STAINLESS STEEL
- PVC
- SPECIAL

PRE-PIPING:

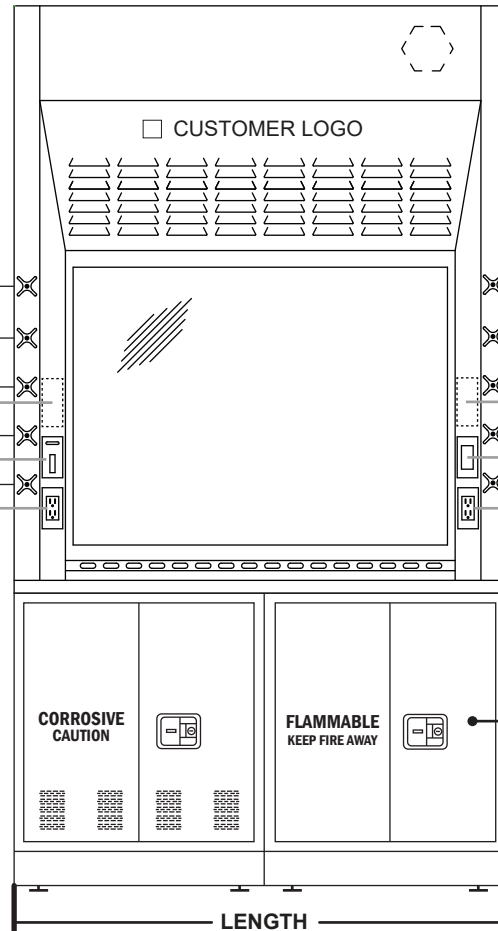
- YES NO
- PRE-PIPING UP
- PRE-PIPING DOWN

BYPASS TYPE:

- OPEN BYPASS (standard)
- RESTRICTED BYPASS

OPTIONAL FH DEPTH:

- 39.25" Deep w/ 36" D
- Epoxy dished top



36" 48" 60" 72" 96"

Custom sizes available ; Contact AMS

SPECIAL REQUIREMENTS: _____

WIRING DIAGRAM

- WIRING DIAGRAM REQUIRED

BASE CABINET OPTIONS:

CORROSIVE CABINET	___"W x ___"H x ___"D
FLAMMABLE CABINET	___"W x ___"H x ___"D
VACUUM PUMP CABINET	___"W x ___"H x ___"D
HOOD BASE FRAME	___"W x ___"H x ___"D
SINK BASE CABINET	___"W x ___"H x ___"D

CABINET PULL OPTIONS:

- BRUSHED ALUMINUM BAR STYLE
- BRUSHED STEEL WIRE STYLE
- BRUSHED ALUMINUM RECESS STYLE
- BLACK RECESS STYLE
- STAINLESS STEEL WIRE STYLE

WORK SURFACE MATERIAL:

- BLACK EPOXY (standard)
Other Color: _____
- TYPE 304 STAINLESS STEEL
- TYPE 316 STAINLESS STEEL

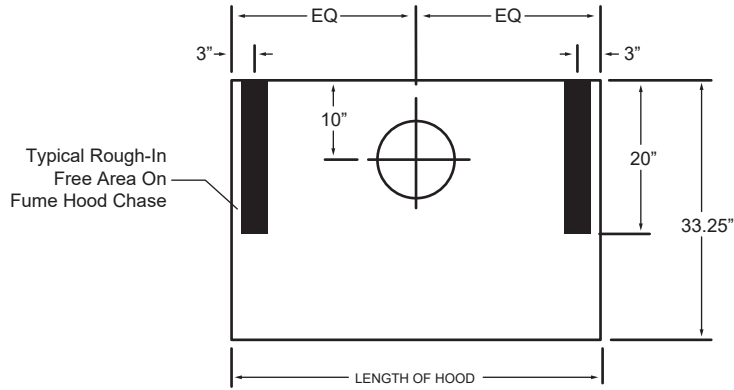
CUSTOMER: _____

QTY: _____

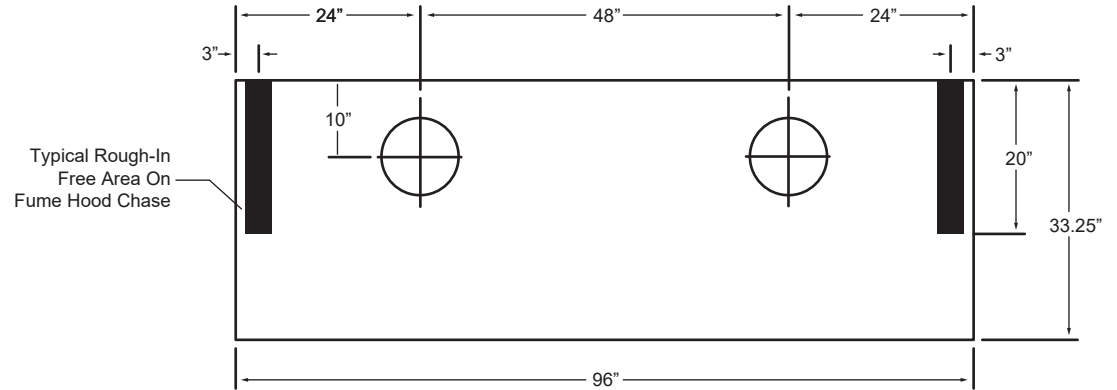
COLOR: _____

THE ELIMINATOR 100 SERIES: AIRFOIL FUME HOOD

APPLICATIONS: K-12; HIGHER EDUCATION; INDUSTRIAL; BIO TECH / R&D



**SERVICE ROUGH-IN DETAIL
(FOR 48", 60", & 72" HOODS)**



**SERVICE ROUGH-IN DETAIL
(FOR 96" HOODS)**

EPOXY WORK SURFACE (SPECIFY LOCATION OF CUPSINK)

*When utilizing 22" deep cabinets, cup sink measurement changes to 5.25" in lieu of 9"

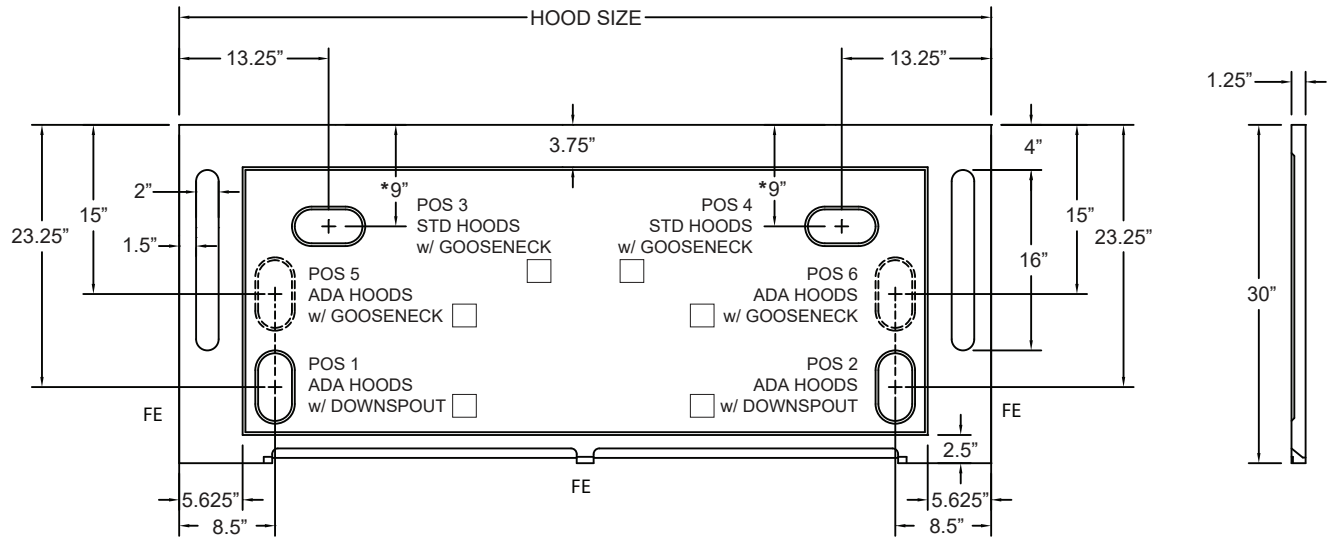
Note: At 5.25", it will have the cup sink sit slightly under the baffle.

Include Acid Cabinet Vent Hole

CUPSINK OPTIONS:

- 3" x 6"
- 3" x 9"
- OTHER _____
- NONE

ADD 0.25" RAISED RIM



PART #	SUPERSTRUCTURE			WORKTOP			HOOD OPENING		CFM @29"	CFM @18"	SP	BLOWER MODEL #	SHIPPING WEIGHT
	W	H	D	W	H	D	W	H					
EH-111-36	36"	56"	33.25"	36"	1.25"	30"	26"	29"	567	354	.25	BL-100-36	320
EH-111-48	48"	56"	33.25"	48"	1.25"	30"	38"	29"	833	521	.25	BL-100-48	385
EH-111-60	60"	56"	33.25"	60"	1.25"	30"	50"	29"	1100	688	.34	BL-100-60	450
EH-111-72	72"	56"	33.25"	72"	1.25"	30"	62"	29"	1367	854	.34	BL-100-72	510
EH-111-96	96"	56"	33.25"	96"	1.25"	30"	86"	29"	1900	1188	.40	BL-100-96	630