

THE ELIMINATOR 200 SERIES: DOUBLE FACED 100 SERIES

APPLICATIONS: K-12; HIGHER EDUCATION; INDUSTRIAL; BIO TECH / R&D

SPECIFY FITTINGS/ FIXTURES REQUIRED:

Please specify if plumbing fixtures are required on both sides

FRONT / BACK

SERVICE

SERVICE

SERVICE

SERVICE

SERVICE

BLOWER SWITCH (OPTIONAL)

120V GFI DUPLEX (OPTIONAL)

LINER MATERIAL:

- POLY RESIN (standard)
 304 STAINLESS STEEL
 316 STAINLESS STEEL
 PVC
 SPECIAL

PRE-PIPING:

YES NO

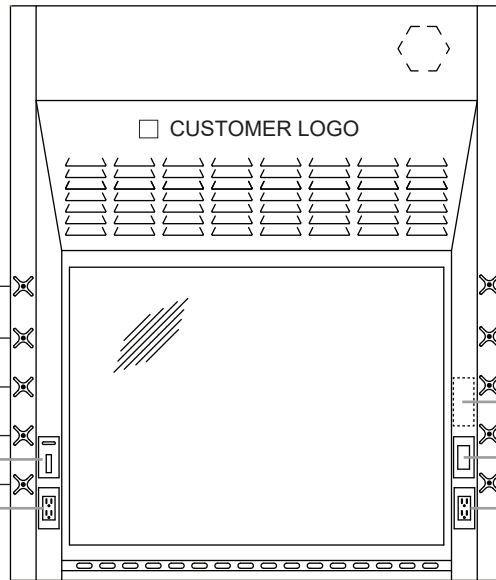
PRE-PIPING UP

PRE-PIPING DOWN

BYPASS TYPE:

OPEN BYPASS (standard)

RESTRICTED BYPASS



SPECIFY FITTINGS/ FIXTURES REQUIRED:

Please specify if plumbing fixtures are required on both sides

FRONT / BACK

SERVICE

SERVICE

SERVICE

SERVICE

SERVICE

- ALARM 500
 ALARM 1000
 OTHER ALARM / VAV (CUTOUT ONLY)

LIGHT SWITCH (OPTIONAL)

120V GFI DUPLEX (OPTIONAL)

PLUMBING CAN ONLY BE ON TWO OF THE FOUR POSTS

- Both front posts - None on rear
- Both rear posts - None on front
- OR
- Front Post & Back Post - Same side of the hood

BASE CABINET OPTIONS:

CORROSIVE CABINET	___"W x ___"H x ___"D
FLAMMABLE CABINET	___"W x ___"H x ___"D
VACUUM PUMP CABINET	___"W x ___"H x ___"D
HOOD BASE FRAME	___"W x ___"H x ___"D
SINK BASE CABINET	___"W x ___"H x ___"D

CABINET PULL OPTIONS:

- BRUSHED ALUMINUM BAR STYLE
 BRUSHED STEEL WIRE STYLE
 BRUSHED ALUMINUM RECESS STYLE
 BLACK RECESS STYLE
 STAINLESS STEEL WIRE STYLE

WORK SURFACE MATERIAL:

- BLACK EPOXY (standard)
 Other Color: _____
 TYPE 304 STAINLESS STEEL
 TYPE 316 STAINLESS STEEL

LENGTH
 36" 48" 60" 72" 96"

Custom sizes available ; Contact AMS

SPECIAL REQUIREMENTS: _____

WIRING DIAGRAM

WIRING DIAGRAM REQUIRED

STANDARD FEATURES

- Interior Baffle Arrangement:**
Fixed Baffles (standard)
- Exhaust Collar:**
Type 304 s/s - 10" Dia. Round (standard)
Other _____
- Interior Lighting Fixture:**
Standard LED Fixtures (standard)
- Sash Frame & Glass:**
Painted Steel Frame w/ Laminated Safety Glass (standard)
- Airfoil:**
Painted Steel (standard)
- Additional Feature:**
Interlocking Sash
- Sash Type:**
Vertical (standard)

OPTIONAL ACCESSORIES

- Lattice Assembly:**
- NONE
 - Aluminum Lattice Assembly
 - Stainless Steel Assembly
- Interior Lighting Fixture:**
- Explosion Proof Light
- Fume Hood Alarm Option:**
- Alarm Tel AFA_500
 - Alarm Tel AFA_1000
 - Alarm / VAV Cutout (Customer **MUST** provide cutout detail)
- Sash Frame & Glass:**
- Stainless Steel Frame w/ Laminated Safety Glass
- Airfoil:**
- Type 304 Stainless Steel
 - Type 316 Stainless Steel
- Trough:**
- NONE (Standard)
 - Painted Steel
 - Type 304 Stainless Steel
 - Type 316 Stainless Steel
- Ceiling Enclosure:**
- Yes (Height: _____) No
 - Hinged Access Panel on Ceiling Enclosures?:**
 Yes No
- Finished Back:**
- Yes No
- Sash Type:**
- Combination (Horizontal + Vertical)
 - Horizontal (Sliding Only)
- Additional Options:**
- Blower Blower Switch (3-Way)
 - Sash Stops Sash Locks
 - Automatic Sash Return Light Switch (3-Way)
 - Sash Alarm Sash Cap
- Service Fixture Type:**
- Ball valve w/ lever handles
 - Standard Remote Valve w/ four-arm handle
 - Front Mount Valve w/ four-arm handle
 - Special Plumbing Requirements: _____
- Pre-Wire + Electrical:**
- Yes No

AIR MASTER SYSTEMS CORP
 6480 NORTON CENTER DR.
 MUSKEGON, MI 49441
 TEL: (231) 798-1111 FAX: (231) 798-4000



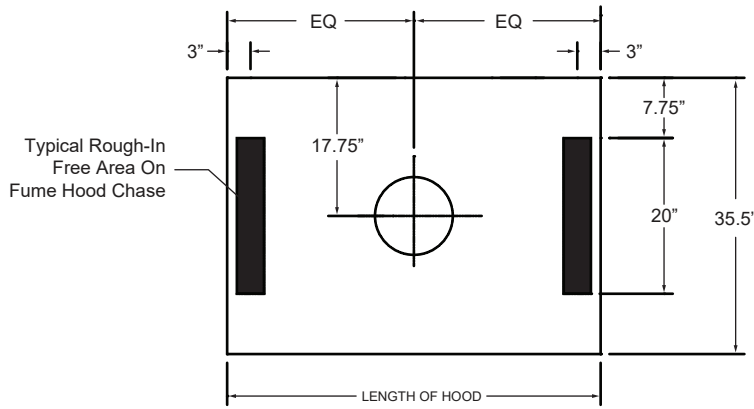
CUSTOMER: _____

QTY: _____

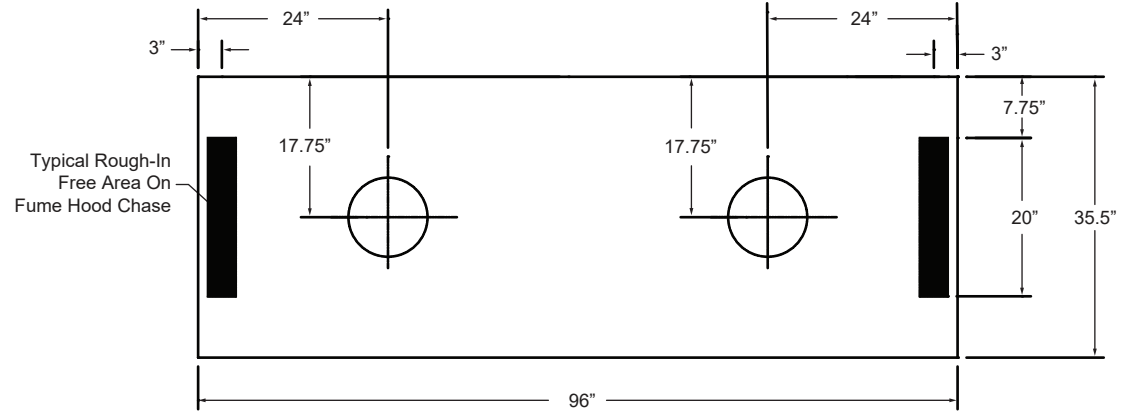
COLOR: _____

THE ELIMINATOR 200 SERIES: DOUBLE FACED 100 SERIES

APPLICATIONS: K-12; HIGHER EDUCATION; INDUSTRIAL; BIO TECH / R&D



**SERVICE ROUGH-IN DETAIL
(FOR 48", 60", & 72" HOODS)**



**SERVICE ROUGH-IN DETAIL
(FOR 96" HOODS)**

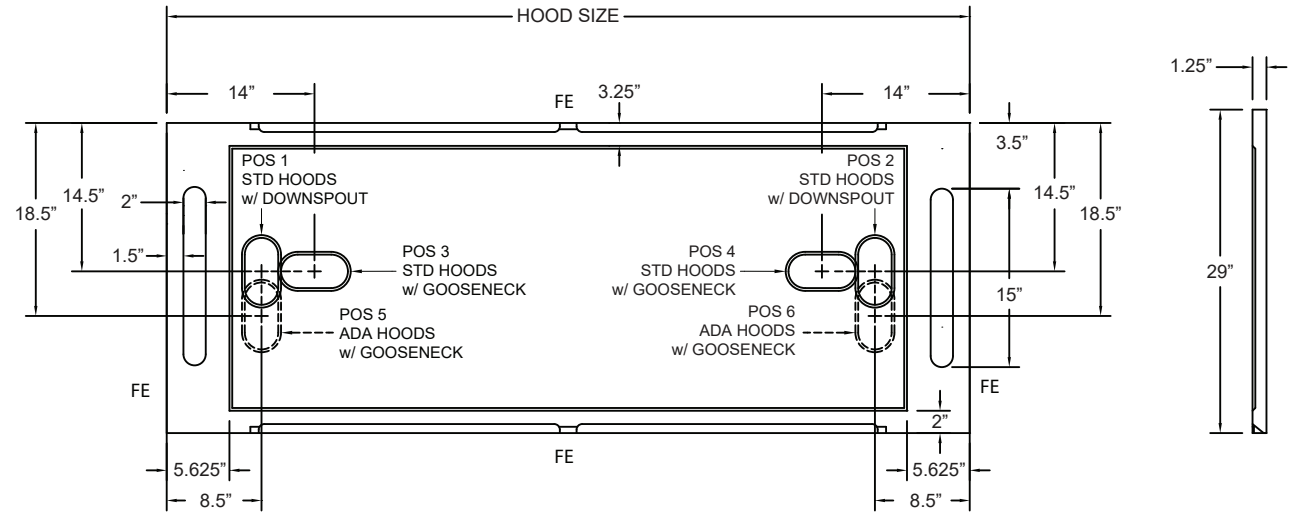
Note: If Acid / Flammable cabinets are required - cupsink locations will vary, please contact AMS for details.

**EPOXY WORK SURFACE
(SPECIFY LOCATION OF CUPSINK)**

CUPSINK OPTIONS:

- 3" x 6"
- 3" x 9"
- OTHER _____
- NONE

ADD 0.25" RAISED RIM



PART #	SUPERSTRUCTURE			WORKTOP			HOOD OPENING		CFM @29"	CFM @18"	SP	BLOWER MODEL #	SHIPPING WEIGHT
	W	H	D	W	H	D	W	H					
EH-211-36	36"	56"	35.5"	36"	1.25"	29"	26"	29"	567	354	.25	BL-100-36	400
EH-211-48	48"	56"	35.5"	48"	1.25"	29"	38"	29"	833	521	.33	BL-100-48	450
EH-211-60	60"	56"	35.5"	60"	1.25"	29"	50"	29"	1100	688	.34	BL-100-60	500
EH-211-72	72"	56"	35.5"	72"	1.25"	29"	62"	29"	1367	854	.34	BL-100-72	550
EH-211-96	96"	56"	35.5"	96"	1.25"	29"	86"	29"	1900	1188	.40	BL-100-96	650