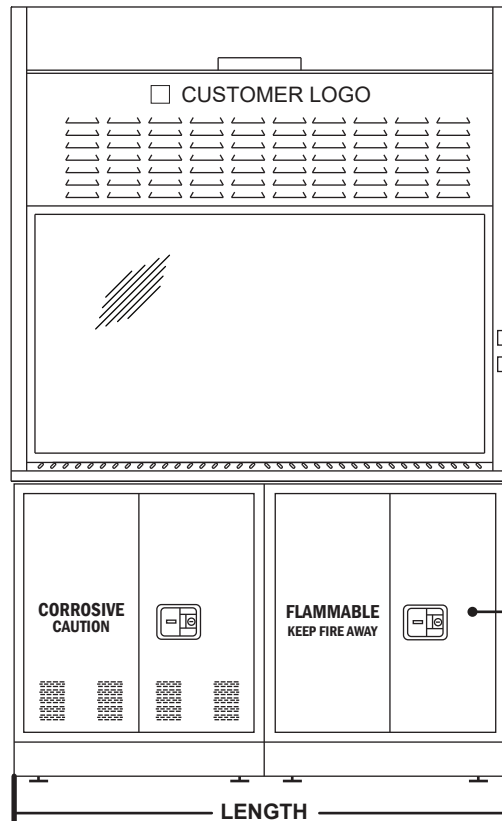


THE ELIMINATOR 300 SERIES: THIN WALL

APPLICATIONS: K-MIDDLE SCHOOL



LINER MATERIAL:

- POLY RESIN (standard)
- 304 STAINLESS STEEL
- 316 STAINLESS STEEL
- PVC
- SPECIAL

BYPASS TYPE:

- OPEN BY-PASS (standard)
- RESTRICTED BYPASS

36" 48" 60" 72" 96"

Custom sizes available ; Contact AMS

SPECIAL REQUIREMENTS: _____

WIRING DIAGRAM

- WIRING DIAGRAM REQUIRED

DECK MOUNT PLUMBING FIXTURES AVAILABLE

- ALARM 500
- ALARM 1000

PLACEMENT OF ALARM

- AS SHOWN
- OPPOSITE SIDE

- BLOWER SWITCH (OPTIONAL)

- LIGHT SWITCH (OPTIONAL)

BASE CABINET OPTIONS:

CORROSIVE CABINET	___"W x ___"H x ___"D
FLAMMABLE CABINET	___"W x ___"H x ___"D
VACUUM PUMP CABINET	___"W x ___"H x ___"D
HOOD BASE FRAME	___"W x ___"H x ___"D
SINK BASE CABINET	___"W x ___"H x ___"D

NOTE: 18" DEEP FLAMMABLE AND/OR ACID CABINET IS NEEDED IF DECK MOUNT FIXTURES ARE REQUIRED.

CABINET PULL OPTIONS:

- BRUSHED ALUMINUM BAR STYLE
- BRUSHED STEEL WIRE STYLE
- BRUSHED ALUMINUM RECESS STYLE
- BLACK RECESS STYLE
- STAINLESS STEEL WIRE STYLE

WORK SURFACE MATERIAL:

- BLACK EPOXY (standard)
Other Color: _____
- TYPE 304 STAINLESS STEEL
- TYPE 316 STAINLESS STEEL
- NO WORK SURFACE REQUIRED

STANDARD FEATURES

- **Interior Baffle Arrangement:**
Fixed Baffles (standard)
- **Exhaust Collar:**
Type 304 s/s - 10" Dia. Round (standard)
Other _____
- **Interior Lighting Fixture:**
Standard LED Fixtures (standard)
- **Sash Frame & Glass:**
Painted Steel Frame w/ Laminated Safety Glass (standard)
- **Sash Type:**
Vertical (standard)

OPTIONAL ACCESSORIES

Lattice Assembly:

- NONE
- Aluminum Lattice Assembly
- Stainless Steel Assembly

Interior Lighting Fixture:

- Explosion Proof Light

Fume Hood Alarm Option:

- Alarm Tel AFA_500
- Alarm Tel AFA_1000

Sash Frame & Glass:

- Stainless Steel Frame w/ Laminated Safety Glass

Ceiling Enclosure:

- Yes (Height: _____) No

Finished Back:

- Yes No

Sash Type:

- Combination (Horizontal + Vertical)
- Horizontal (Sliding only)

Additional Options:

- Blower Sash Locks
- Sash Stops Sash Alarm
- Automatic Sash Return Sash Cap

Service Fixture Type:

- Ball valve w/ lever handles
- Standard Remote Valve w/ four-arm handle
- Front Mount Valve w/ four-arm handle
- Special Plumbing Requirements: _____

Pre-Wire + Electrical:

- Yes No

AIR MASTER SYSTEMS CORP
6480 NORTON CENTER DR.
MUSKEGON, MI 49441
TEL: (231) 798-1111 FAX: (231) 798-4000

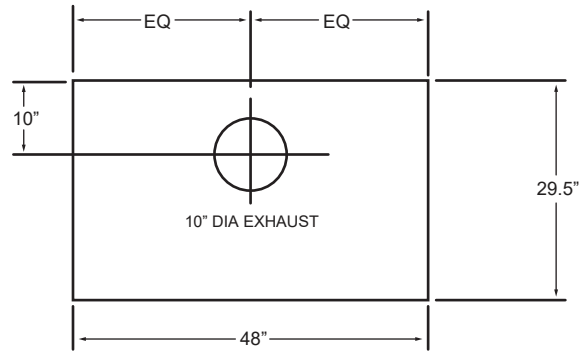
CUSTOMER: _____

QTY: _____

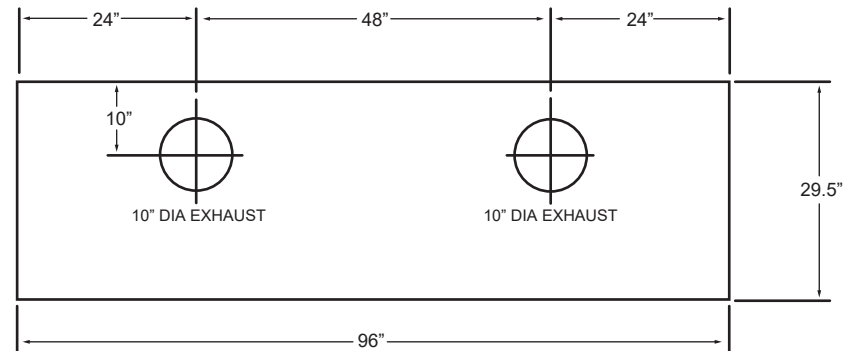
COLOR: _____

THE ELIMINATOR 300 SERIES: THIN WALL

APPLICATIONS: K-MIDDLE SCHOOL



**SERVICE ROUGH-IN DETAIL
(FOR 36", 48", 60", & 72" HOODS)**



**SERVICE ROUGH-IN DETAIL
(FOR 96" HOODS)**

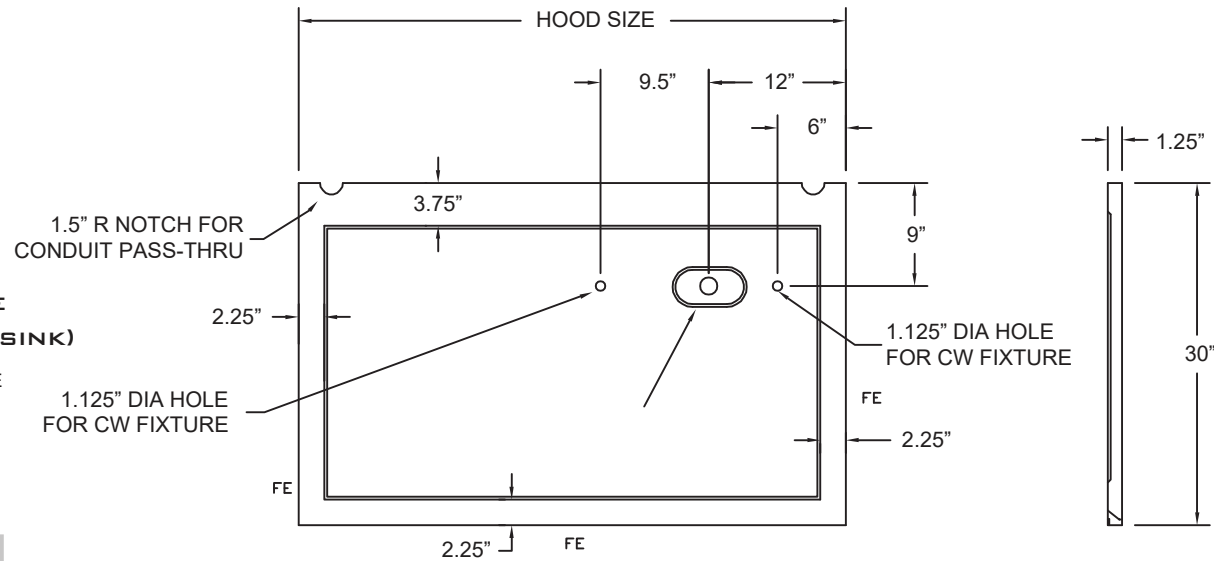
**EPOXY WORK SURFACE
(SPECIFY LOCATION OF CUPSINK)**

LEFT SIDE RIGHT SIDE

Include Acid Cabinet Vent Hole

CUPSINK OPTIONS:

- 3" x 6"
- 3" x 9"
- OTHER _____
- NONE
-
- ADD 0.25" RAISED RIM



PART #	SUPERSTRUCTURE			WORKTOP			HOOD OPENING		CFM @29"	CFM @18"	SP	BLOWER MODEL #	SHIPPING WEIGHT
	W	H	D	W	H	D	W	H					
EH-311-36	36"	56"	29.5"	36"	1.25"	30"	26"	28"	646	431	.25	BL-300-36	190
EH-311-48	48"	56"	29.5"	48"	1.25"	30"	43"	28"	896	597	.25	BL-300-48	175
EH-311-60	60"	56"	29.5"	60"	1.25"	30"	55"	28"	1146	764	.39	BL-300-60	200
EH-311-72	72"	56"	29.5"	72"	1.25"	30"	67"	28"	1417	944	.37	BL-300-72	250
EH-311-96	96"	56"	29.5"	96"	1.25"	30"	91"	28"	1896	1264	.43	BL-300-96	275

*Height of open sash; CFM Calculated at 100 FPM