

THE ELIMINATOR 400 SERIES: WALK-IN HOOD

APPLICATIONS: UNIVERSITY; RESEARCH; PRIVATE INDUSTRY

STANDARD FEATURES

- **Interior Baffle Arrangement:**
Fixed Baffles (standard)
- **Exhaust Collar:**
Type 304 s/s - 10" Dia. Round (standard)
Other _____
- **Interior Lighting Fixture:**
Standard LED Fixtures (standard)
- **Sash Frame & Glass:**
Painted Steel Frame w/ Laminated Safety Glass (standard)
- **Sash Type:**
Vertical (standard)

OPTIONAL ACCESSORIES

- Lattice Assembly:**
- NONE
 - Plastic Lattice Assembly
 - Aluminum Lattice Assembly
 - Stainless Steel Assembly
- Interior Lighting Fixture:**
- Explosion Proof Light
- Fume Hood Alarm Option:**
- Alarm Tel AFA_500
 - Alarm Tel AFA_1000
 - Alarm / VAV Cutout (Customer **MUST** provide cutout detail)
- Sash Frame & Glass:**
- Stainless Steel Frame w/ Laminated Safety Glass
- Ceiling Enclosure:**
- Yes (Height: _____) No
 - **Hinged Access Panel on Ceiling Enclosures?:**
 Yes No
- Sash Type:**
- Combination (Horizontal + Vertical)
 - Horizontal (Sliding only)
 - Interlocking
- Additional Options:**
- Blower
 - Sash Stops
 - Sash Locks
 - Sash Alarm
 - Sash Cap
 - Panel Mounted Cupsink
 - Stainless Steel Ramp
 - Epoxy Flooring
- Pass Through Cord Ports**
- 1.5" Dia. Front Post Cord Ports
 - _____ Dia. Side Panel Cord Ports (please specify size)
- Service Fixture Type:**
- Ball valve w/ lever handles
 - Standard Remote Valve w/ four-arm handle
 - Front Mount Valve w/ four-arm handle
 - Special Plumbing Requirements: _____
- Pre-Wire + Electrical:**
- Yes No

SPECIFY FITTINGS/ FIXTURES REQUIRED:

SERVICE _____
SERVICE _____
SERVICE _____
SERVICE _____
SERVICE _____

ALARM 500
ALARM 1000

OTHER ALARM (CUTOUT ONLY)

BLOWER SWITCH (OPTIONAL)

120V GFI DUPLEX (OPTIONAL)

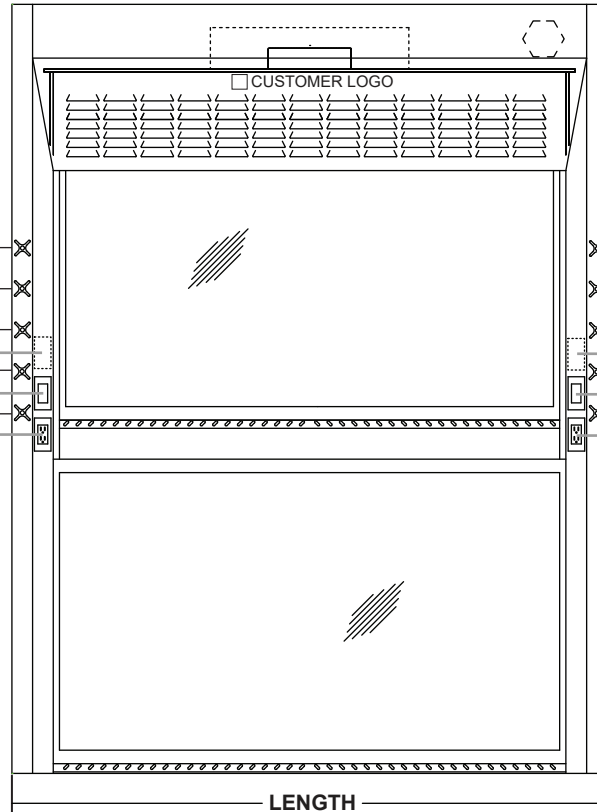
SPECIFY FITTINGS/ FIXTURES REQUIRED:

SERVICE _____
SERVICE _____
SERVICE _____
SERVICE _____
SERVICE _____

ALARM 500
 ALARM 1000
 OTHER ALARM / VAV (CUTOUT ONLY)

LIGHT SWITCH (OPTIONAL)

120V GFI DUPLEX (OPTIONAL)



48" 60" 72" 96" 120"

LINER MATERIAL:

POLY RESIN (standard)
304 STAINLESS STEEL
316 STAINLESS STEEL
PVC
SPECIAL

PRE-PIPING:

YES NO

PRE-PIPING UP

PRE-PIPING DOWN

BYPASS TYPE:

OPEN BYPASS (standard)
RESTRICTED BYPASS

SPECIAL REQUIREMENTS: _____

** FOR PROPER INSTALLATION & FUNCTIONALITY OF FUME HOOD,
FLOORING MUST BE LEVELED BY OWNER PRIOR TO DELIVERY OF
FUME HOODS.

WIRING DIAGRAM

WIRING DIAGRAM REQUIRED

SPECIAL DEPTH REQUIRED? Yes No

SPECIFY INTERIOR DEPTH _____

SPECIAL HEIGHT REQUIRED? Yes No
Standard Height 85"

SPECIFY INTERIOR HEIGHT _____

AIR MASTER SYSTEMS CORP
6480 NORTON CENTER DR.
MUSKEGON, MI 49441
TEL: (231) 798-1111 FAX: (231) 798-4000



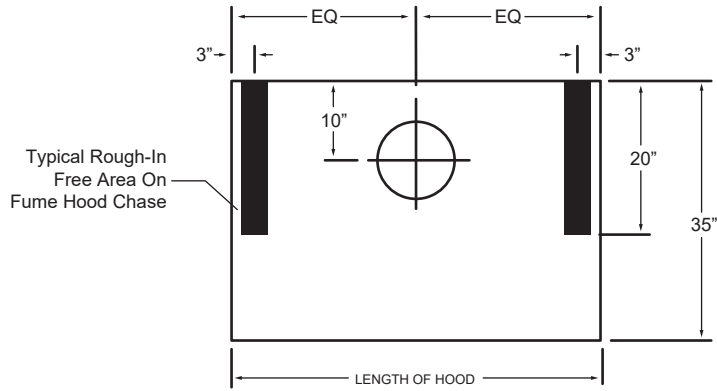
CUSTOMER: _____

QTY: _____

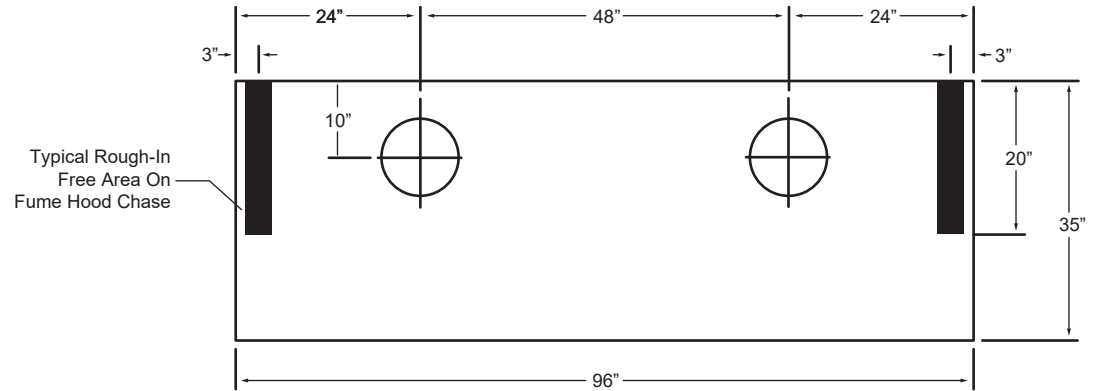
COLOR: _____

THE ELIMINATOR 400 SERIES: WALK-IN HOOD

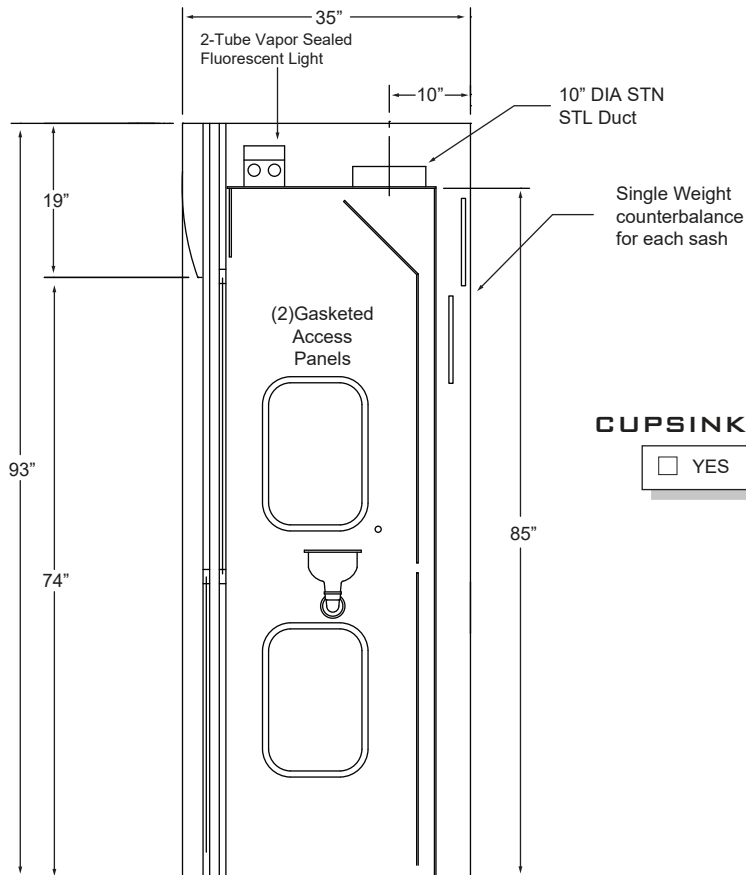
APPLICATIONS: UNIVERSITY; RESEARCH; PRIVATE INDUSTRY



**SERVICE ROUGH-IN DETAIL
(FOR 48", 60", & 72" HOODS)**



**SERVICE ROUGH-IN DETAIL
(FOR 96" HOODS)**



CUPSINK OPTIONS:

YES NO

PART #	SUPERSTRUCTURE			HOOD OPENING		CFM @ 18"	CFM @ 36"	CFM @ 72"	SP	BLOWER MODEL #	SHIPPING WEIGHT
	W	H	D	W	H						
EH-411-48	48"	93"	35"	38"	72"	445	990	1979	.25	BL-400-48	560
EH-411-60	60"	93"	35"	50"	72"	653	1306	2613	.34	BL-400-60	675
EH-411-72	72"	93"	35"	62"	72"	812	1623	3246	.50	BL-400-72	790
EH-411-96	96"	93"	35"	86"	72"	1128	2256	4513	.34	BL-400-96	1025
EH-411-120	120"	93"	35"	108"	72"	1444	2889	5780	.58	BL-400-120	2500

*Height of open sash; CFM Calculated at 100 FPM