

# THE ELIMINATOR 500 SERIES: ADA DESIGN

APPLICATIONS: K-12; UNIVERSITY; PRIVATE INDUSTRY

## STANDARD FEATURES

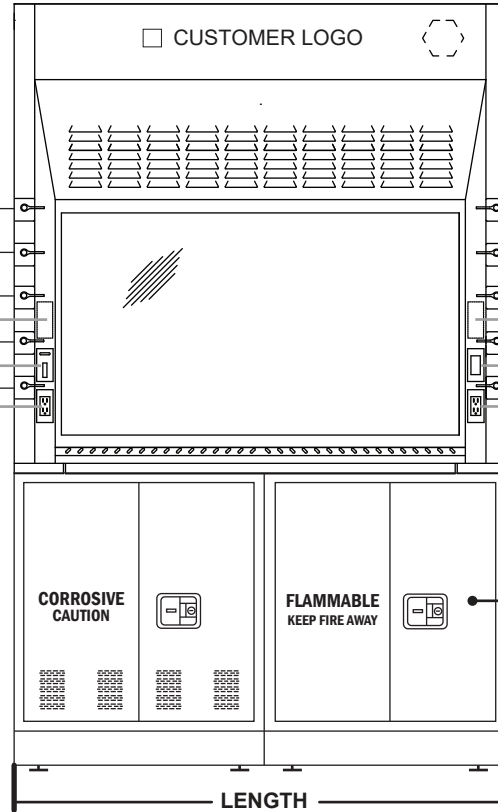
- **Interior Baffle Arrangement:**  
Fixed Baffles (standard)
- **Exhaust Collar:**  
Type 304 s/s - 10" Dia. Round (standard)  
Other \_\_\_\_\_
- **Interior Lighting Fixture:**  
Standard LED Fixtures (standard)
- **Sash Frame & Glass:**  
Painted Steel Frame w/ Laminated Safety Glass (standard)
- **Airfoil:**  
Painted Steel (standard) w/ Trough
- **Sash Type:**  
Vertical (standard)
- **Also Included:**  
Sash Stop  
1/4" Turn Ball Valve Fixtures w/ Lever Handles

### SPECIFY FITTINGS/ FIXTURES REQUIRED:

- SERVICE \_\_\_\_\_
- SERVICE \_\_\_\_\_
- SERVICE \_\_\_\_\_
- SERVICE \_\_\_\_\_
- SERVICE \_\_\_\_\_
- ALARM 500
- ALARM 1000
- OTHER ALARM (CUTOUT ONLY)
- BLOWER SWITCH (OPTIONAL)
- 120V GFI DUPLEX (OPTIONAL)

### SPECIFY FITTINGS/ FIXTURES REQUIRED:

- SERVICE \_\_\_\_\_
- SERVICE \_\_\_\_\_
- SERVICE \_\_\_\_\_
- SERVICE \_\_\_\_\_
- SERVICE \_\_\_\_\_
- ALARM 500
- ALARM 1000
- OTHER ALARM / VAV (CUTOUT ONLY)
- LIGHT SWITCH (OPTIONAL)
- 120V GFI DUPLEX (OPTIONAL)



### LINER MATERIAL:

- POLY RESIN (standard)
- 304 STAINLESS STEEL
- 316 STAINLESS STEEL
- PVC
- SPECIAL

### PRE-PIPING:

- YES  NO
- PRE-PIPING UP
- PRE-PIPING DOWN

### BYPASS TYPE:

- OPEN BYPASS (standard)
- RESTRICTED BYPASS

### OPTIONAL FH DEPTH:

- 39.25" Deep w/ 36" D
- Epoxy dished top

### SPECIAL REQUIREMENTS:

### WIRING DIAGRAM

- WIRING DIAGRAM REQUIRED

### BASE CABINET OPTIONS:

CORROSIVE CABINET	___"W x ___"H x ___"D
FLAMMABLE CABINET	___"W x ___"H x ___"D
VACUUM PUMP CABINET	___"W x ___"H x ___"D
HOOD BASE FRAME	___"W x ___"H x ___"D
SINK BASE CABINET	___"W x ___"H x ___"D

### CABINET PULL OPTIONS:

- BRUSHED ALUMINUM BAR STYLE
- BRUSHED STEEL WIRE STYLE
- BRUSHED ALUMINUM RECESS STYLE
- BLACK RECESS STYLE
- STAINLESS STEEL WIRE STYLE

### WORK SURFACE MATERIAL:

- BLACK EPOXY (standard)  
Other Color: \_\_\_\_\_
- TYPE 304 STAINLESS STEEL
- TYPE 316 STAINLESS STEEL

## OPTIONAL ACCESSORIES

### Lattice Assembly:

- NONE
- Aluminum Lattice Assembly
- Stainless Steel Assembly

### Interior Lighting Fixture:

- Explosion Proof Light

### Fume Hood Alarm Option:

- Alarm Tel AFA\_500
- Alarm Tel AFA\_1000
- Alarm / VAV Cutout (Customer **MUST** provide cutout detail)

### Sash Frame & Glass:

- Stainless Steel Frame w/ Laminated Safety Glass

### Airfoil:

- Type 304 Stainless Steel
- Type 316 Stainless Steel

### Trough:

- Type 304 Stainless Steel
- Type 316 Stainless Steel

### Ceiling Enclosure:

- Yes (Height: \_\_\_\_\_)  No

### ● Hinged Access Panel on Ceiling Enclosures?:

- Yes  No

### Finished Back:

- Yes  No

### Sash Type:

- Combination (Horizontal/Vertical)
- Horizontal (Sliding only)
- Interlocking

### Additional Options:

- Blower  Sash Locks
- Sash Stops  Electronic Sash Closer
- Restricted By Pass
- Automatic Sash Return
- Sash Cap

### Pass Through Cord Ports

- 1.5" Dia. Front Post Cord Ports
- \_\_\_\_\_ Dia. Side Panel Cord Ports (please specify size)

### Pre-Wire + Electrical:

- Yes  No

**AIR MASTER SYSTEMS CORP**  
6480 NORTON CENTER DR.  
MUSKEGON, MI 49441  
TEL: (231) 798-1111 FAX: (231) 798-4000

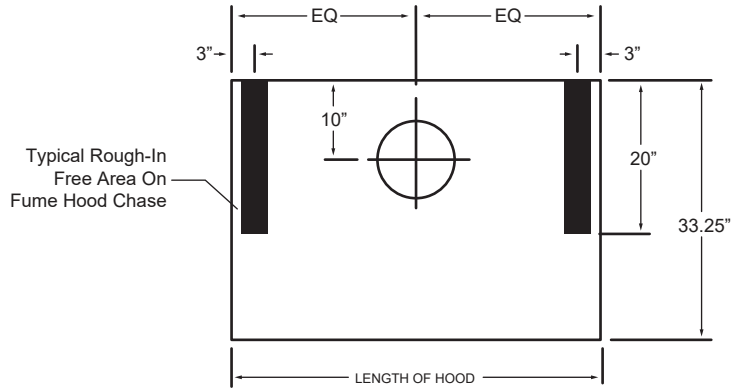
**CUSTOMER:** \_\_\_\_\_

**QTY:** \_\_\_\_\_

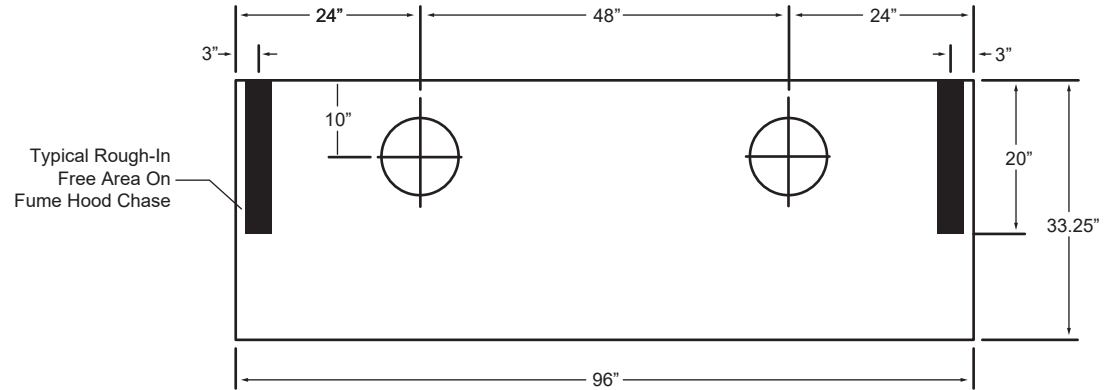
**COLOR:** \_\_\_\_\_

# THE ELIMINATOR 500 SERIES: ADA DESIGN

APPLICATIONS: K-12; UNIVERSITY; PRIVATE INDUSTRY



**SERVICE ROUGH-IN DETAIL**  
(FOR 36", 48", 60", & 72" HOODS)



**SERVICE ROUGH-IN DETAIL**  
(FOR 96" HOODS)

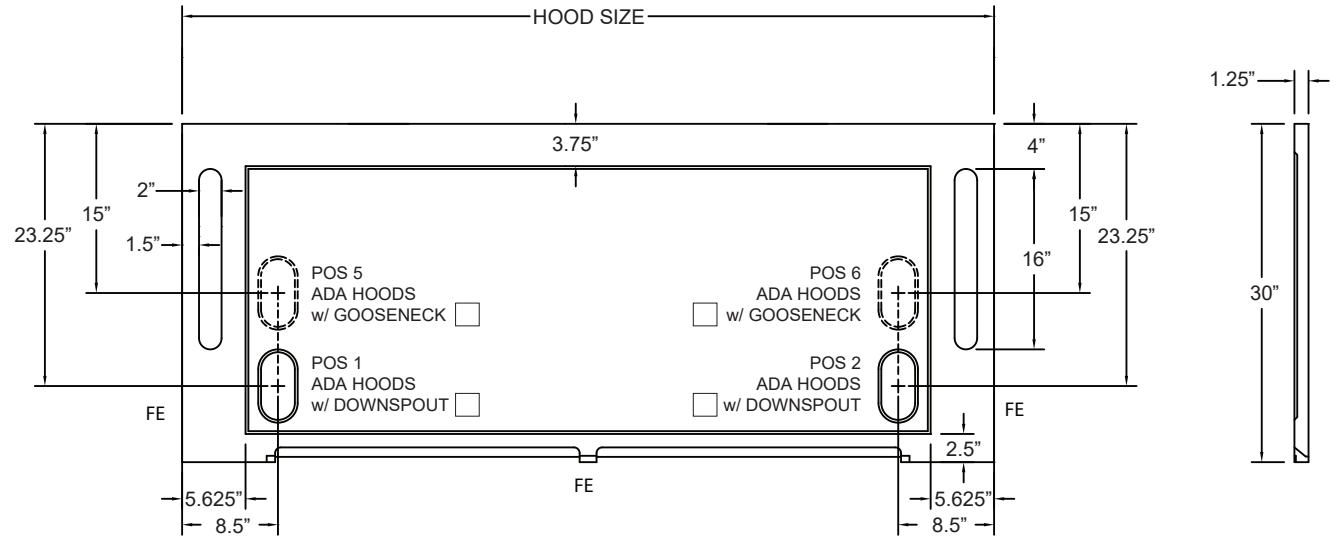
## EPOXY WORK SURFACE (SPECIFY LOCATION OF CUPSINK)

Include Acid Cabinet Vent Hole

### CUPSINK OPTIONS:

- 3" x 6"
- 3" x 9"
- OTHER \_\_\_\_\_
- NONE

ADD 0.25" RAISED RIM



PART #	SUPERSTRUCTURE			WORKTOP			HOOD OPENING		CFM @29"	CFM @18"	SP	BLOWER MODEL #	SHIPPING WEIGHT
	W	H	D	W	H	D	W	H					
EH-511-48	48"	56"	33.25"	48"	1.25"	30"	38"	29"	833	521	.25	BL-500-48	395
EH-511-60	60"	56"	33.25"	60"	1.25"	30"	50"	29"	1100	688	.34	BL-500-60	450
EH-511-72	72"	56"	33.25"	72"	1.25"	30"	62"	29"	1367	854	.34	BL-500-72	525
EH-511-96	96"	56"	33.25"	96"	1.25"	30"	86"	29"	1900	1188	.40	BL-500-96	630