

# THE ELIMINATOR 600 SERIES: RADIO ISOTOPE HOOD

APPLICATIONS: K-12; UNIVERSITY; PRIVATE INDUSTRY

## SPECIFY FITTINGS/ FIXTURES REQUIRED:

SERVICE  
SERVICE  
SERVICE  
SERVICE  
SERVICE

ALARM 500   
ALARM 1000   
OTHER ALARM (CUTOUT ONLY)

BLOWER SWITCH (OPTIONAL)

120V GFI DUPLEX (OPTIONAL)

## LINER MATERIAL:

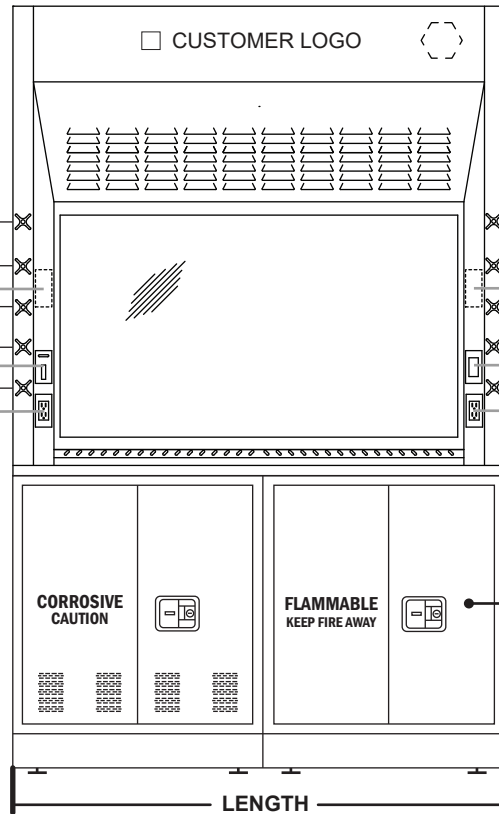
304 STAINLESS STEEL   
316 STAINLESS STEEL

## PRE-PIPING:

YES  NO   
PRE-PIPING UP   
PRE-PIPING DOWN

## BYPASS TYPE:

OPEN BYPASS (standard)   
RESTRICTED BYPASS



36"  48"  60"  72"  96"

SPECIAL REQUIREMENTS: \_\_\_\_\_  
\_\_\_\_\_  
\_\_\_\_\_

## WIRING DIAGRAM

WIRING DIAGRAM REQUIRED

## SPECIFY FITTINGS/ FIXTURES REQUIRED:

SERVICE  
SERVICE  
SERVICE  
SERVICE  
SERVICE

ALARM 500   
ALARM 1000   
OTHER ALARM / VAV (CUTOUT ONLY)

LIGHT SWITCH (OPTIONAL)

120V GFI DUPLEX (OPTIONAL)

## BASE CABINET OPTIONS:

CORROSIVE CABINET	___"W x ___"H x ___"D
FLAMMABLE CABINET	___"W x ___"H x ___"D
VACUUM PUMP CABINET	___"W x ___"H x ___"D
HOOD BASE FRAME	___"W x ___"H x ___"D
SINK BASE CABINET	___"W x ___"H x ___"D

## CABINET PULL OPTIONS:

BRUSHED ALUMINUM BAR STYLE  
 BRUSHED STEEL WIRE STYLE  
 BRUSHED ALUMINUM RECESS STYLE  
 BLACK RECESS STYLE  
 STAINLESS STEEL WIRE STYLE

## WORK SURFACE MATERIAL:

TYPE 304 STAINLESS STEEL  
 TYPE 316 STAINLESS STEEL

## STANDARD FEATURES

- **Interior Baffle Arrangement:**  
Fixed Baffles (standard)
- **Exhaust Collar:**  
Type 304 s/s - 10" Dia. Round (standard)  
Other \_\_\_\_\_
- **Interior Lighting Fixture:**  
Standard LED Fixtures (standard)
- **Sash Frame & Glass:**  
304 Stainless Steel Frame w/ Laminated Safety Glass (standard)
- **Sash Type:**  
Vertical (standard)
- **Additional Features:**  
304 Stainless Steel Airfoil  
Type 304 Stn. Stl. one-piece integral work surface & liner

## OPTIONAL ACCESSORIES

### Lattice Assembly:

NONE  
 Aluminum Lattice Assembly  
 Stainless Steel Assembly

### Interior Lighting Fixture:

Explosion Proof Light

### Fume Hood Alarm Option:

Alarm Tel AFA\_500  
 Alarm Tel AFA\_1000  
 Alarm / VAV Cutout (Customer **MUST** provide cutout detail)

### Sash Frame & Glass:

316 Stainless Steel Frame w/ Laminated Safety Glass

### Airfoil:

Type 316 Stainless Steel

### Trough:

NONE (Standard)  
 Type 304 Stainless Steel  
 Type 316 Stainless Steel

### Ceiling Enclosure:

Yes (Height: \_\_\_\_\_)  No

### • Hinged Access Panel on Ceiling Enclosures?:

Yes  No

### Finished Back:

Yes  No

### Sash Type:

Combination (Horizontal + Vertical)  
 Horizontal (Sliding only)  
 Interlocking

### Additional Options:

Blower  Sash Alarm  
 Automatic Sash Return  Sash Locks  
 Sash Cap

### Service Fixture Type:

Ball valve w/ lever handles (ADA)  
 Standard Remote Valve w/ four-arm handle  
 Front Mount Valve w/ four-arm handle  
 Special Plumbing Requirements: \_\_\_\_\_

### Pre-Wire + Electrical:

Yes  No

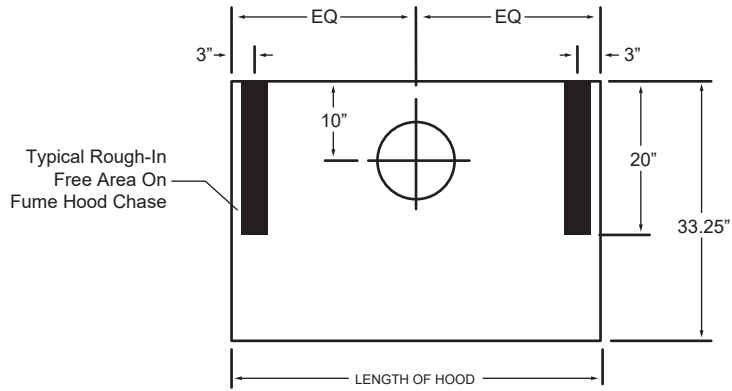
CUSTOMER: \_\_\_\_\_

QTY: \_\_\_\_\_

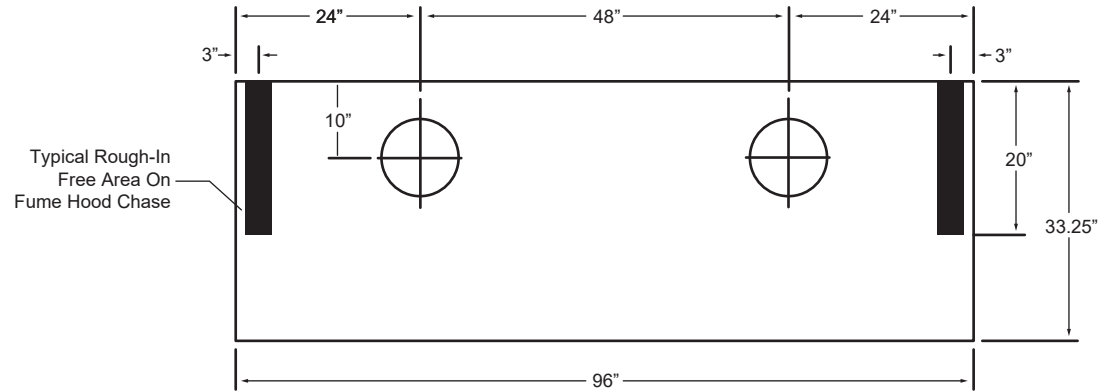
COLOR: \_\_\_\_\_

# THE ELIMINATOR 600 SERIES: RADIO ISOTOPE HOOD

APPLICATIONS: K-12; UNIVERSITY; PRIVATE INDUSTRY



**SERVICE ROUGH-IN DETAIL**  
(FOR 36", 48", 60", & 72" HOODS)



**SERVICE ROUGH-IN DETAIL**  
(FOR 96" HOODS)

## EPOXY WORK SURFACE (SPECIFY LOCATION OF CUPSINK)

\*When utilizing 22" deep cabinets, cup sink measurement changes to 5.25" in lieu of 9"

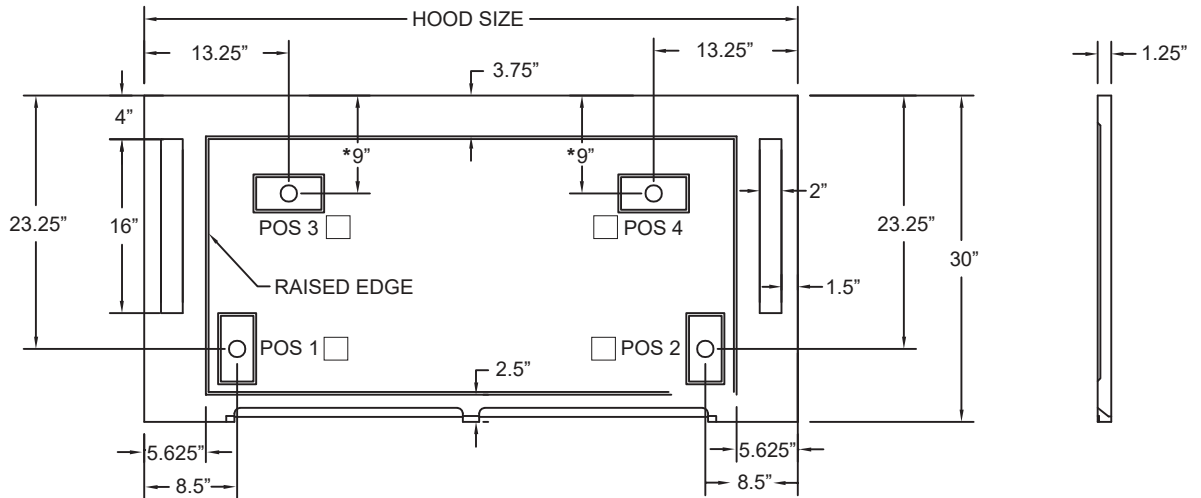
*Note: This location will have the cup sink sit slightly under the baffle.*

Include Acid Cabinet Vent Hole

### CUPSINK OPTIONS:

- 3" x 6"
- 3" x 9"
- OTHER \_\_\_\_\_
- NONE

ADD 0.25" RAISED RIM



PART #	SUPERSTRUCTURE			WORKTOP			HOOD OPENING		CFM @29"	CFM @18"	SP	BLOWER MODEL #	SHIPPING WEIGHT
	W	H	D	W	H	D	W	H					
EH-613-36	36"	56"	33.25"	36"	1.25"	30"	26"	29"	567	354	.25	BL-600-36	190
EH-613-48	48"	56"	33.25"	48"	1.25"	30"	38"	29"	833	521	.25	BL-600-48	560
EH-613-60	60"	56"	33.25"	60"	1.25"	30"	50"	29"	1100	688	.34	BL-600-60	675
EH-613-72	72"	56"	33.25"	72"	1.25"	30"	62"	29"	1367	854	.34	BL-600-72	790
EH-613-96	96"	56"	33.25"	96"	1.25"	30"	86"	29"	1900	1188	.40	BL-600-96	1025