

THE ELIMINATOR 700 SERIES: PERCHLORIC ACID HOOD

APPLICATIONS: K-12; UNIVERSITY; PRIVATE INDUSTRY

SPECIFY FITTINGS/ FIXTURES REQUIRED:

SERVICE
SERVICE
SERVICE
SERVICE
SERVICE

ALARM 500
ALARM 1000
OTHER ALARM / VAV (CUTOUT ONLY)

BLOWER SWITCH (OPTIONAL)

120V GFI DUPLEX (OPTIONAL)

SPECIFY FITTINGS/ FIXTURES REQUIRED:

COLD WATER WASH DOWN SERVICE
SERVICE
SERVICE
SERVICE
SERVICE

COLD WATER WASH DOWN REQUIRED FOR PERCHLORIC ACID HOOD
If needed in other location, specify:

LIGHT SWITCH (OPTIONAL)

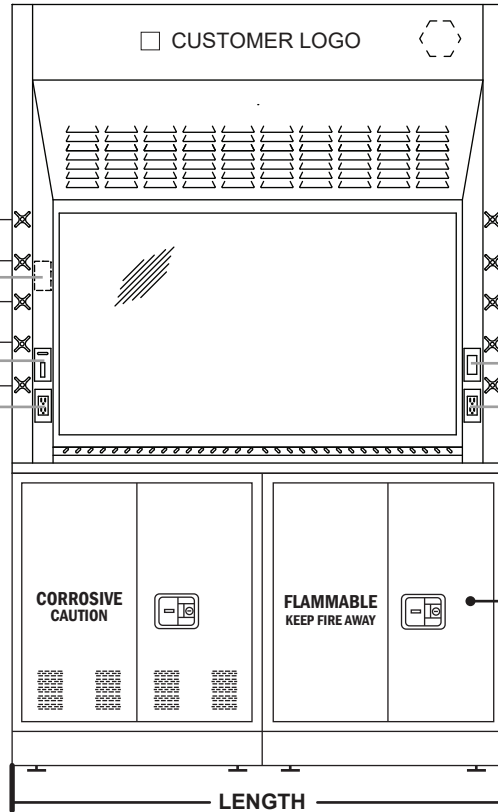
120V GFI DUPLEX (OPTIONAL)

STANDARD FEATURES

- **Interior Baffle Arrangement:**
Fixed Baffles (standard)
- **Exhaust Collar:**
Type 316 s/s - 10" Dia. Round (standard)
Other _____
- **Interior Lighting Fixture:**
Standard LED Fixtures (standard)
- **Sash Frame & Glass:**
316 Stainless Steel Frame w/ Laminated Safety Glass (standard)
- **Airfoil:**
316 Stainless Steel (standard)
- **Sash Type:**
Vertical (standard)
- **Additional Features:**
Type 316 Stainless Steel Built-In Trough
Type 316 Stn. Stl. One-piece integral work surface & liner

OPTIONAL ACCESSORIES

- Lattice Assembly:**
- NONE
 - Aluminum Lattice Assembly
 - Stainless Steel Assembly
- Interior Lighting Fixture:**
- Explosion Proof Light
- Fume Hood Alarm Option:**
- Alarm Tel AFA_500
 - Alarm Tel AFA_1000
 - Alarm / VAV Cutout (Customer **MUST** provide cutout detail)
- Ceiling Enclosure:**
- Yes (Height: _____) No
 - **Hinged Access Panel on Ceiling Enclosures?:**
 Yes No
- Finished Back:**
- Yes No
- Sash Type:**
- Combination (Horizontal + Vertical)
 - Horizontal (Sliding only)
 - Interlocking
- Additional Options:**
- Blower Sash Alarm
 - Automatic Sash Return Sash Locks
 - Sash Cap
- Pass Through Cord Ports**
- 1.5" Dia. Front Post Cord Ports
 - _____ Dia. Side Panel Cord Ports (please specify size)
- Service Fixture Type:**
- Ball valve w/ lever handles (ADA)
 - Standard Remote Valve w/ four-arm handle
 - Front Mount Valve w/ four-arm handle
 - Special Plumbing Requirements: _____
- Pre-Wire + Electrical:**
- Yes No



BASE CABINET OPTIONS:

CORROSIVE CABINET	___"W x ___"H x ___"D
FLAMMABLE CABINET	___"W x ___"H x ___"D
VACUUM PUMP CABINET	___"W x ___"H x ___"D
HOOD BASE FRAME	___"W x ___"H x ___"D
SINK BASE CABINET	___"W x ___"H x ___"D

CABINET PULL OPTIONS:

- BRUSHED ALUMINUM BAR STYLE
- BRUSHED STEEL WIRE STYLE
- BRUSHED ALUMINUM RECESS STYLE
- BLACK RECESS STYLE
- STAINLESS STEEL WIRE STYLE

WIRING DIAGRAM

WIRING DIAGRAM REQUIRED

PRE-PIPING:

YES NO

PRE-PIPING UP
PRE-PIPING DOWN

BYPASS TYPE:

OPEN BYPASS (standard)
RESTRICTED BYPASS

LENGTH
 36" 48" 60" 72" 96"

Custom sizes available ; Contact AMS

SPECIAL REQUIREMENTS: _____

CUSTOMER: _____

QTY: _____

COLOR: _____

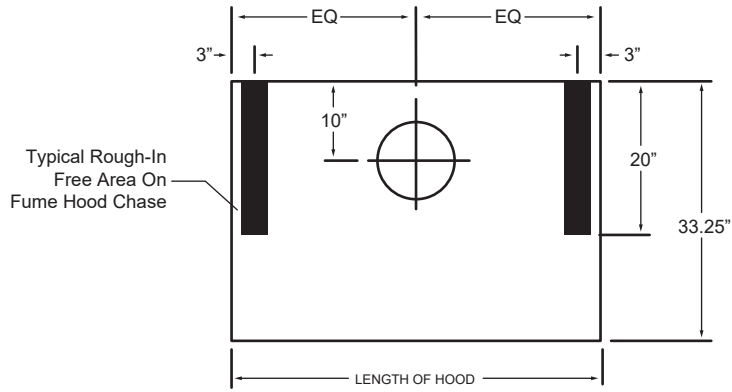


AIR MASTER SYSTEMS CORP
6480 NORTON CENTER DR.
MUSKEGON, MI 49441

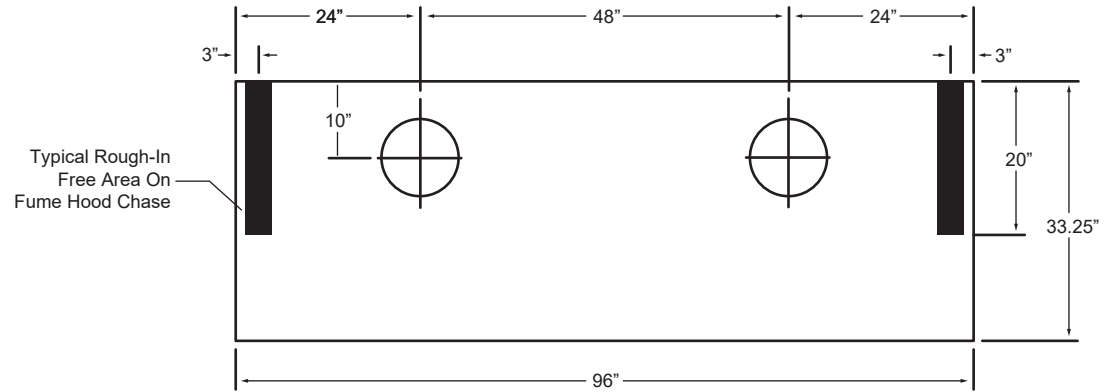
TEL: (231) 798-1111 FAX: (231) 798-4000

THE ELIMINATOR 700 SERIES: PERCHLORIC ACID HOOD

APPLICATIONS: K-12; UNIVERSITY; PRIVATE INDUSTRY



**SERVICE ROUGH-IN DETAIL
(FOR 36", 48", 60", & 72" HOODS)**



**SERVICE ROUGH-IN DETAIL
(FOR 96" HOODS)**

PART #	SUPERSTRUCTURE			WORKTOP			HOOD OPENING		CFM @29"	CFM @18"	SP	BLOWER MODEL #	SHIPPING WEIGHT
	W	H	D	W	H	D	W	H					
EH-716-36	36"	56"	33.25"	36"	1.25"	30"	26"	29"	567	354	.26	BL-700-36	190
EH-716-48	48"	56"	33.25"	48"	1.25"	30"	38"	29"	833	521	.33	BL-700-48	560
EH-716-60	60"	56"	33.25"	60"	1.25"	30"	50"	29"	1100	688	.34	BL-700-60	675
EH-716-72	72"	56"	33.25"	72"	1.25"	30"	62"	29"	1367	854	.34	BL-700-72	790
EH-716-96	96"	56"	33.25"	96"	1.25"	30"	86"	29"	1900	1188	.40	BL-700-96	1025