

# THE ELIMINATOR HP SERIES: LOW FLOW/ENERGY EFFICIENT

APPLICATIONS: HIGHER EDUCATION; INDUSTRIAL; BIO TECH / R&D

## STANDARD FEATURES

- **Interior Baffle Arrangement:**  
Fixed Baffles (standard)
- **Exhaust Collar:**  
Type 304 s/s - 10" Dia. Round (standard)  
Other \_\_\_\_\_
- **Interior Lighting Fixture:**  
Standard LED Fixtures (standard)
- **Sash Frame & Glass:**  
Painted Steel Frame w/ Laminated Safety Glass (standard)
- **Airfoil:**  
Painted Steel (standard)
- **Sash Type:**  
Vertical (standard)
- **Pre-Piping / Pre-Wiring:**  
All hoods are pre-wired & pre-piped unless otherwise noted.

### SPECIFY FITTINGS/ FIXTURES REQUIRED:

SERVICE \_\_\_\_\_  
SERVICE \_\_\_\_\_  
SERVICE \_\_\_\_\_  
SERVICE \_\_\_\_\_  
SERVICE \_\_\_\_\_

- ALARM 500   
ALARM 1000   
OTHER ALARM / AVA (CUTOUT ONLY)

- BLOWER SWITCH (OPTIONAL)   
120V GFI DUPLEX (OPTIONAL)

### SPECIFY FITTINGS/ FIXTURES REQUIRED:

SERVICE \_\_\_\_\_  
SERVICE \_\_\_\_\_  
SERVICE \_\_\_\_\_  
SERVICE \_\_\_\_\_  
SERVICE \_\_\_\_\_

- ALARM 500   
ALARM 1000   
OTHER ALARM / VAV (CUTOUT ONLY)

- LIGHT SWITCH (OPTIONAL)   
120V GFI DUPLEX (OPTIONAL)

### LINER MATERIAL:

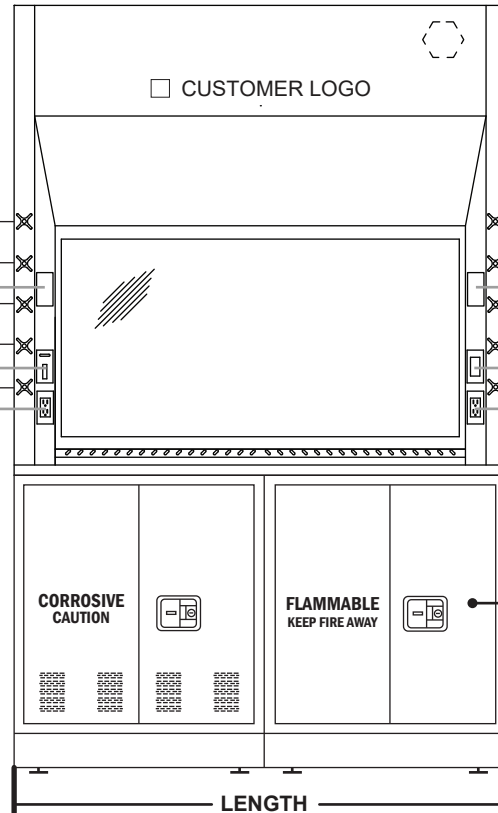
- POLY RESIN (standard)   
304 STAINLESS STEEL   
316 STAINLESS STEEL   
PVC   
SPECIAL

### PRE-PIPING:

- YES  NO   
PRE-PIPING UP   
PRE-PIPING DOWN

### BYPASS TYPE:

- OPEN BYPASS (standard)   
RESTRICTED BYPASS



LENGTH  48"  60"  72"  96"

Custom sizes available ; Contact AMS

SPECIAL REQUIREMENTS: \_\_\_\_\_  
\_\_\_\_\_  
\_\_\_\_\_

### WIRING DIAGRAM

- WIRING DIAGRAM REQUIRED

### BASE CABINET OPTIONS:

CORROSIVE CABINET	___"W x ___"H x ___"D
FLAMMABLE CABINET	___"W x ___"H x ___"D
VACUUM PUMP CABINET	___"W x ___"H x ___"D
HOOD BASE FRAME	___"W x ___"H x ___"D
SINK BASE CABINET	___"W x ___"H x ___"D

### CABINET PULL OPTIONS:

- BRUSHED ALUMINUM BAR STYLE  
 BRUSHED STEEL WIRE STYLE  
 BRUSHED ALUMINUM RECESS STYLE  
 BLACK RECESS STYLE  
 STAINLESS STEEL WIRE STYLE

### WORK SURFACE MATERIAL:

- BLACK EPOXY (standard)  
Other Color: \_\_\_\_\_  
 TYPE 304 STAINLESS STEEL  
 TYPE 316 STAINLESS STEEL

## OPTIONAL ACCESSORIES

### Lattice Assembly:

- NONE  
 Aluminum Lattice Assembly  
 Stainless Steel Assembly

### Interior Lighting Fixture:

- Explosion Proof Light

### Fume Hood Alarm Option:

- Alarm Tel AFA\_500  
 Alarm Tel AFA\_1000  
 Alarm / VAV Cutout (Customer **MUST** provides cutout detail)

### Sash Frame & Glass:

- Stainless Steel Frame w/ Laminated Safety Glass

### Airfoil:

- Type 304 Stainless Steel  
 Type 316 Stainless Steel

### Trough:

- NONE (Standard)  
 Painted Steel  
 Type 304 Stainless Steel  
 Type 316 Stainless Steel

### Ceiling Enclosure:

- Yes (Height: \_\_\_\_\_)  No  
● Hinged Access Panel on Ceiling Enclosures?:  
 Yes  No

### Finished Back:

- Yes  No

### Sash Type:

- Combination (Horizontal + Vertical)  
 Horizontal (Sliding only)  
 Interlocking

### Additional Options:

- Blower  Sash Alarm  
 Sash Stops  Sash Locks  
 Automatic Sash Return  Electronic Sash Closer  
 Sash Alarm

### Pass Through Cord Ports

- 1.5" Dia. Front Post Cord Ports  
 \_\_\_\_\_ Dia. Side Panel Cord Ports (please specify size)

### Service Fixture Type:

- Ball valve w/ lever handles  
 Standard Remote Valve w/ four-arm handle  
 Front Mount Valve w/ four-arm handle  
 Special Plumbing Requirements: \_\_\_\_\_

### Pre-Wire + Electrical:

- Yes  No



AIR MASTER SYSTEMS CORP  
6480 NORTON CENTER DR.  
MUSKEGON, MI 49441

TEL: (231) 798-1111 FAX: (231) 798-4000

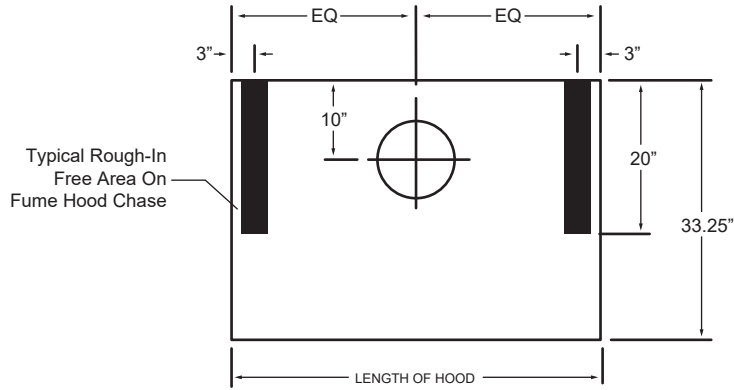
CUSTOMER: \_\_\_\_\_

QTY: \_\_\_\_\_

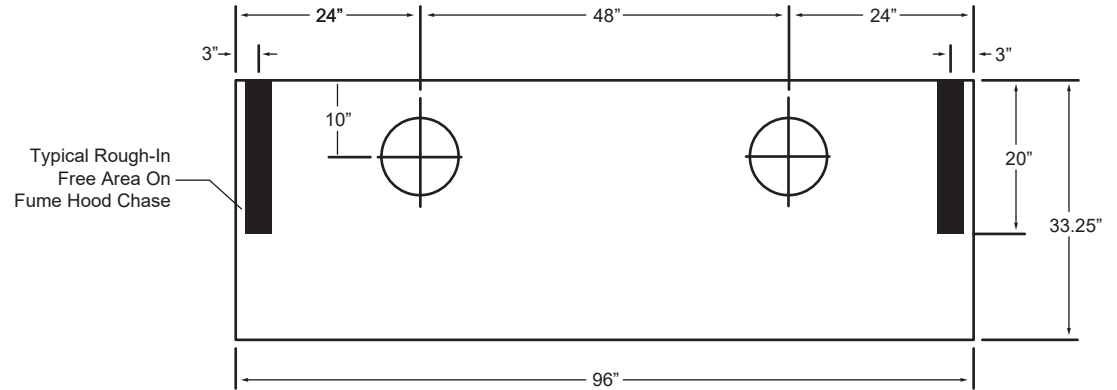
COLOR: \_\_\_\_\_

# THE ELIMINATOR HP SERIES: LOW FLOW/ENERGY EFFICIENT

APPLICATIONS: HIGHER EDUCATION; INDUSTRIAL; BIO TECH / R&D



**SERVICE ROUGH-IN DETAIL  
(FOR 48", 60", & 72" HOODS)**



**SERVICE ROUGH-IN DETAIL  
(FOR 96" HOODS)**

## EPOXY WORK SURFACE (SPECIFY LOCATION OF CUPSINK)

\*When utilizing 22" deep cabinets, cup sink measurement changes to 5.25" in lieu of 9"

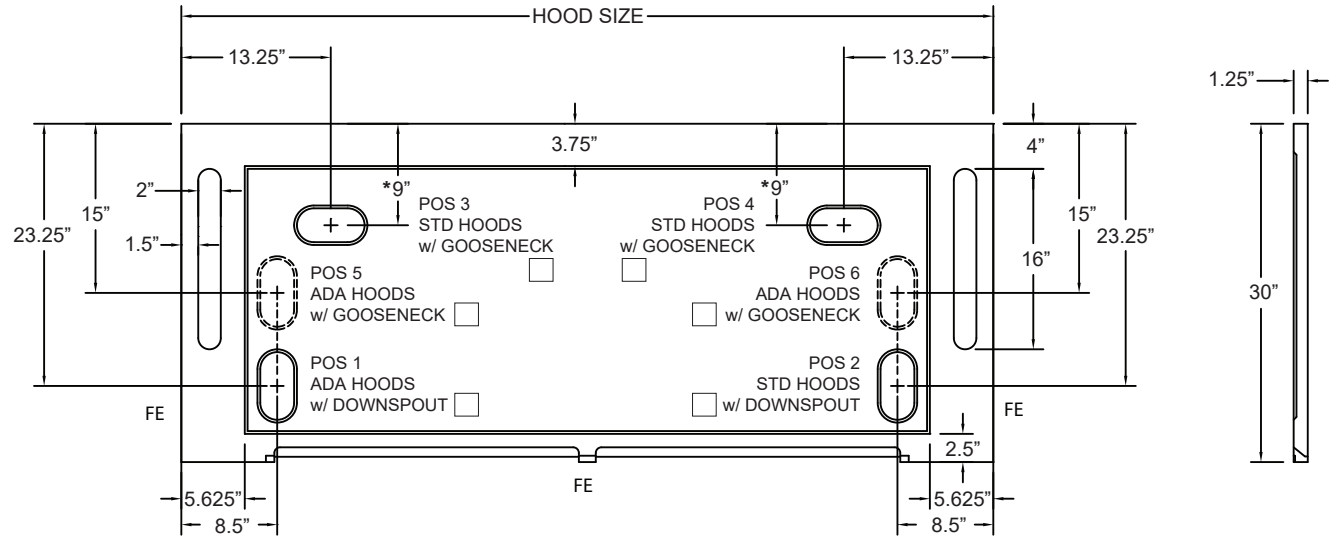
Note: This location will have the cup sink sit slightly under the baffle.

Include Acid Cabinet Vent Hole

### CUPSINK OPTIONS:

- 3" x 6"
- 3" x 9"
- OTHER \_\_\_\_\_
- NONE

ADD 0.25" RAISED RIM



PART #	SUPERSTRUCTURE			WORKTOP			HOOD OPENING		CFM @28"	CFM @18"	SP	BLOWER MODEL #	SHIPPING WEIGHT
	W	H	D	W	H	D	W	H					
EH-HP-48	48"	56"	33.25"	48"	1.25"	30"	38"	28"	469	313	.25	BL-HP-48	415
EH-HP-60	60"	56"	33.25"	60"	1.25"	30"	50"	28"	619	413	.34	BL-HP-60	490
EH-HP-72	72"	56"	33.25"	72"	1.25"	30"	62"	28"	769	513	.34	BL-HP-72	535
EH-HP-96	96"	56"	33.25"	96"	1.25"	30"	86"	28"	1069	713	.34	BL-HP-96	570

\*Height of open sash; CFM Calculated at 60 FPM