

The Eliminator 300 Series

The Eliminator 300 series is a thin-wall fume hood with slimmer front posts to expand the workspace. Posts are 2-1/2" (64 mm) wide.

Because the slimmer posts remove the option for wiring and plumbing in the posts, plumbing services must be deck mounted. Optional light and blower switches can be mounted on the post.

Five standard widths with unlimited heights and depths are available, making this one of the most flexible fume hoods available anywhere.

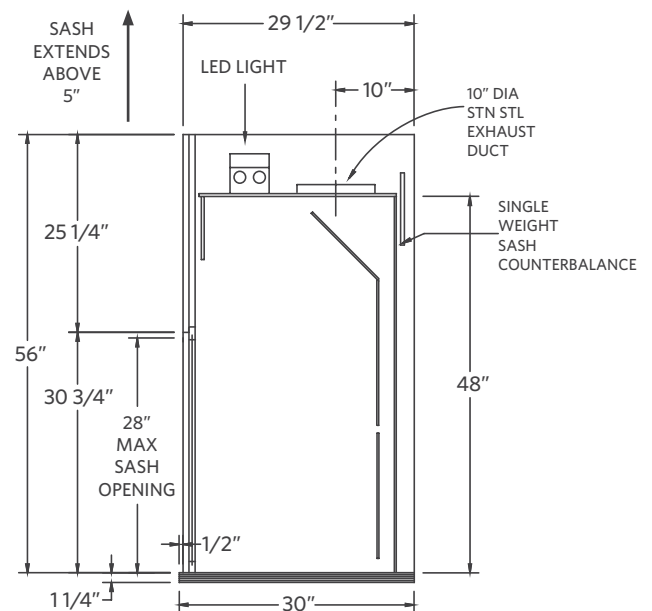
ELIMINATOR 300 - THIN WALL

Thin Wall - Expanded Workspace



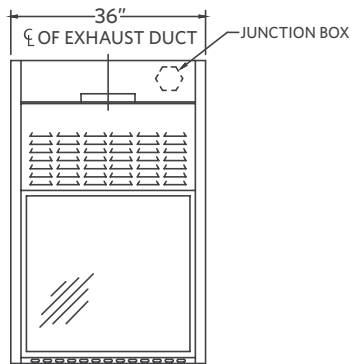
**U.L. 1805
Classified**

- Powder coat finish
- Full frame construction
- Shaft drive sash
- U.L. listed poly resin liner
- LED light with bulbs
- Knock down capability
- Full-length finger lift
- Louvered front for by-pass

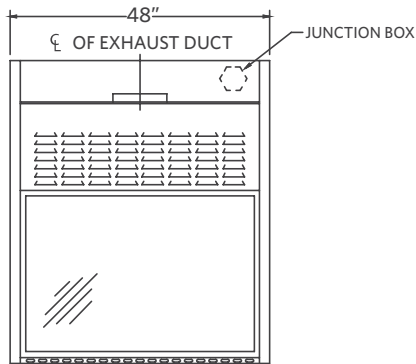


Part Number	Superstructure			Worktop			Hood Opening		CFM @ 28"*	CFM @ 18"*	SP	Blower Model #	Shipping Weight
	W	H	D	W	H	D	W	H					
EH-311-36	36"	56"	29-1/2"	36"	1-1/4"	30"	26"	28"	646	431	.25	BL-300-36	190
EH-311-48	48"	56"	29-1/2"	48"	1-1/4"	30"	43"	28"	896	597	.25	BL-300-48	175
EH-311-60	60"	56"	29-1/2"	60"	1-1/4"	30"	55"	28"	1146	764	.39	BL-300-60	200
EH-311-72	72"	56"	29-1/2"	72"	1-1/4"	30"	67"	28"	1417	944	.37	BL-300-72	250
EH-311-96	96"	56"	29-1/2"	96"	1-1/4"	30"	91"	28"	1896	1264	.43	BL-300-96	275

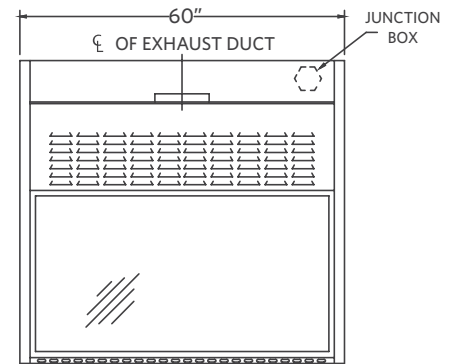
The Eliminator 300 Series



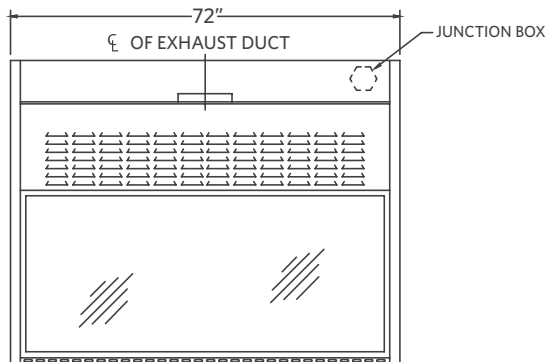
EH-311-36



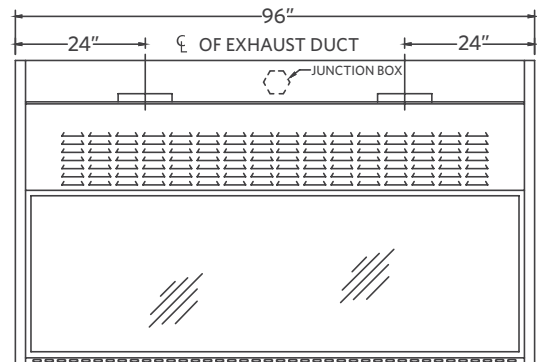
EH-311-48



EH-311-60



EH-311-72



EH-311-96

Accessories

ITEM	AMS PT#	PAGE #	ITEM	AMS PT#	PAGE #
Ceiling Enclosures	CE	33	Sash Stops	SASHSTOP	38
Plumbing Accessories		34	Chain and Sprocket Drive	CHNSPK	CALL
Electrical Accessories		35	Stainless Steel Sash	SS SASH	38
Epoxy Tops	ET	39	Combination Sash	H&V	38
Alarms	ALARM	32	Lattice Assembly	AUTO RETURN	CALL
Base Cabinets	BC	36	Auto Sash Return	LATTICE	38
Blowers	BL	CALL			