

# THE SOLUTION FUME HOOD

APPLICATIONS: K-12; HIGHER EDUCATION; INDUSTRIAL; BIO TECH / R&D

**SPECIFY FITTINGS/  
FIXTURES REQUIRED:**

**SPECIFY FITTINGS/  
FIXTURES REQUIRED:**

## STANDARD FEATURES

- **Interior Baffle Arrangement:**  
Fixed Baffles (standard)
- **Exhaust Collar:**  
Type 304 s/s - 10" Dia. Round (standard)  
Other \_\_\_\_\_
- **Interior Lighting Fixture:**  
Standard LED Fixtures (standard)
- **Sash Frame & Glass:**  
Painted Steel Frame w/ Laminated Safety Glass (standard)
- **Airfoil:**  
Painted Steel (standard)
- **Sash Type:**  
Vertical (standard)
- **Pre-Piping / Pre-Wiring:**  
All hoods are pre-wired & pre-piped unless otherwise noted.
- **Sash Drive:**  
Chain & Sprocket Sash Drive (standard)
- **Sight Line:**  
36-inch high viewing sightline (standard)

## OPTIONAL ACCESSORIES

- Lattice Assembly:**
  - NONE
  - Aluminum Lattice Assembly
  - Stainless Steel Assembly
- Interior Lighting Fixture:**
  - Explosion Proof Light
- Fume Hood Alarm Option:**
  - Alarm Tel AFA\_500
  - Alarm Tel AFA\_1000
  - Alarm / AVA Cutout (Customer **MUST** provides cutout detail)
- Sash Full-Length Finger Lift:**
  - Stainless Steel
- Airfoil:**
  - Type 304 Stainless Steel
  - Type 316 Stainless Steel
- Trough:**
  - NONE (Standard)
  - Painted Steel
  - Type 304 Stainless Steel
  - Type 316 Stainless Steel
- Ceiling Enclosure:**
  - Yes (Height: \_\_\_\_\_)  No
  - **Hinged Access Panel on Ceiling Enclosures?:**
    - Yes  No
- Finished Back:**
  - Yes  No
- Sash Type:**
  - Combination
  - Horizontal
  - Interlocking
- Additional Options:**
  - Blower  Sash Alarm
  - Sash Locks  Electronic Sash Closer
  - Push Button Sash Stop  Sash Cap
  - Automatic Sash Return
- Pass Through Cord Ports**
  - 1.5" Dia. Front Post Cord Ports
  - \_\_\_\_\_ Dia. Side Panel Cord Ports (please specify size)
- Service Fixture Type:**
  - Ball valve w/ lever handles (ADA)
  - Standard Remote Valve w/ four-arm handle
  - Front Mount Valve w/ four-arm handle
  - Special Plumbing Requirements: \_\_\_\_\_
- Pre-Wire + Electrical:**
  - Yes  No

- ALARM 500
- ALARM 1000
- OTHER ALARM / VAV (CUTOUT ONLY)

BLOWER SWITCH (OPTIONAL)

SERVICE

SERVICE

SERVICE

SERVICE

120V GFI DUPLEX (OPTIONAL)

### LINER MATERIAL:

- POLY RESIN (standard)
- 304 STAINLESS STEEL
- 316 STAINLESS STEEL
- PVC
- SPECIAL

### PRE-PIPING:

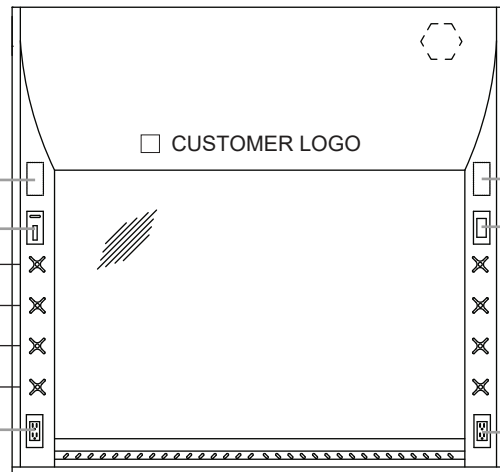
YES  NO

PRE-PIPING UP

PRE-PIPING DOWN

### OPTIONAL FH DEPTH:

39.25" Deep w/ 36" D   
Epoxy dished top



CUSTOMER LOGO

- ALARM 500
- ALARM 1000
- OTHER ALARM / VAV (CUTOUT ONLY)

LIGHT SWITCH (OPTIONAL)

SERVICE

SERVICE

SERVICE

SERVICE

120V GFI DUPLEX (OPTIONAL)

### LINER MATERIAL:

- POLY RESIN (standard)
- 304 STAINLESS STEEL
- 316 STAINLESS STEEL
- PVC
- SPECIAL

### PRE-PIPING:

YES  NO

PRE-PIPING UP

PRE-PIPING DOWN

### OPTIONAL FH DEPTH:

39.25" Deep w/ 36" D   
Epoxy dished top

### BASE CABINET OPTIONS:

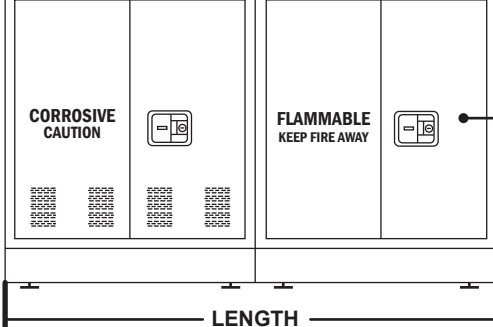
ACID CABINET	___"W x ___"H x ___"D
FLAMMABLE CABINET	___"W x ___"H x ___"D
VACUUM PUMP CABINET	___"W x ___"H x ___"D
HOOD BASE FRAME	___"W x ___"H x ___"D
SINK BASE CABINET	___"W x ___"H x ___"D

### CABINET PULL OPTIONS:

- BRUSHED ALUMINUM BAR STYLE
- BRUSHED STEEL WIRE STYLE
- BRUSHED ALUMINUM RECESS STYLE
- BLACK RECESS STYLE
- STAINLESS STEEL WIRE STYLE

### WORK SURFACE MATERIAL:

- BLACK EPOXY (standard)  
Other Color: \_\_\_\_\_
- TYPE 304 STAINLESS STEEL
- TYPE 316 STAINLESS STEEL



**CORROSIVE  
CAUTION**



**FLAMMABLE  
KEEP FIRE AWAY**



LENGTH

48"  60"  72"  96"

Custom sizes available ; Contact AMS

SPECIAL REQUIREMENTS: \_\_\_\_\_

\_\_\_\_\_

\_\_\_\_\_

### WIRING DIAGRAM

WIRING DIAGRAM REQUIRED

**CUSTOMER:** \_\_\_\_\_

**QTY:** \_\_\_\_\_

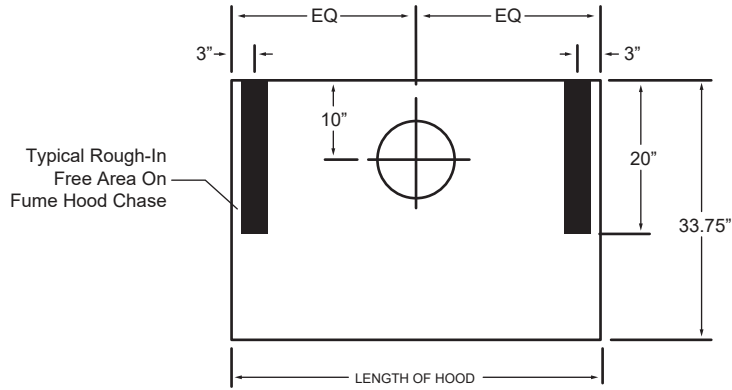
**COLOR:** \_\_\_\_\_

**AIR MASTER SYSTEMS CORP**  
6480 NORTON CENTER DR.  
MUSKEGON, MI 49441

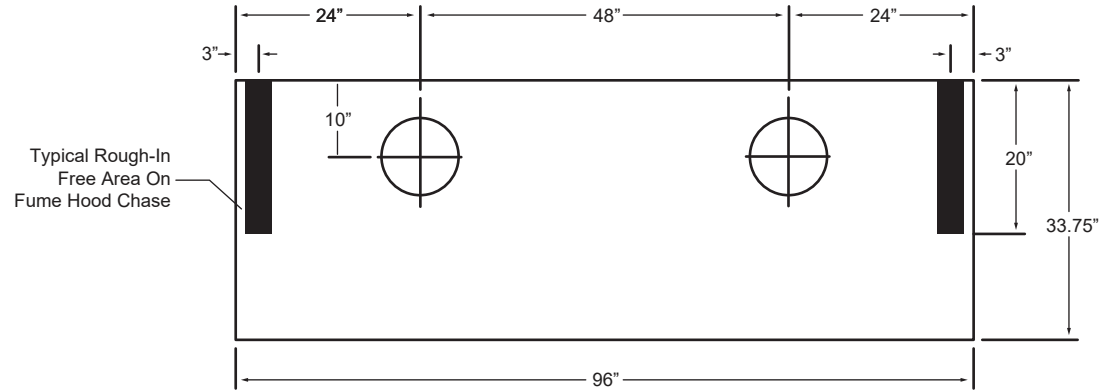
TEL: (231) 798-1111 FAX: (231) 798-4000

# THE SOLUTION FUME HOOD

APPLICATIONS: K-12; HIGHER EDUCATION; INDUSTRIAL; BIO TECH / R&D



**SERVICE ROUGH-IN DETAIL  
(FOR 48", 60", & 72" HOODS)**



**SERVICE ROUGH-IN DETAIL  
(FOR 96" HOODS)**

## EPOXY WORK SURFACE (SPECIFY LOCATION OF CUPSINK)

\*When utilizing 22" deep cabinets, cup sink measurement changes to 5.25" in lieu of 9"

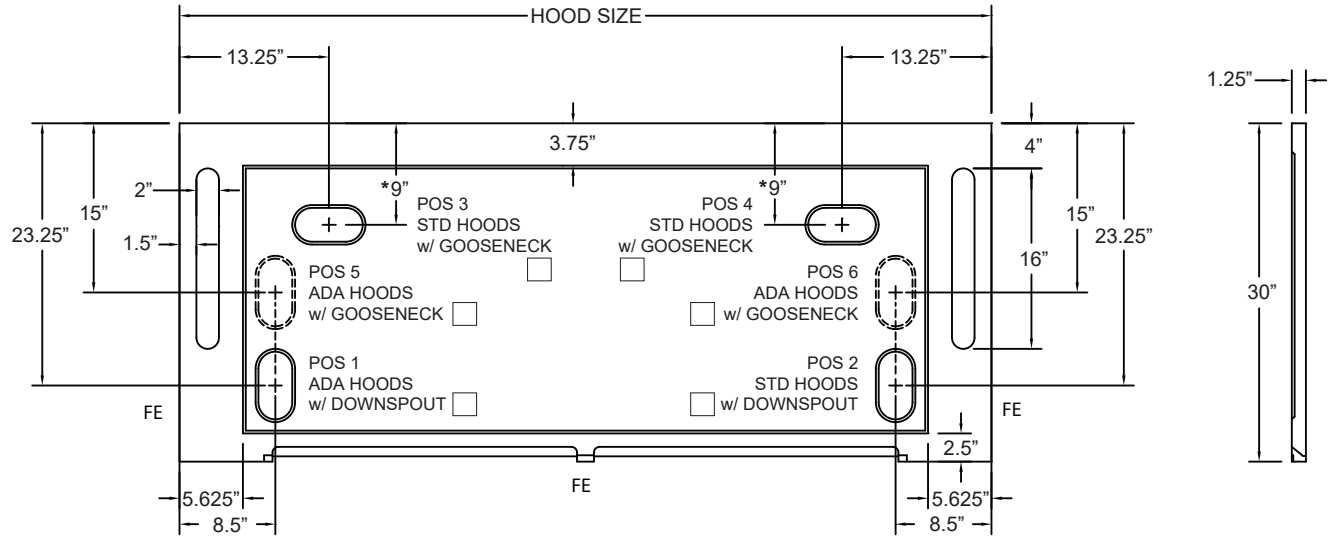
*Note: At 5.25", will have the cup sink sit slightly under the baffle.*

Include Acid Cabinet Vent Hole

### CUPSINK OPTIONS:

- 3" x 6"
- 3" x 9"
- OTHER \_\_\_\_\_
- NONE

ADD 0.25" RAISED RIM



PART #	SUPERSTRUCTURE			18" SASH HT.		HOOD OPENING (SQ. FT)	28" SASH HT.		SP
	W	H	D	CFM @29"	CFM @18"		CFM @29"	CFM @18"	
Solution-48	48"	57.25"	33.75"	739	475	7.39	739	475	.26
Solution-60	60"	57.25"	33.75"	972	625	9.72	972	625	.32
Solution-72	72"	57.25"	33.75"	1206	775	12.06	1206	775	.41
Solution-96	96"	57.25"	33.75"	1672	1075	16.72	1672	1075	.29