

Solution Series Fume Hoods

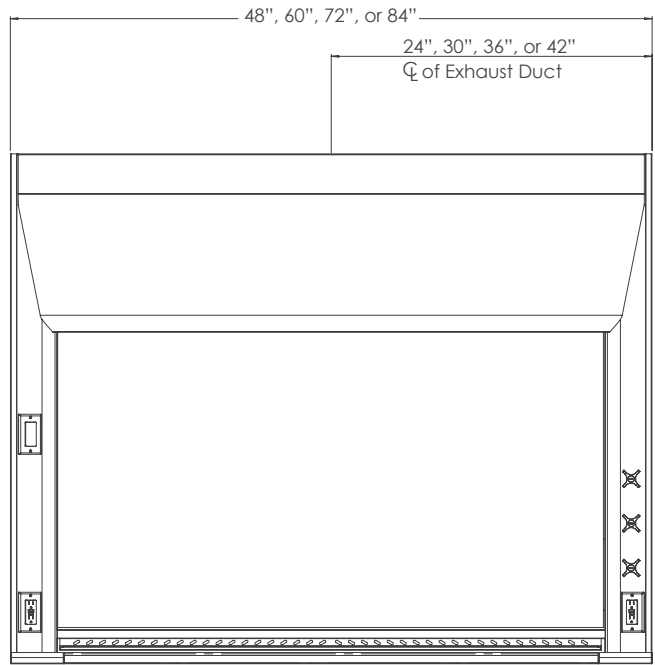


The Solution Hood was designed to handle a multitude of applications. Its streamlined posts and radiused airfoil, along with a 36-inch high viewing area, offer a softer look than conventional fume hoods. The hood passed NIH, EPA and ASHRAE 110 testing by a third party at 100 FPM and 60 FPM full open and at 18 inches. The hood can be used in both CV and VAV designs.

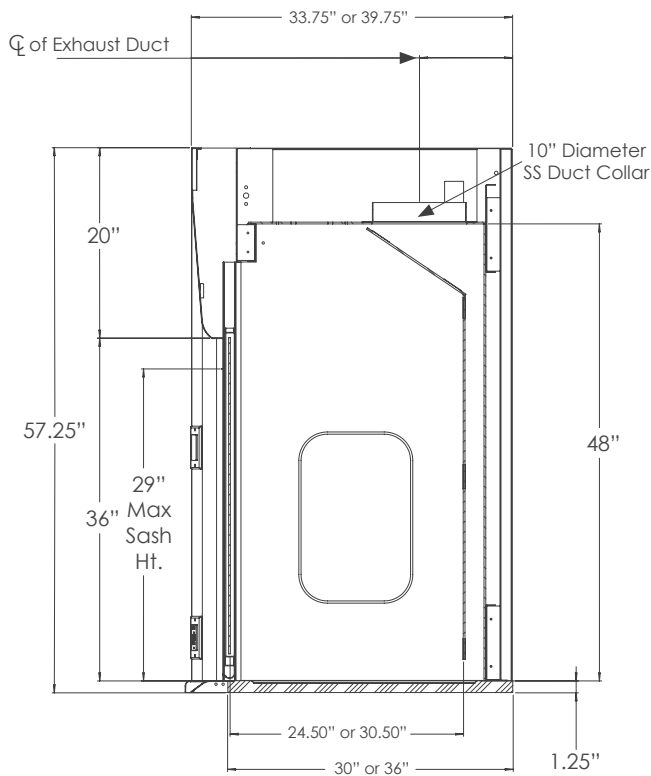


Standard Configurations

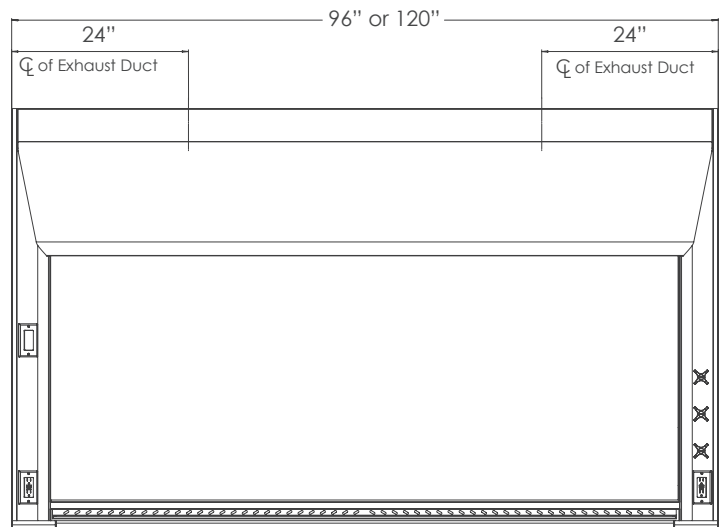
- Designed for CV or VAV HVAC systems
- Optimal interior working depth
- Chain and sprocket shaft drive sash
- 10" Round SS Duct Collar(s)
- Full Frame Construction
- Powder Coated Finish
- UL1805 Listed
- Flush mount airfoil
- LED Lights
- Full-length finger lift
- Knock down ready
- 60-100 FPM
- 36" High Sightline
- Frameless Sash



Solution Hood 48" - 72" Front View



Solution Hood Side View



Solution Hood 96" Front View

*** Rectangular to 12" round transition available**

Technical Data

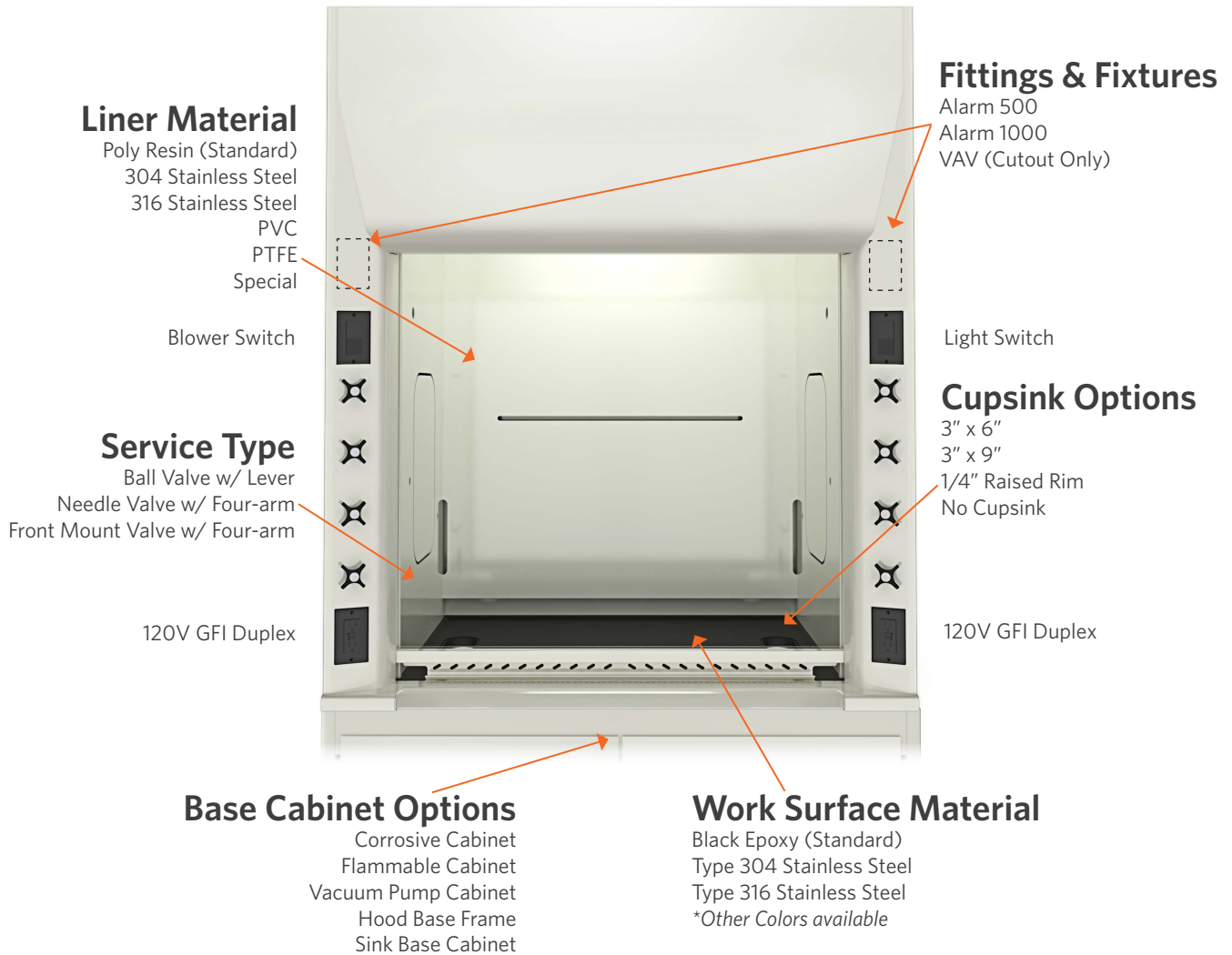
Solution Fume Hoods come in a variety of options and sizes. Check with your local representative for all of the different available options to fit your needs.

Part Number*	18" Sash Height		28" Sash Height	
	CFM @ 100 FPM / Static Pressure	CFM @ 60 FPM / Static Pressure	CFM @ 100 FPM / Static Pressure	CFM @ 60 FPM / Static Pressure
Solution-48	475 / 0.10	285 / 0.04	739 / 0.26	433 / 0.09
Solution-60	625 / 0.12	375 / 0.05	972 / 0.32	583 / 0.12
Solution-72	775 / 0.16	465 / 0.06	1206 / 0.41	723 / 0.15
Solution-84	925 / 0.20	555 / 0.07	1438 / 0.50	863 / 0.18
Solution-96	1075 / 0.11	645 / 0.04	1672 / 0.29	1003 / 0.10
Solution-120	1375 / 0.17	825 / 0.06	2138 / 0.43	1283 / 0.16

The Solution Ducted Hood is a functional and stylish fume hood designed to fit a multitude of laboratory applications. The streamlined posts and radiused airfoil, along with a 36-inch high viewing area offers a softer look than conventional fume hoods. This hood is applicable in both CV and VAV designs. All hood services are offered on the outsides of the hood, providing a safer work environment for any project.



Standard Accessories



*** Many other options available. Please contact AMS for specific applications**