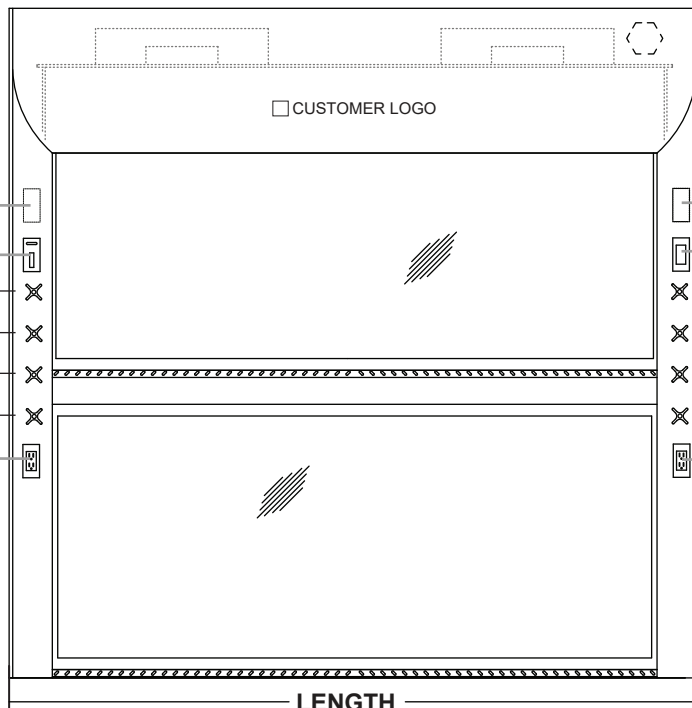


THE SOLUTION WALK-IN FUME HOOD

APPLICATIONS: HIGHER EDUCATION; INDUSTRIAL; BIO TECH / R&D



- ALARM 500
- ALARM 1000
- OTHER ALARM / VAV (CUTOUT ONLY)

BLOWER SWITCH (OPTIONAL)

SERVICE

SERVICE

SERVICE

SERVICE

120V GFI DUPLEX (OPTIONAL)

- ALARM 500
- ALARM 1000
- OTHER ALARM / VAV (CUTOUT ONLY)

LIGHT SWITCH (OPTIONAL)

SERVICE

SERVICE

SERVICE

SERVICE

120V GFI DUPLEX (OPTIONAL)

LINER MATERIAL:

- POLY RESIN (standard)
- 304 STAINLESS STEEL
- 316 STAINLESS STEEL
- PVC
- SPECIAL

LENGTH

- 48" 60" 72" 96" 120" Other

PRE-PIPING:

YES NO

PRE-PIPING UP

PRE-PIPING DOWN

SPECIAL REQUIREMENTS: _____

** FOR PROPER INSTALLATION & FUNCTIONALITY OF FUME HOOD, FLOORING MUST BE LEVELED BY OWNER PRIOR TO DELIVERY OF FUME HOODS.

BYPASS TYPE:

- OPEN BYPASS (standard)
- RESTRICTED BYPASS

WIRING DIAGRAM

WIRING DIAGRAM REQUIRED

SPECIAL DEPTH REQUIRED? Yes No

SPECIFY INTERIOR DEPTH _____

SPECIAL HEIGHT REQUIRED? Yes No
Standard Interior Height 85"

SPECIFY INTERIOR HEIGHT _____

STANDARD FEATURES

- **Interior Baffle Arrangement:**
Fixed Baffles
- **Exhaust Collar:**
Type 304 s/s - 10" Dia. Round
Other _____
- **Interior Lighting Fixture:**
Standard LED Fixtures
- **Sash Frame & Glass:**
Painted Steel Frame w/ Laminated Safety Glass
- **Sash Type:**
Vertical Rising

OPTIONAL ACCESSORIES

- Lattice Assembly:**
 - NONE
 - Aluminum Lattice Assembly
 - Stainless Steel Assembly
- Interior Lighting Fixture:**
 - Explosion Proof Light
- Fume Hood Alarm Option:**
 - Alarm Tel AFA_500
 - Alarm Tel AFA_1000
 - Alarm / VAV Cutout (Customer **MUST** provide cutout detail)
- Sash Frame & Glass:**
 - Stainless Steel Frame w/ Laminated Safety Glass
- Ceiling Enclosure:**
 - Yes (Height: _____) No
 - **Hinged Access Panel on Ceiling Enclosures?:**
 Yes No
- Sash Type:**
 - Combination (Horizontal Sliding + Vertical Rising)
 - Horizontal (Sliding Only)
 - Interlocking
- Additional Options:**
 - Blower Panel Mounted Cupsink
 - Sash Stops Button Stainless Steel Ramp
 - Sash Locks Epoxy Flooring
 - Sash Alarm
 - Sash Cap
- Pass Through Cord Ports**
 - 1.5" Dia. Front Post Cord Ports Left Right
 - _____ Dia. Side Panel Cord Ports (please specify size)
- Service Fixture Type:**
 - Ball valve w/ lever handles (ADA)
 - Standard Remote Valve w/ four-arm handle
 - Front Mount Valve w/ four-arm handle
 - Special Plumbing Requirements: _____
- Pre-Wire + Electrical:**
 - Yes No

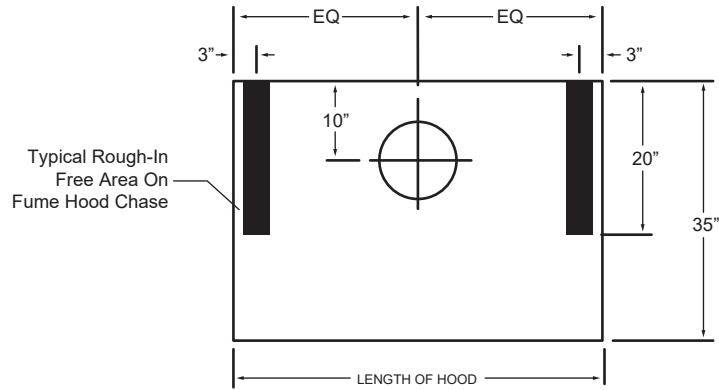


AIR MASTER SYSTEMS CORP
6480 NORTON CENTER DR.
MUSKEGON, MI 49441
TEL: (231) 798-1111 FAX: (231) 798-4000

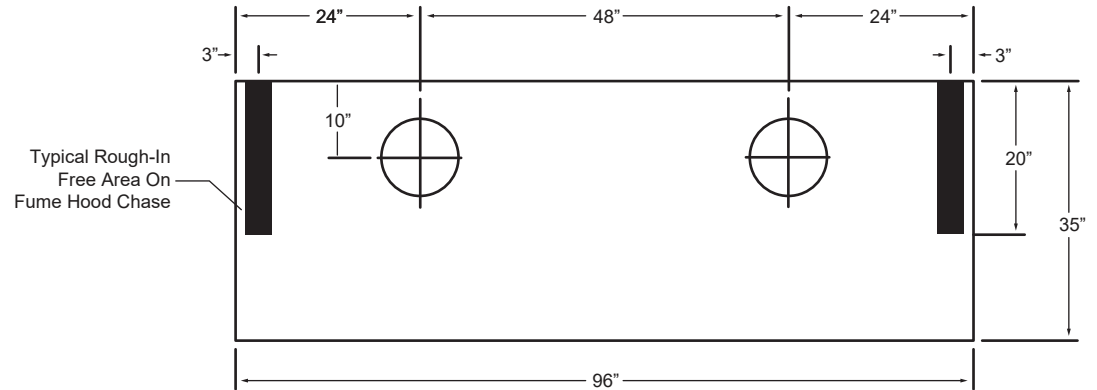
CUSTOMER: _____
QTY: _____
COLOR: _____

THE SOLUTION WALK-IN FUME HOOD

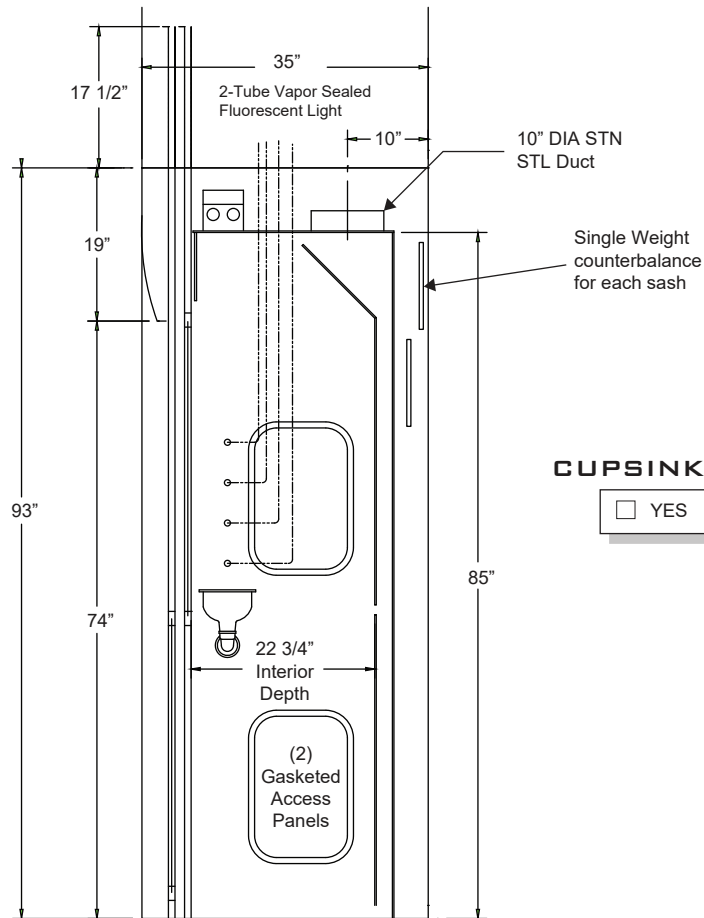
APPLICATIONS: HIGHER EDUCATION; INDUSTRIAL; BIO TECH / R&D



**SERVICE ROUGH-IN DETAIL
(FOR 48", 60", & 72" HOODS)**



**SERVICE ROUGH-IN DETAIL
(FOR 96" HOODS)**



CUPSINK OPTIONS:

YES NO

PART #	SUPERSTRUCTURE			HOOD OPENING		CFM @ 18"	CFM @ 36"	CFM @ 72"	SP	BLOWER MODEL #	SHIPPING WEIGHT
	W	H	D	W	H						
SOL-WI-48	48"	93"	35"	38"	72"	445	990	1979	.25	BL-400-48	560
SOL-WI-60	60"	93"	35"	50"	72"	653	1306	2613	.34	BL-400-60	675
SOL-WI-72	72"	93"	35"	62"	72"	812	1623	3246	.50	BL-400-72	790
SOL-WI-96	96"	93"	35"	86"	72"	1128	2256	4513	.34	BL-400-96	1025
SOL-WI-120	120"	93"	35"	108"	72"	1444	2889	5780	.58	BL-400-96	2500

*Height of open sash; CFM Calculated at 100 FPM