

SOLUTION 200 SERIES: DOUBLE FACED SOLUTION SERIES

APPLICATIONS: K-12; HIGHER EDUCATION; INDUSTRIAL; BIO TECH / R&D

SPECIFY FITTINGS/ FIXTURES REQUIRED:

Please specify if plumbing fixtures are required on both sides

FRONT / BACK

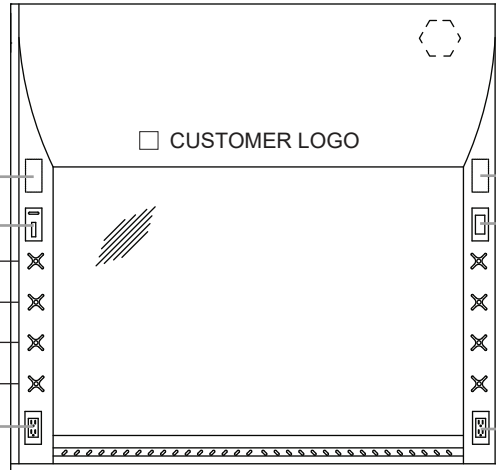
SPECIFY FITTINGS/ FIXTURES REQUIRED:

Please specify if plumbing fixtures are required on both sides

FRONT / BACK

PLUMBING CAN ONLY BE ON TWO OF THE FOUR POSTS

- Both front posts - None on rear
- Both rear posts - None on front
- OR**
- Front Post & Back Post - Same side of the hood



ALARM 500

ALARM 1000

OTHER ALARM / VAV (CUTOUT ONLY)

BLOWER SWITCH (OPTIONAL)

SERVICE

SERVICE

SERVICE

SERVICE

120V GFI DUPLEX (OPTIONAL)

CUSTOMER LOGO

ALARM 500

ALARM 1000

OTHER ALARM / VAV (CUTOUT ONLY)

LIGHT SWITCH (OPTIONAL)

SERVICE

SERVICE

SERVICE

SERVICE

120V GFI DUPLEX (OPTIONAL)

LINER MATERIAL:

POLY RESIN (standard)

304 STAINLESS STEEL

316 STAINLESS STEEL

PVC

SPECIAL

PRE-PIPING:

YES NO

PRE-PIPING UP

PRE-PIPING DOWN

BYPASS TYPE:

OPEN BYPASS (standard)

RESTRICTED BYPASS

BASE CABINET OPTIONS:

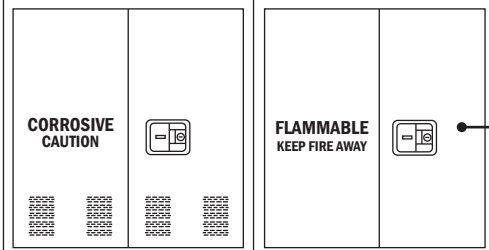
CORROSIVE CABINET	___"W x ___"H x ___"D
FLAMMABLE CABINET	___"W x ___"H x ___"D
VACUUM PUMP CABINET	___"W x ___"H x ___"D
HOOD BASE FRAME	___"W x ___"H x ___"D
SINK BASE CABINET	___"W x ___"H x ___"D

CABINET PULL OPTIONS:

- BRUSHED ALUMINUM BAR STYLE
- BRUSHED STEEL WIRE STYLE
- BRUSHED ALUMINUM RECESS STYLE
- BLACK RECESS STYLE
- STAINLESS STEEL WIRE STYLE

WORK SURFACE MATERIAL:

- BLACK EPOXY (standard)
Other Color: _____
- TYPE 304 STAINLESS STEEL
- TYPE 316 STAINLESS STEEL



LENGTH

36" 48" 60" 72" 96"

Custom sizes available ; Contact AMS

SPECIAL REQUIREMENTS: _____

WIRING DIAGRAM

WIRING DIAGRAM REQUIRED

CUSTOMER: _____

QTY: _____

COLOR: _____

STANDARD FEATURES

- **Sash Interlock**
- **Exhaust Collar:**
Type 304 s/s - 10" Dia. Round
- **Interior Lighting Fixture:**
Standard LED Fixtures
- **Sash Frame & Glass:**
Painted Steel Frame w/ Laminated Safety Glass
- **Airfoil:**
Painted Steel
- **Sash Type:**
Vertical
- **Pre-Piping / Pre-Wiring:**
All hoods are pre-wired & pre-piped unless otherwise noted.
- **Sash Drive:**
Cable/Pulley
- **Sight Line:**
36-inch high viewing sightline

OPTIONAL ACCESSORIES

Lattice Assembly:

- NONE
- Aluminum Lattice Assembly
- Stainless Steel Assembly

Interior Lighting Fixture:

- Explosion Proof Light

Fume Hood Alarm Option:

- Alarm Tel AFA_500
- Alarm Tel AFA_1000
- Alarm / AVA Cutout (Customer **MUST** provides cutout detail)

Sash Full-Length Finger Lift:

- Stainless Steel

Airfoil:

- Type 304 Stainless Steel
- Type 316 Stainless Steel

Trough:

- NONE (Standard)
- Painted Steel
- Type 304 Stainless Steel
- Type 316 Stainless Steel

Ceiling Enclosure:

- Yes (Height: _____) No
- **Hinged Access Panel on Ceiling Enclosures?:**
 Yes No

Finished Back:

- Yes No

Sash Type:

- Combination
- Horizontal
- Interlocking

Additional Options:

- Blower Sash Alarm
- Sash Locks Electronic Sash Closer
- Push Button Sash Stop Sash Cap
- Automatic Sash Return

Pass Through Cord Ports

- 1.5" Dia. Front Post Cord Ports
- _____ Dia. Side Panel Cord Ports (please specify size)

Service Fixture Type:

- Ball valve w/ lever handles (ADA)
- Standard Remote Valve w/ four-arm handle
- Front Mount Valve w/ four-arm handle
- Special Plumbing Requirements: _____

Pre-Wire + Electrical:

- Yes No

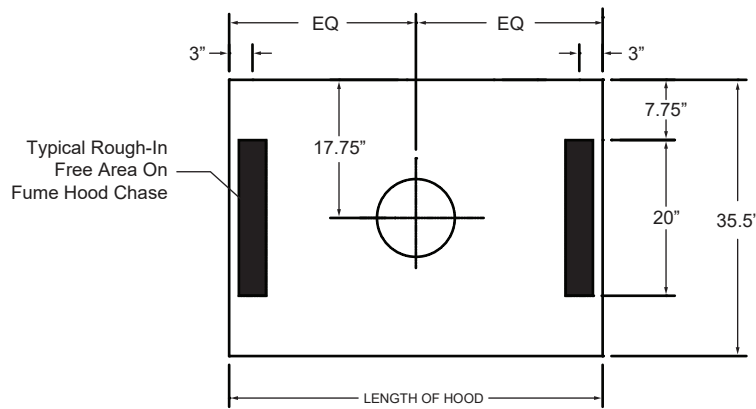


AIR MASTER SYSTEMS CORP
6480 NORTON CENTER DR.
MUSKEGON, MI 49441

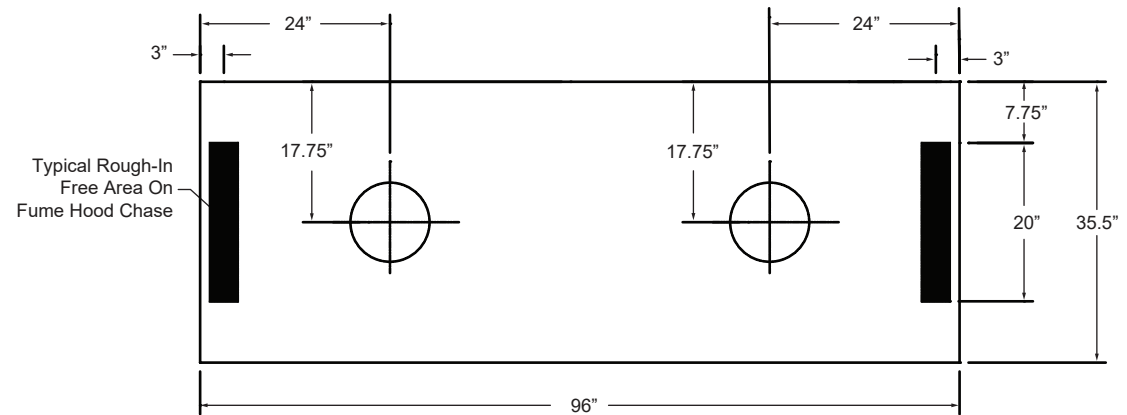
TEL: (231) 798-1111 FAX: (231) 798-4000

SOLUTION 200 SERIES: DOUBLE FACED SOLUTION SERIES

APPLICATIONS: K-12; HIGHER EDUCATION; INDUSTRIAL; BIO TECH / R&D



**SERVICE ROUGH-IN DETAIL
(FOR 48", 60", & 72" HOODS)**



**SERVICE ROUGH-IN DETAIL
(FOR 96" HOODS)**

Note: If Acid / Flammable cabinets are required - cupsink locations will vary, please contact AMS for details.

**EPOXY WORK SURFACE
(SPECIFY LOCATION OF CUPSINK)**

CUPSINK OPTIONS:

- 3" x 6"
- 3" x 9"
- OTHER _____
- NONE
-
- ADD 0.25" RAISED RIM

