

THE ELIMINATOR 100 SERIES: AIRFOIL FUME HOOD

APPLICATIONS: K-12; HIGHER EDUCATION; INDUSTRIAL; BIO TECH / R&D

STANDARD FEATURES

- **Interior Baffle Arrangement:**
Fixed Baffles (standard)
- **Exhaust Collar:**
Type 304 s/s - 10" Dia. Round (standard)
Other _____
- **Interior Lighting Fixture:**
Standard LED Fixtures (standard)
- **Sash Frame & Glass:**
Painted Steel Frame w/ Laminated Safety Glass (standard)
- **Airfoil:**
Painted Steel (standard)
- **Sash Type:**
Vertical (standard)

SPECIFY FITTINGS/ FIXTURES REQUIRED:

SERVICE _____
 SERVICE _____
 SERVICE _____
 SERVICE _____
 SERVICE _____

SPECIFY FITTINGS/ FIXTURES REQUIRED:

SERVICE _____
 SERVICE _____
 SERVICE _____
 SERVICE _____
 SERVICE _____

BLOWER SWITCH (OPTIONAL)
 120V GFI DUPLEX (STANDARD)

LIGHT SWITCH (STANDARD)
 120V GFI DUPLEX (STANDARD)

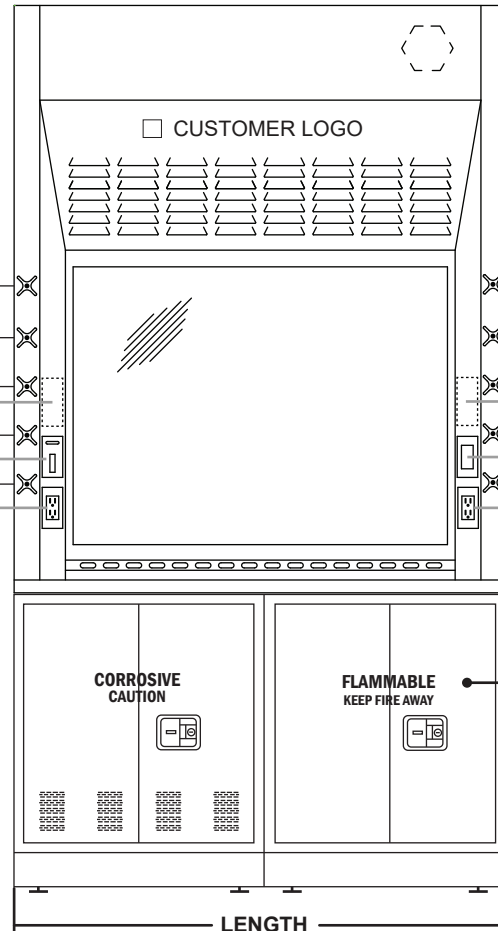
LINER MATERIAL:

PRE-PIPING:

BYPASS TYPE:

OPTIONAL FH DEPTH:

39.25" Deep w/ 36" D Epoxy dished top



36" 48" 60" 72" 96"

Custom sizes available ; Contact AMS

SPECIAL REQUIREMENTS: _____

BASE CABINET OPTIONS:

_____	___"W x ___"H x ___"D
_____	___"W x ___"H x ___"D
_____	___"W x ___"H x ___"D

CABINET PULL OPTIONS:

WIRING DIAGRAM:

OPTIONAL ACCESSORIES

Lattice Assembly:

Interior Lighting Fixture:
 Explosion Proof Light

Airfoil:

Trough:

Ceiling Enclosure:
 Yes (Height: _____) No
 ● Hinged Access Panel on Ceiling Enclosures?:
 Yes No

Finished Back:
 Yes No

Sash Type:

Additional Options:
 Blower Sash Locks
 Sash Stops Electronic Sash Closer
 Automatic Sash Return Sash Cap
 Sash Alarm

Pass Through Cord Ports
 1.5" Dia. Front Post Cord Ports
 _____ Dia. Side Panel Cord Ports (please specify size)

Service Fixture Type:

Pre-Wire + Electrical:
 Yes No



AIR MASTER SYSTEMS CORP
 6480 NORTON CENTER DR.
 MUSKEGON, MI 49441
 TEL: (231) 798-1111 FAX: (231) 798-4000

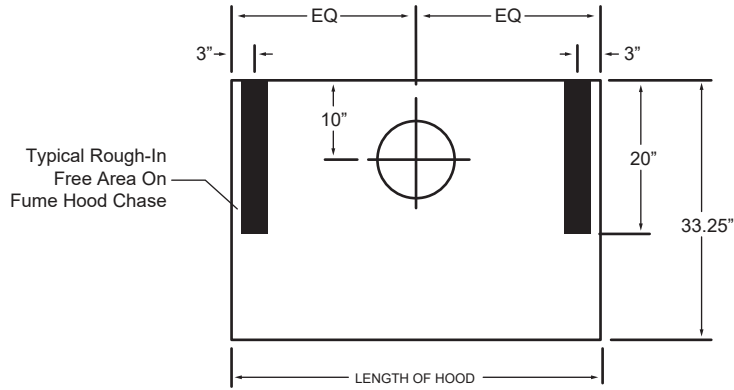
CUSTOMER: _____

QTY: _____

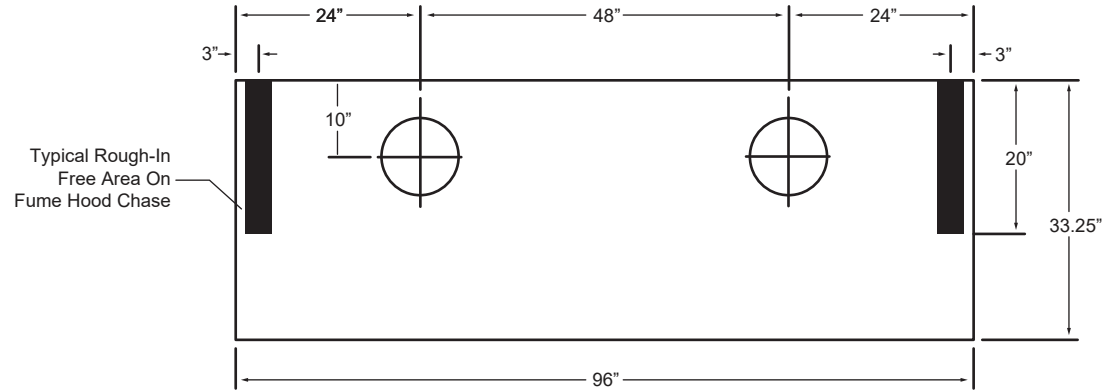
COLOR: _____

THE ELIMINATOR 100 SERIES: AIRFOIL FUME HOOD

APPLICATIONS: K-12; HIGHER EDUCATION; INDUSTRIAL; BIO TECH / R&D



**SERVICE ROUGH-IN DETAIL
(FOR 48", 60", & 72" HOODS)**



**SERVICE ROUGH-IN DETAIL
(FOR 96" HOODS)**

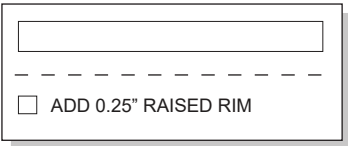
EPOXY WORK SURFACE (SPECIFY LOCATION OF CUPSINK)

*When utilizing 22" deep cabinets, cup sink measurement changes to 5.25" in lieu of 9"

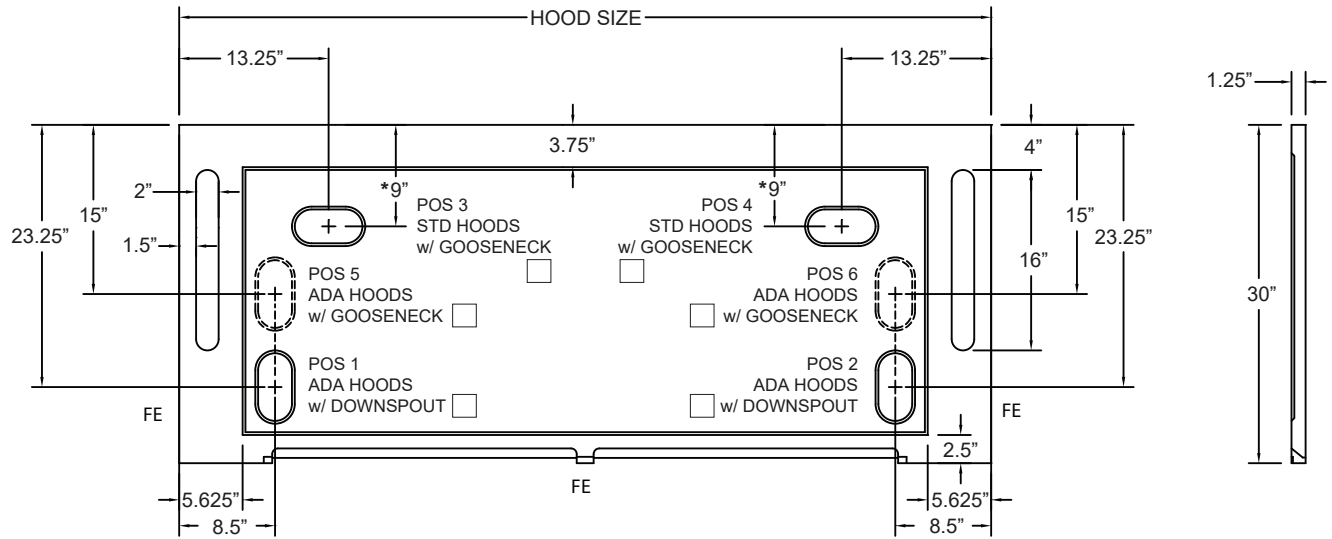
Note: At 5.25", it will have the cup sink sit slightly under the baffle.

Include Acid Cabinet Vent Hole

CUPSINK OPTIONS:



WORK SURFACE MATERIAL:



PART #	SUPERSTRUCTURE			WORKTOP			HOOD OPENING		CFM @29"	CFM @18"	SP	BLOWER MODEL #	SHIPPING WEIGHT
	W	H	D	W	H	D	W	H					
EH-111-36	36"	56"	33.25"	36"	1.25"	30"	26"	29"	567	354	.25	BL-100-36	320
EH-111-48	48"	56"	33.25"	48"	1.25"	30"	38"	29"	833	521	.25	BL-100-48	385
EH-111-60	60"	56"	33.25"	60"	1.25"	30"	50"	29"	1100	688	.34	BL-100-60	450
EH-111-72	72"	56"	33.25"	72"	1.25"	30"	62"	29"	1367	854	.34	BL-100-72	510
EH-111-96	96"	56"	33.25"	96"	1.25"	30"	86"	29"	1900	1188	.40	BL-100-96	630