

THE ELIMINATOR 200 SERIES: DOUBLE FACED 100 SERIES

APPLICATIONS: K-12; HIGHER EDUCATION; INDUSTRIAL; BIO TECH / R&D

SPECIFY FITTINGS/ FIXTURES REQUIRED:

Please specify if plumbing fixtures are required on both sides

FRONT / BACK

SERVICE

SERVICE

SERVICE

SERVICE

SERVICE

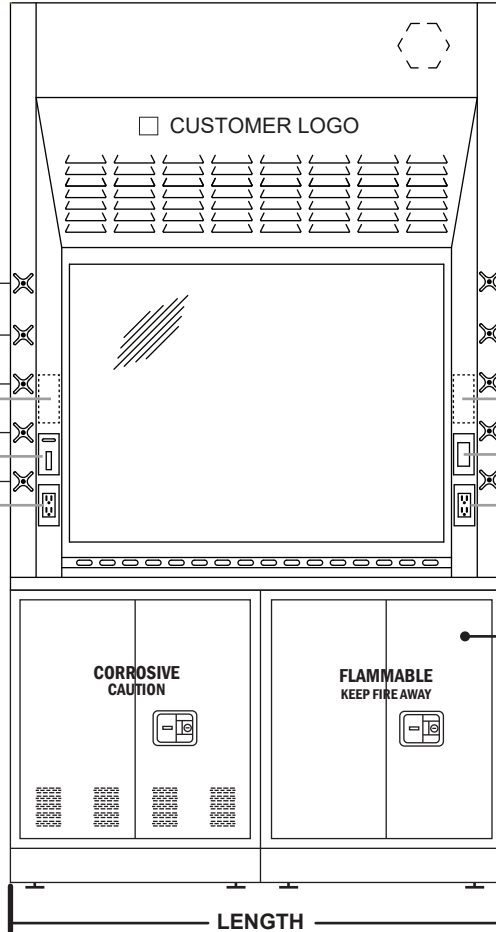
BLOWER SWITCH (OPTIONAL)

120V GFI DUPLEX (OPTIONAL)

LINER MATERIAL:

PRE-PIPING:

BYPASS TYPE:



36" 48" 60" 72" 96"

Custom sizes available ; Contact AMS

SPECIAL REQUIREMENTS: _____

SPECIFY FITTINGS/ FIXTURES REQUIRED:

Please specify if plumbing fixtures are required on both sides

FRONT / BACK

SERVICE

SERVICE

SERVICE

SERVICE

SERVICE

LIGHT SWITCH (OPTIONAL)

120V GFI DUPLEX (OPTIONAL)

BASE CABINET OPTIONS:

<input type="checkbox"/>	___"W x ___"H x ___"D
<input type="checkbox"/>	___"W x ___"H x ___"D
<input type="checkbox"/>	___"W x ___"H x ___"D

CABINET PULL OPTIONS:

WIRING DIAGRAM:

PLUMBING CAN ONLY BE ON TWO OF THE FOUR POSTS

- Both front posts - None on rear
- Both rear posts - None on front
- OR**
- Front Post & Back Post - Same side of the hood

STANDARD FEATURES

- **Interior Baffle Arrangement:**
Fixed Baffles (standard)
- **Exhaust Collar:**
Type 304 s/s - 10" Dia. Round (standard)
Other _____
- **Interior Lighting Fixture:**
Standard LED Fixtures (standard)
- **Sash Frame & Glass:**
Painted Steel Frame w/ Laminated Safety Glass (standard)
- **Airfoil:**
Painted Steel (standard)
- **Sash Type:**
Vertical (standard)

OPTIONAL ACCESSORIES

Interior Lighting Fixture:

- Explosion Proof Light

Sash Frame & Glass:

- Stainless Steel Frame w/ Laminated Safety Glass

Airfoil:

Trough:

Ceiling Enclosure:

- Yes (Height: _____) No

- **Hinged Access Panel on Ceiling Enclosures?:**

- Yes No

Finished Back:

- Yes No

Sash Type:

Additional Options:

- Blower Blower Switch (3-Way)
- Sash Stops Sash Locks
- Automatic Sash Return Light Switch (3-Way)
- Sash Alarm Sash Cap

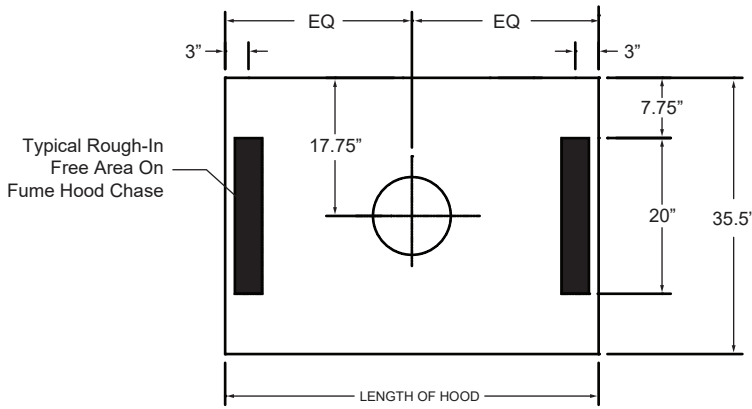
Service Fixture Type:

Pre-Wire + Electrical:

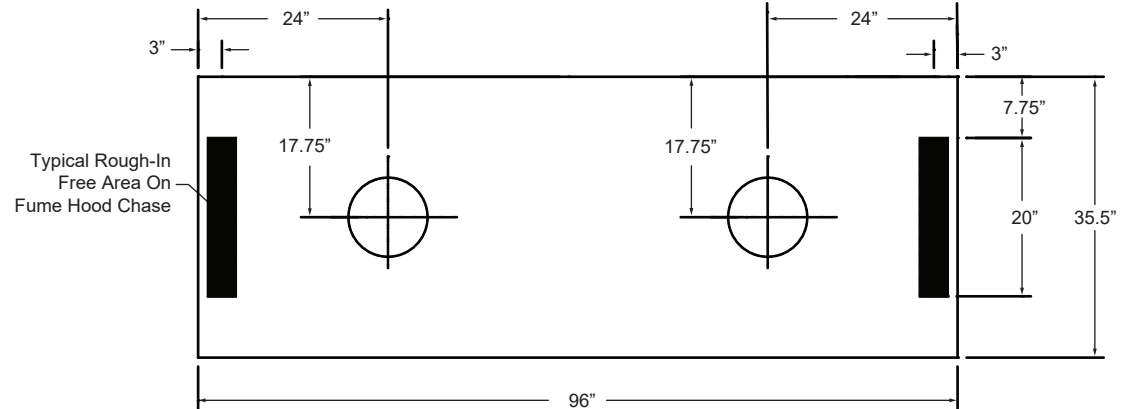
- Yes No

THE ELIMINATOR 200 SERIES: DOUBLE FACED 100 SERIES

APPLICATIONS: K-12; HIGHER EDUCATION; INDUSTRIAL; BIO TECH / R&D



**SERVICE ROUGH-IN DETAIL
(FOR 48", 60", & 72" HOODS)**



**SERVICE ROUGH-IN DETAIL
(FOR 96" HOODS)**

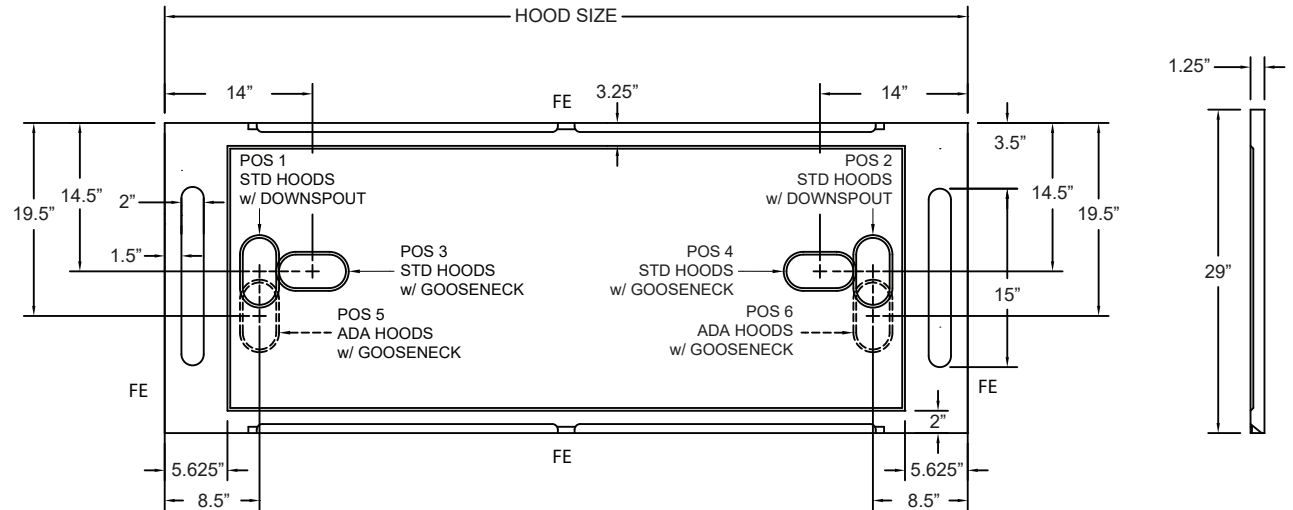
Note: If Acid / Flammable cabinets are required - cupsink locations will vary, please contact AMS for details.

**EPOXY WORK SURFACE
(SPECIFY LOCATION OF CUPSINK)**

CUPSINK OPTIONS:

 ADD 0.25" RAISED RIM

WORK SURFACE MATERIAL:



PART #	SUPERSTRUCTURE			WORKTOP			HOOD OPENING		CFM @29"	CFM @18"	SP	BLOWER MODEL #	SHIPPING WEIGHT
	W	H	D	W	H	D	W	H					
EH-211-36	36"	56"	35.5"	36"	1.25"	29"	26"	29"	567	354	.25	BL-100-36	400
EH-211-48	48"	56"	35.5"	48"	1.25"	29"	38"	29"	833	521	.33	BL-100-48	450
EH-211-60	60"	56"	35.5"	60"	1.25"	29"	50"	29"	1100	688	.34	BL-100-60	500
EH-211-72	72"	56"	35.5"	72"	1.25"	29"	62"	29"	1367	854	.34	BL-100-72	550
EH-211-96	96"	56"	35.5"	96"	1.25"	29"	86"	29"	1900	1188	.40	BL-100-96	650