

THE ELIMINATOR 400 SERIES: WALK-IN HOOD

APPLICATIONS: UNIVERSITY; RESEARCH; PRIVATE INDUSTRY

STANDARD FEATURES

- **Interior Baffle Arrangement:**
Fixed Baffles (standard)
- **Exhaust Collar:**
Type 304 s/s - 10" Dia. Round (standard)
Other _____
- **Interior Lighting Fixture:**
Standard LED Fixtures (standard)
- **Sash Frame & Glass:**
Painted Steel Frame w/ Laminated Safety Glass (standard)
- **Sash Type:**
Vertical (standard)

OPTIONAL ACCESSORIES

- Lattice Assembly:**

- Interior Lighting Fixture:**
 Explosion Proof Light
- Sash Frame & Glass:**
 Stainless Steel Frame w/ Laminated Safety Glass
- Ceiling Enclosure:**
 Yes (Height: _____) No
● **Hinged Access Panel on Ceiling Enclosures?:**
 Yes No
- Sash Type:**

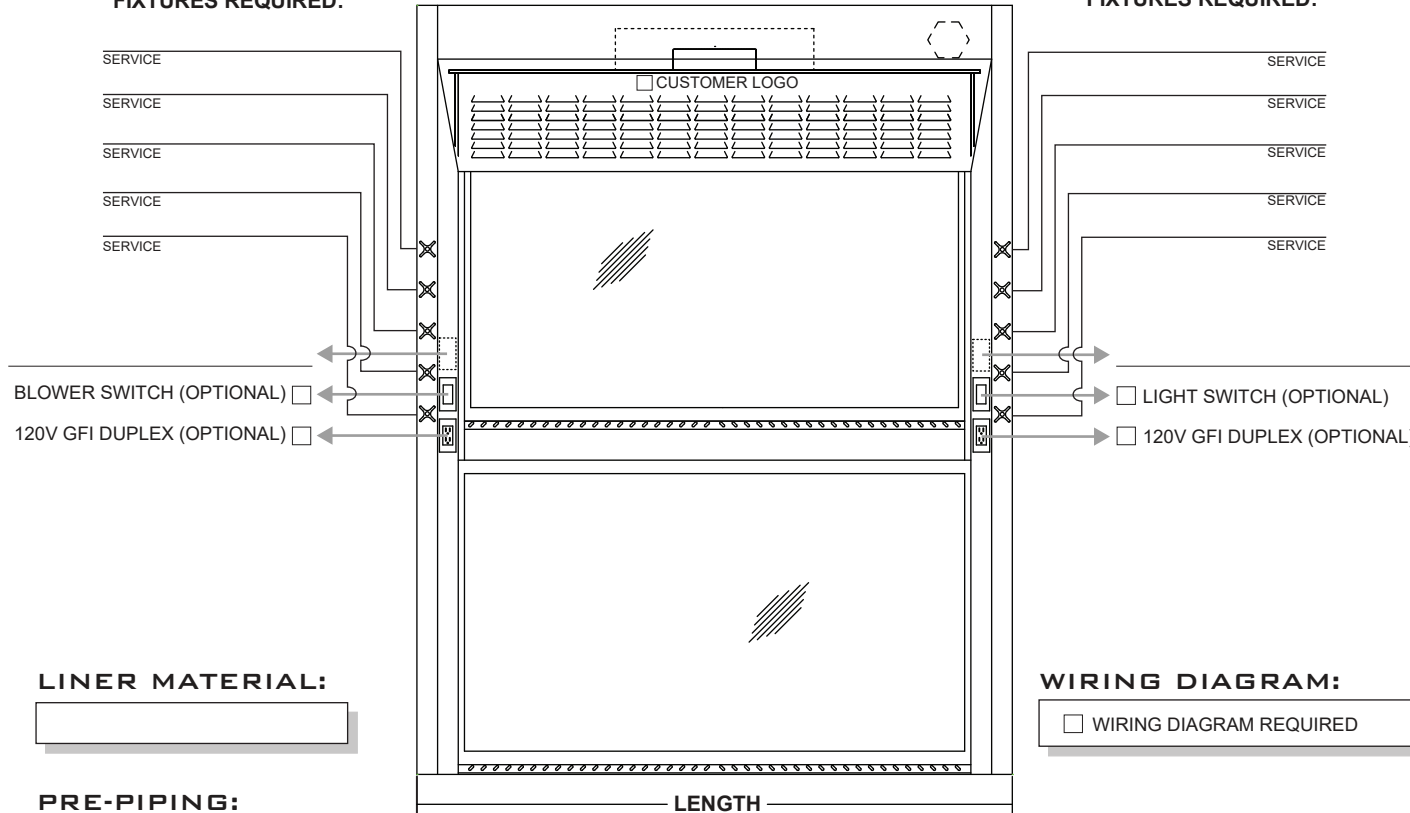
- Additional Options:**
- | | |
|-------------------------------------|--|
| <input type="checkbox"/> Blower | <input type="checkbox"/> Panel Mounted Cupsink |
| <input type="checkbox"/> Sash Stops | <input type="checkbox"/> Stainless Steel Ramp |
| <input type="checkbox"/> Sash Locks | <input type="checkbox"/> Epoxy Flooring |
| <input type="checkbox"/> Sash Alarm | |
| <input type="checkbox"/> Sash Cap | |
- Pass Through Cord Ports**
 1.5" Dia. Front Post Cord Ports
 _____ Dia. Side Panel Cord Ports (please specify size)
- Service Fixture Type:**

SPECIFY FITTINGS/ FIXTURES REQUIRED:

SERVICE _____
SERVICE _____
SERVICE _____
SERVICE _____
SERVICE _____

SPECIFY FITTINGS/ FIXTURES REQUIRED:

SERVICE _____
SERVICE _____
SERVICE _____
SERVICE _____
SERVICE _____



LINER MATERIAL:

PRE-PIPING:

BYPASS TYPE:

48" 60" 72" 96" 120"

SPECIAL REQUIREMENTS: _____

WIRING DIAGRAM:

WIRING DIAGRAM REQUIRED

SPECIAL DEPTH REQUIRED? Yes No

SPECIFY INTERIOR DEPTH _____

SPECIAL HEIGHT REQUIRED? Yes No
Standard Height 85"

SPECIFY INTERIOR HEIGHT _____

** FOR PROPER INSTALLATION & FUNCTIONALITY OF FUME HOOD,
FLOORING MUST BE LEVELED BY OWNER PRIOR TO DELIVERY OF
FUME HOODS.

AIR MASTER SYSTEMS CORP
6480 NORTON CENTER DR.
MUSKEGON, MI 49441
TEL: (231) 798-1111 FAX: (231) 798-4000

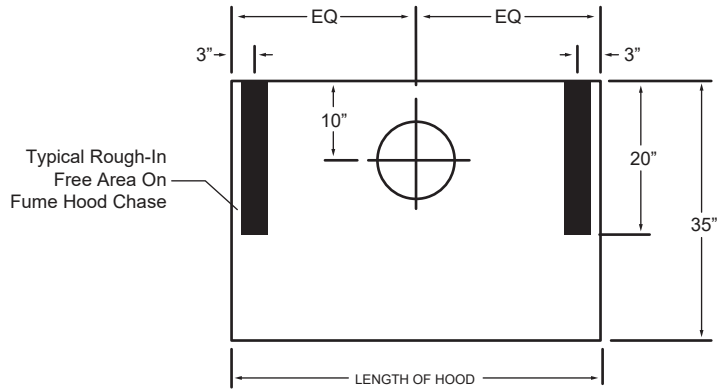
CUSTOMER: _____

QTY: _____

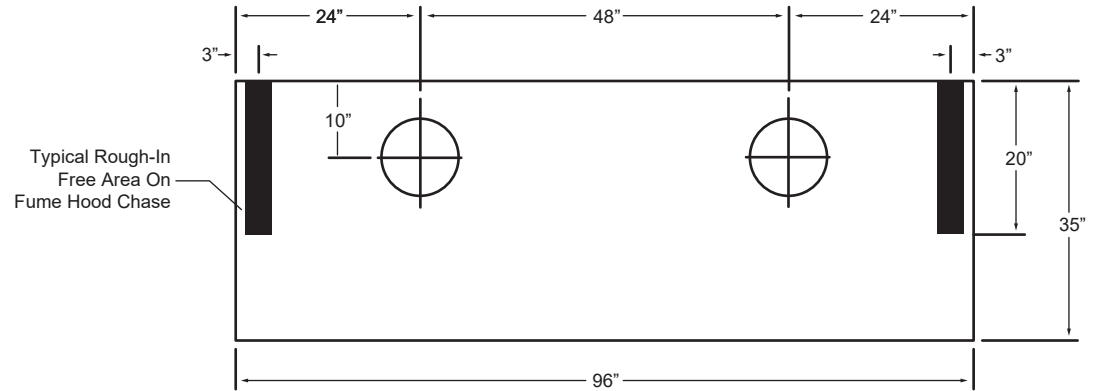
COLOR: _____

THE ELIMINATOR 400 SERIES: WALK-IN HOOD

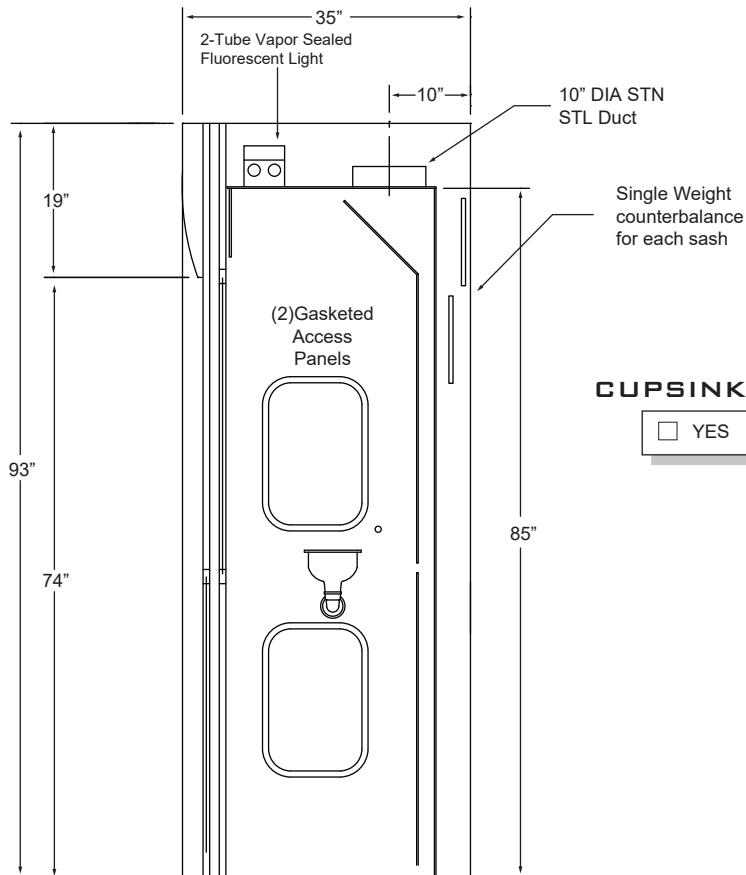
APPLICATIONS: UNIVERSITY; RESEARCH; PRIVATE INDUSTRY



**SERVICE ROUGH-IN DETAIL
(FOR 48", 60", & 72" HOODS)**



**SERVICE ROUGH-IN DETAIL
(FOR 96" HOODS)**



CUPSINK OPTIONS:

YES NO

PART #	SUPERSTRUCTURE			HOOD OPENING		CFM @ 18"	CFM @ 36"	CFM @ 72"	SP	BLOWER MODEL #	SHIPPING WEIGHT
	W	H	D	W	H						
EH-411-48	48"	93"	35"	38"	72"	445	990	1979	.25	BL-400-48	560
EH-411-60	60"	93"	35"	50"	72"	653	1306	2613	.34	BL-400-60	675
EH-411-72	72"	93"	35"	62"	72"	812	1623	3246	.50	BL-400-72	790
EH-411-96	96"	93"	35"	86"	72"	1128	2256	4513	.34	BL-400-96	1025
EH-411-120	120"	93"	35"	108"	72"	1444	2889	5780	.58	BL-400-96	2500

*Height of open sash; CFM Calculated at 100 FPM