

THE ELIMINATOR 500 SERIES: ADA DESIGN

APPLICATIONS: K-12; UNIVERSITY; PRIVATE INDUSTRY

**SPECIFY FITTINGS/
FIXTURES REQUIRED:**

SERVICE _____
 SERVICE _____
 SERVICE _____
 SERVICE _____
 SERVICE _____

BLOWER SWITCH (OPTIONAL)
 120V GFI DUPLEX (OPTIONAL)

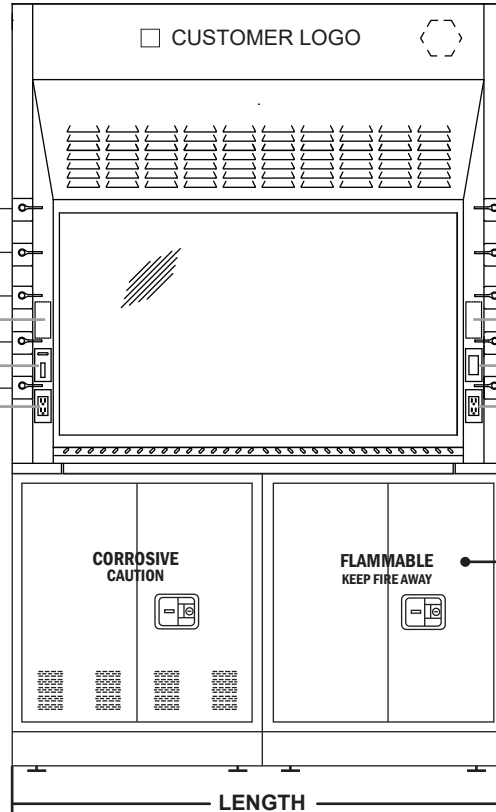
LINER MATERIAL:

PRE-PIPING:

BYPASS TYPE:

OPTIONAL FH DEPTH:

39.25" Deep w/ 36" D
 Epoxy dished top



36" 48" 60" 72" 96"

Custom sizes available ; Contact AMS

SPECIAL REQUIREMENTS: _____

**SPECIFY FITTINGS/
FIXTURES REQUIRED:**

SERVICE _____
 SERVICE _____
 SERVICE _____
 SERVICE _____
 SERVICE _____

LIGHT SWITCH (OPTIONAL)
 120V GFI DUPLEX (OPTIONAL)

BASE CABINET OPTIONS:

<input type="checkbox"/>	___"W x ___"H x ___"D
<input type="checkbox"/>	___"W x ___"H x ___"D
<input type="checkbox"/>	___"W x ___"H x ___"D

CABINET PULL OPTIONS:

WIRING DIAGRAM:

WIRING DIAGRAM REQUIRED

STANDARD FEATURES

- **Interior Baffle Arrangement:**
Fixed Baffles (standard)
- **Exhaust Collar:**
Type 304 s/s - 10" Dia. Round (standard)
 Other _____
- **Interior Lighting Fixture:**
Standard LED Fixtures (standard)
- **Sash Frame & Glass:**
Painted Steel Frame w/ Laminated Safety Glass (standard)
- **Airfoil:**
Painted Steel (standard) w/ Trough
- **Sash Type:**
Vertical (standard)
- **Also Included:**
Sash Stop
1/4" Turn Ball Valve Fixtures w/ Lever Handles

OPTIONAL ACCESSORIES

Lattice Assembly:

Interior Lighting Fixture:
 Explosion Proof Light

Sash Frame & Glass:
 Stainless Steel Frame w/ Laminated Safety Glass

Airfoil:

Trough:

Ceiling Enclosure:
 Yes (Height: _____) No
 ● **Hinged Access Panel on Ceiling Enclosures?:**
 Yes No

Finished Back:
 Yes No

Sash Type:

Additional Options:

<input type="checkbox"/> Blower	<input type="checkbox"/> Sash Locks
<input type="checkbox"/> Sash Stops	<input type="checkbox"/> Electronic Sash Closer
<input type="checkbox"/> Restricted By Pass	
<input type="checkbox"/> Automatic Sash Return	
<input type="checkbox"/> Sash Cap	

Pass Through Cord Ports
 1.5" Dia. Front Post Cord Ports
 ___ Dia. Side Panel Cord Ports (please specify size)

Service Fixture Type:

Pre-Wire + Electrical:
 Yes No



AIR MASTER SYSTEMS CORP
 6480 NORTON CENTER DR.
 MUSKEGON, MI 49441
 TEL: (231) 798-1111 FAX: (231) 798-4000

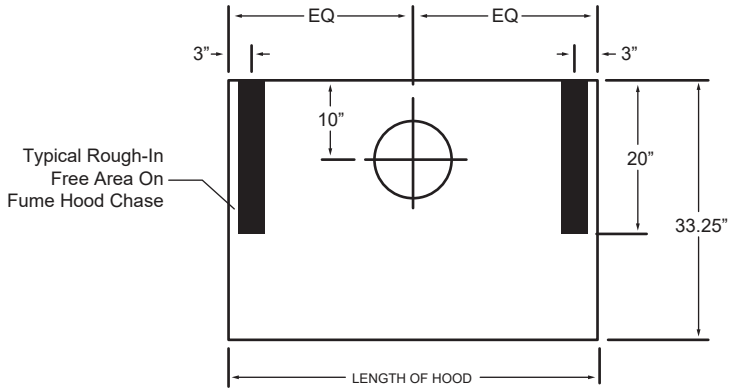
CUSTOMER: _____

QTY: _____

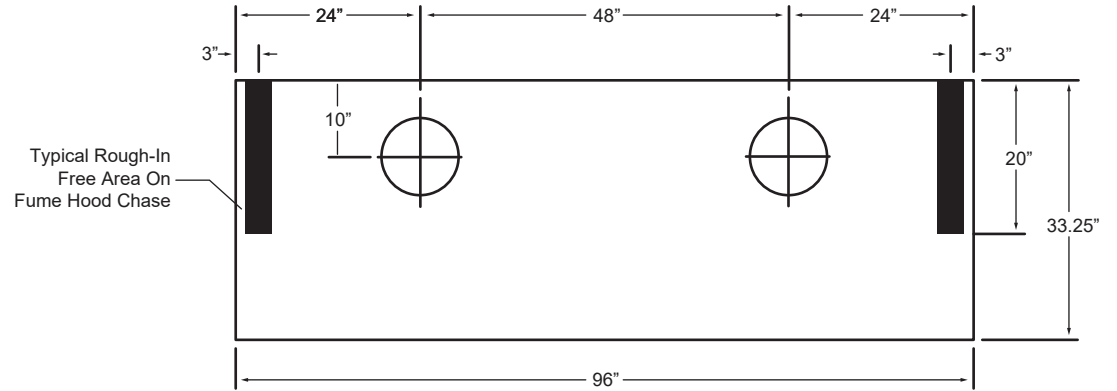
COLOR: _____

THE ELIMINATOR 500 SERIES: ADA DESIGN

APPLICATIONS: K-12; UNIVERSITY; PRIVATE INDUSTRY



SERVICE ROUGH-IN DETAIL
(FOR 36", 48", 60", & 72" HOODS)

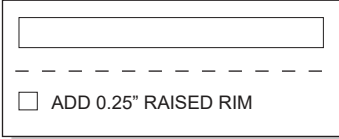


SERVICE ROUGH-IN DETAIL
(FOR 96" HOODS)

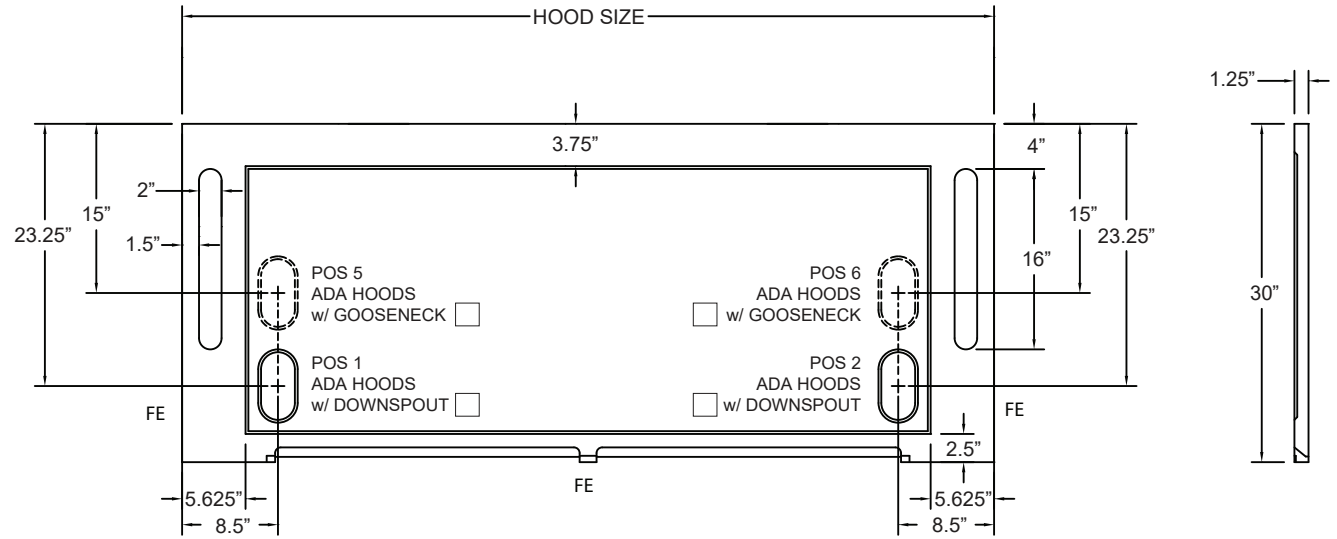
EPOXY WORK SURFACE
(SPECIFY LOCATION OF CUPSINK)

Include Acid Cabinet Vent Hole

CUPSINK OPTIONS:



WORK SURFACE MATERIAL:



PART #	SUPERSTRUCTURE			WORKTOP			HOOD OPENING		CFM @29"	CFM @18"	SP	BLOWER MODEL #	SHIPPING WEIGHT
	W	H	D	W	H	D	W	H					
EH-511-48	48"	56"	33.25"	48"	1.25"	30"	38"	29"	833	521	.25	BL-500-48	395
EH-511-60	60"	56"	33.25"	60"	1.25"	30"	50"	29"	1100	688	.34	BL-500-60	450
EH-511-72	72"	56"	33.25"	72"	1.25"	30"	62"	29"	1367	854	.34	BL-500-72	525
EH-511-96	96"	56"	33.25"	96"	1.25"	30"	86"	29"	1900	1188	.40	BL-500-96	630