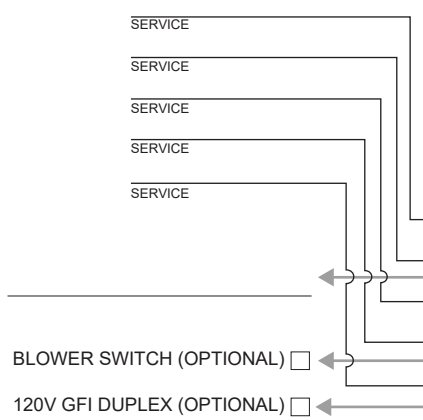


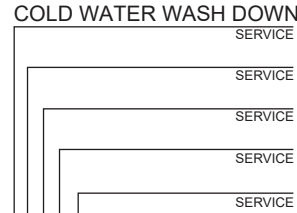
# THE ELIMINATOR 700 SERIES: PERCHLORIC ACID HOOD

APPLICATIONS: K-12; UNIVERSITY; PRIVATE INDUSTRY

## SPECIFY FITTINGS/ FIXTURES REQUIRED:



## SPECIFY FITTINGS/ FIXTURES REQUIRED:



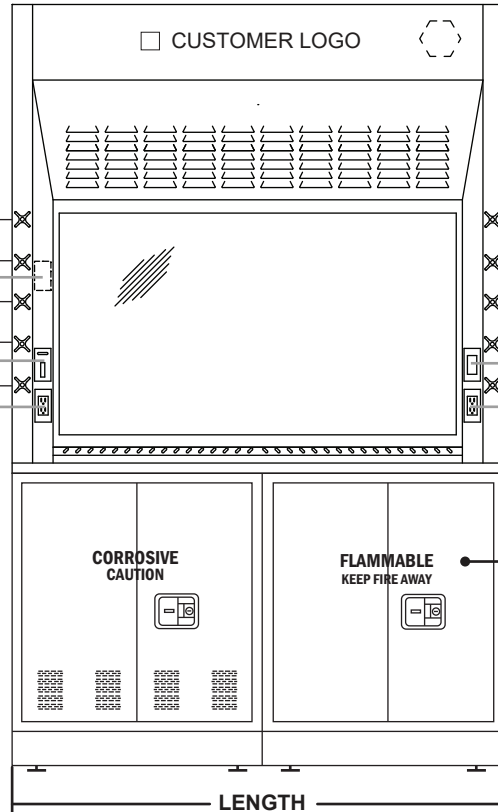
**COLD WATER WASH DOWN  
REQUIRED FOR  
PERCHLORIC  
ACID HOOD**  
If needed in  
other location,  
specify:

## STANDARD FEATURES

- **Interior Baffle Arrangement:**  
*Fixed Baffles (standard)*
- **Exhaust Collar:**  
*Type 316 s/s - 10" Dia. Round (standard)*  
*Other \_\_\_\_\_*
- **Interior Lighting Fixture:**  
*Standard LED Fixtures (standard)*
- **Sash Frame & Glass:**  
*316 Stainless Steel Frame w/ Laminated Safety Glass (standard)*
- **Airfoil:**  
*316 Stainless Steel (standard)*
- **Sash Type:**  
*Vertical (standard)*
- **Additional Features:**  
*Type 316 Stainless Steel Built-In Trough*  
*Type 316 Stn. Stl. One-piece integral work surface & liner*

## PRE-PIPING:

## BYPASS TYPE:



36"  48"  60"  72"  96"

Custom sizes available ; Contact AMS

SPECIAL REQUIREMENTS: \_\_\_\_\_

\_\_\_\_\_  
\_\_\_\_\_  
\_\_\_\_\_

## BASE CABINET OPTIONS:

<input type="checkbox"/>	___"W x ___"H x ___"D
<input type="checkbox"/>	___"W x ___"H x ___"D
<input type="checkbox"/>	___"W x ___"H x ___"D

## CABINET PULL OPTIONS:

## WIRING DIAGRAM:

 WIRING DIAGRAM REQUIRED

## OPTIONAL ACCESSORIES

**Lattice Assembly:**

**Interior Lighting Fixture:**  
 Explosion Proof Light

**Airfoil:**

**Trough:**

**Ceiling Enclosure:**  
 Yes (Height: \_\_\_\_\_)  No  
● **Hinged Access Panel on Ceiling Enclosures?:**  
 Yes  No

**Finished Back:**  
 Yes  No

**Sash Type:**

**Additional Options:**  
 Blower  Sash Alarm  
 Automatic Sash Return  Sash Locks  
 Sash Cap  Sash Stops

**Pass Through Cord Ports**  
 1.5" Dia. Front Post Cord Ports  
 \_\_\_ Dia. Side Panel Cord Ports (please specify size)

**Service Fixture Type:**

**Pre-Wire + Electrical:**  
 Yes  No



**AIR MASTER SYSTEMS CORP**  
6480 NORTON CENTER DR.  
MUSKEGON, MI 49441  
TEL: (231) 798-1111 FAX: (231) 798-4000

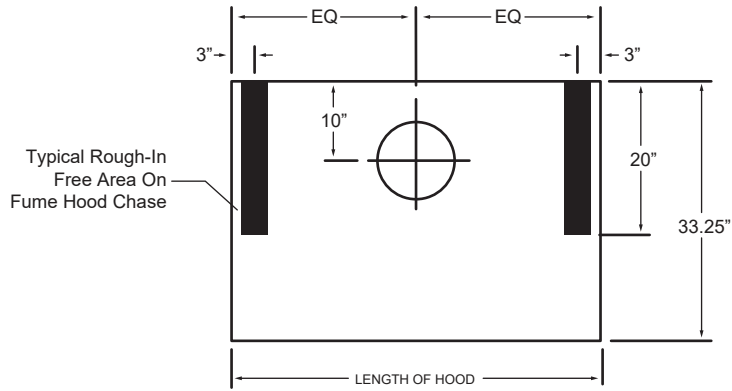
**CUSTOMER:** \_\_\_\_\_

**QTY:** \_\_\_\_\_

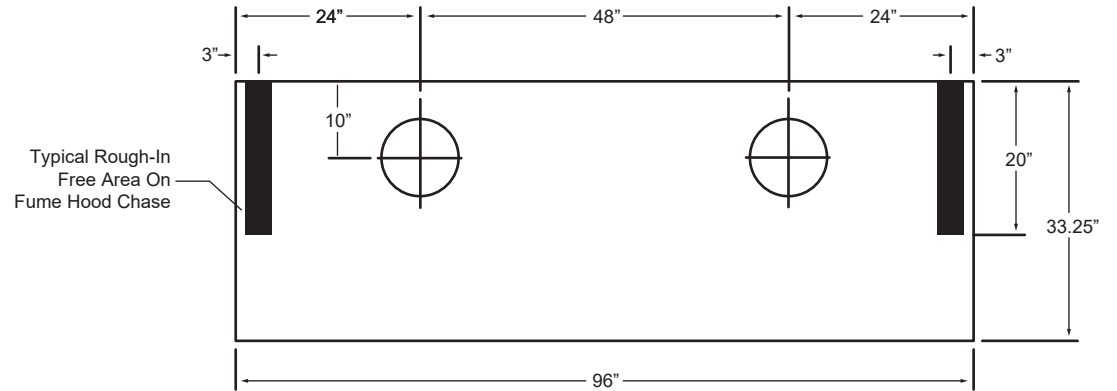
**COLOR:** \_\_\_\_\_

# THE ELIMINATOR 700 SERIES: PERCHLORIC ACID HOOD

APPLICATIONS: K-12; UNIVERSITY; PRIVATE INDUSTRY



**SERVICE ROUGH-IN DETAIL  
(FOR 36", 48", 60", & 72" HOODS)**



**SERVICE ROUGH-IN DETAIL  
(FOR 96" HOODS)**

PART #	SUPERSTRUCTURE			WORKTOP			HOOD OPENING		CFM @29"	CFM @18"	SP	BLOWER MODEL #	SHIPPING WEIGHT
	W	H	D	W	H	D	W	H					
EH-716-36	36"	56"	33.25"	36"	1.25"	30"	26"	29"	567	354	.26	BL-700-36	190
EH-716-48	48"	56"	33.25"	48"	1.25"	30"	38"	29"	833	521	.33	BL-700-48	560
EH-716-60	60"	56"	33.25"	60"	1.25"	30"	50"	29"	1100	688	.34	BL-700-60	675
EH-716-72	72"	56"	33.25"	72"	1.25"	30"	62"	29"	1367	854	.34	BL-700-72	790
EH-716-96	96"	56"	33.25"	96"	1.25"	30"	86"	29"	1900	1188	.40	BL-700-96	1025