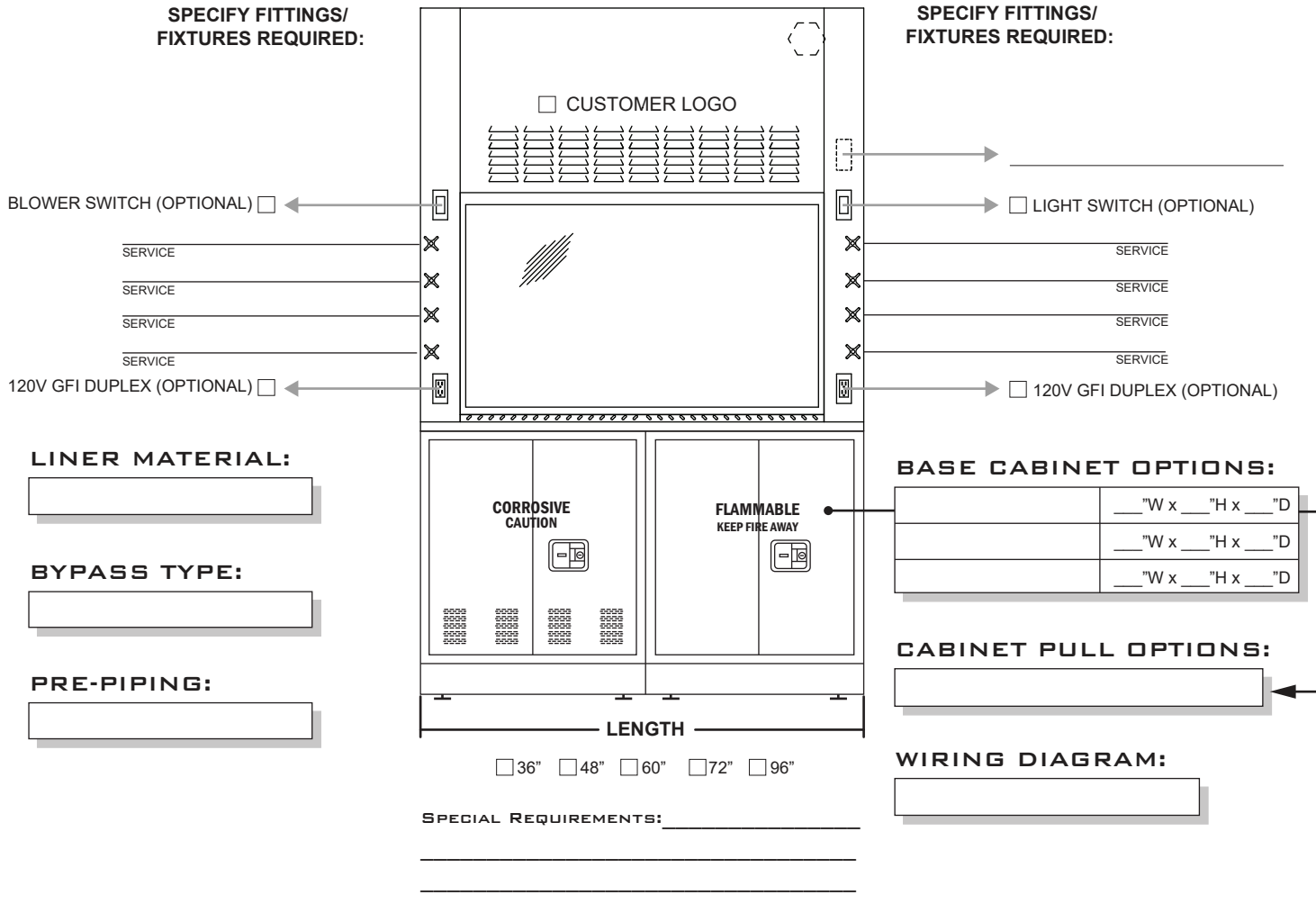


# THE ELIMINATOR 800 SERIES: FLAT FRONT HOOD

APPLICATIONS: K-12



## STANDARD FEATURES

- **Interior Baffle Arrangement:**  
Fixed Baffles (standard)
- **Exhaust Collar:**  
Type 304 s/s - 10" Dia. Round (standard)  
Other \_\_\_\_\_
- **Interior Lighting Fixture:**  
Standard LED Fixtures (standard)
- **Sash Frame & Glass:**  
Painted Steel Frame w/ Laminated Safety Glass (standard)
- **Sash Type:**  
Vertical (standard)

## OPTIONAL ACCESSORIES

- Lattice Assembly:** \_\_\_\_\_
- Interior Lighting Fixture:**  
 Explosion Proof Light
- Sash Frame & Glass:**  
 Stainless Steel Frame w/ Laminated Safety Glass
- Ceiling Enclosure:**  
 Yes (Height: \_\_\_\_\_)  No
- **Hinged Access Panel on Ceiling Enclosures?:**  
 Yes  No
- Sash Type:** \_\_\_\_\_
- Additional Options:**
- Blower  Sash Locks  
 Sash Stops  Sash Cap  
 Automatic Sash Return  Sash Alarm
- Pass Through Cord Ports**
- 1.5" Dia. Front Post Cord Ports  
 \_\_\_\_\_ Dia. Side Panel Cord Ports (please specify size)
- Service Fixture Type:** \_\_\_\_\_
- Pre-Wire + Electrical:**  
 Yes  No

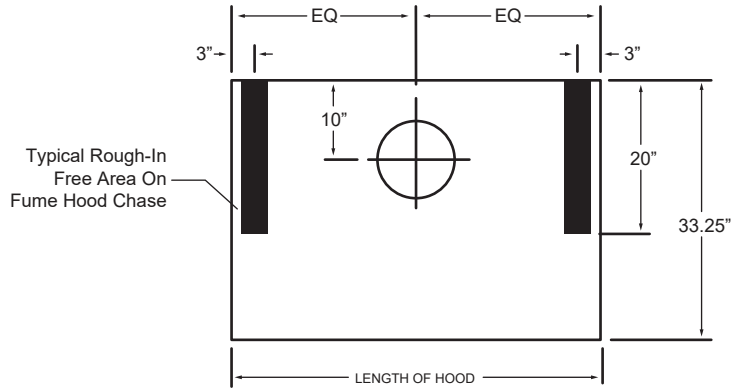


**AIR MASTER SYSTEMS CORP**  
 6480 NORTON CENTER DR.  
 MUSKEGON, MI 49441  
 TEL: (231) 798-1111 FAX: (231) 798-4000

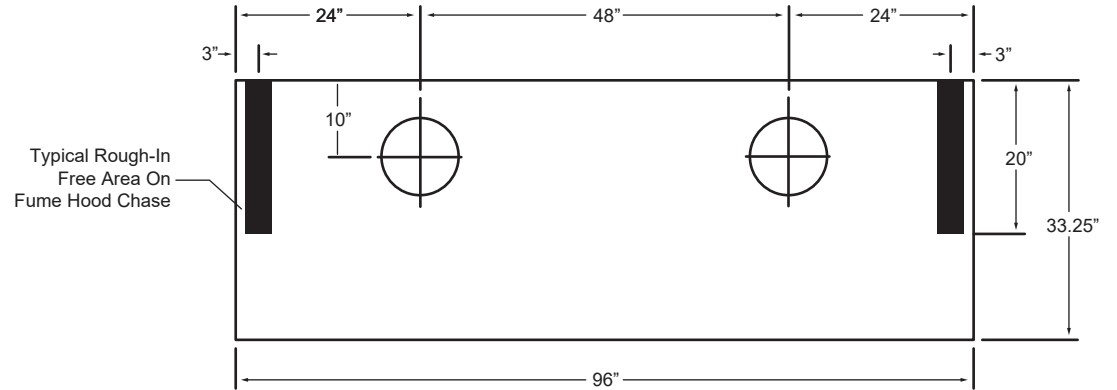
**CUSTOMER:** \_\_\_\_\_  
**QTY:** \_\_\_\_\_  
**COLOR:** \_\_\_\_\_

# THE ELIMINATOR 800 SERIES: FLAT FRONT HOOD

APPLICATIONS: K-12



**SERVICE ROUGH-IN DETAIL  
(FOR 36", 48", 60", & 72" HOODS)**



**SERVICE ROUGH-IN DETAIL  
(FOR 96" HOODS)**

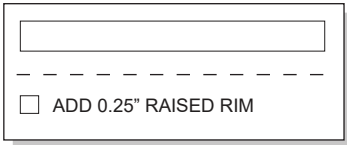
## EPOXY WORK SURFACE (SPECIFY LOCATION OF CUPSINK)

\*When utilizing 22" deep cabinets, cup sink measurement changes to 5.25" in lieu of 9"

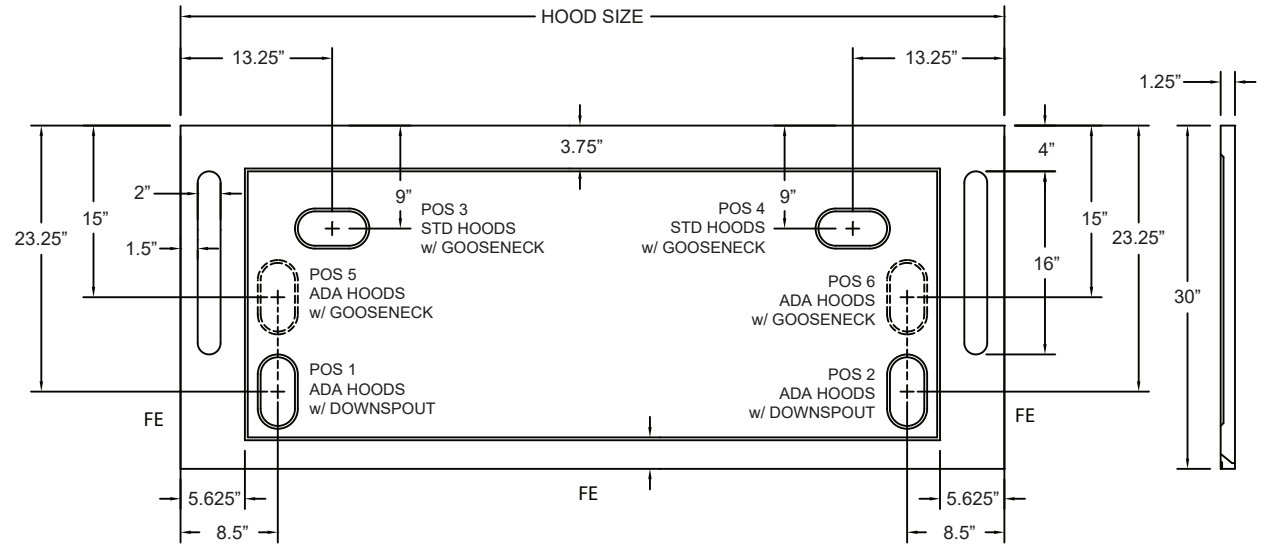
Note: At 5.25", it will have the cup sink sit slightly under the baffle.

Include Acid Cabinet Vent Hole

### CUPSINK OPTIONS:



### WORK SURFACE MATERIAL:



| PART #    | SUPERSTRUCTURE |     |       | WORKTOP |       |     | HOOD OPENING |     | CFM @29" | CFM @18" | SP  | BLOWER MODEL # | SHIPPING WEIGHT |
|-----------|----------------|-----|-------|---------|-------|-----|--------------|-----|----------|----------|-----|----------------|-----------------|
|           | W              | H   | D     | W       | H     | D   | W            | H   |          |          |     |                |                 |
| EH-811-36 | 36"            | 56" | 29.5" | 36"     | 1.25" | 30" | 26"          | 29" | 567      | 354      | .25 | BL-100-36      | 300             |
| EH-811-48 | 48"            | 56" | 29.5" | 48"     | 1.25" | 30" | 38"          | 29" | 833      | 521      | .33 | BL-100-48      | 360             |
| EH-811-60 | 60"            | 56" | 29.5" | 60"     | 1.25" | 30" | 50"          | 29" | 1100     | 688      | .34 | BL-100-60      | 440             |
| EH-811-72 | 72"            | 56" | 29.5" | 72"     | 1.25" | 30" | 62"          | 29" | 1367     | 854      | .34 | BL-100-72      | 520             |
| EH-811-96 | 96"            | 56" | 29.5" | 96"     | 1.25" | 30" | 86"          | 29" | 1900     | 1188     | .40 | BL-100-96      | 680             |