

THE ELIMINATOR 900 SERIES: DEMONSTRATION HOOD

APPLICATIONS: K-12

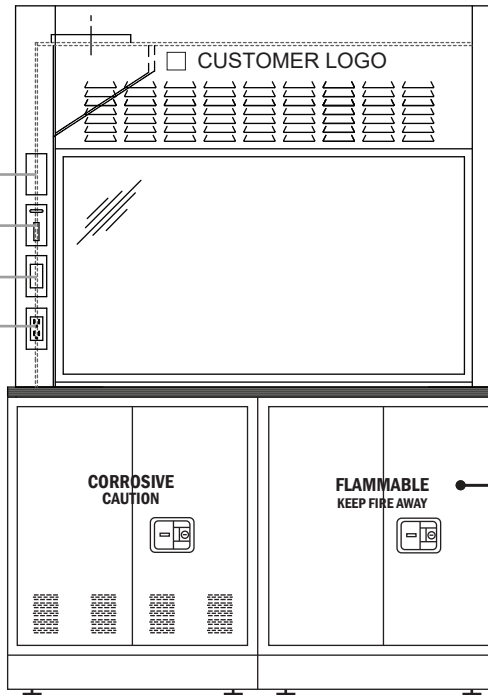
**SPECIFY FITTINGS/
FIXTURES REQUIRED:**

- BLOWER SWITCH (OPTIONAL)
- LIGHT SWITCH (OPTIONAL)
- 120V GFI DUPLEX (OPTIONAL)

**PLEASE SPECIFY
LEFT OR RIGHT:**

- LEFT RIGHT
(Lefthand Shown)

LINER MATERIAL:



Custom sizes available ; Contact AMS

****NOTE: SERVICE FIXTURES MUST
BE DECK MOUNTED**

SPECIAL REQUIREMENTS: _____

****DECK MOUNT PLUMBING
FIXTURES AVAILABLE****

BASE CABINET OPTIONS:

<input type="checkbox"/>	___"W x ___"H x ___"D
<input type="checkbox"/>	___"W x ___"H x ___"D
<input type="checkbox"/>	___"W x ___"H x ___"D

CABINET PULL OPTIONS:

WIRING DIAGRAM

STANDARD FEATURES

- **Interior Baffle Arrangement:**
Fixed Baffles (standard)
- **Exhaust Collar:**
Type 304 s/s - 10" Dia. Round (standard)
Other _____
- **Interior Lighting Fixture:**
Standard LED Fixtures (standard)
- **Sash Frame & Glass:**
Painted Steel Frame w/ Laminated Safety Glass (standard)
- **Sash Type:**
Vertical (standard)
Sash Interlock (standard)

OPTIONAL ACCESSORIES

Lattice Assembly:

Interior Lighting Fixture:

- Explosion Proof Light

Sash Frame & Glass:

- Stainless Steel Frame w/ Laminated Safety Glass

Ceiling Enclosure:

- Yes (Height: _____) No

• **Hinged Access Panel on Ceiling Enclosures?:**

- Yes No

Finished Back:

- Yes No

Sash Type:

Additional Options:

- Blower Sash Alarm
 Sash Stops Sash Cap
 Sash Locks

Service Fixture (Deck Mount Type):

Pre-Wire + Electrical:

- Yes No



AIR MASTER SYSTEMS CORP
6480 NORTON CENTER DR.
MUSKEGON, MI 49441

TEL: (231) 798-1111 FAX: (231) 798-4000

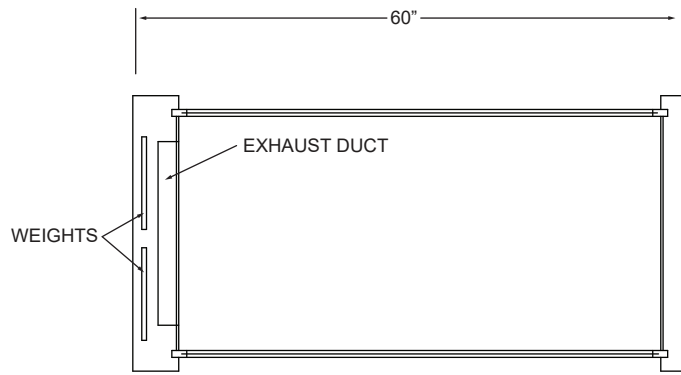
CUSTOMER: _____

QTY: _____

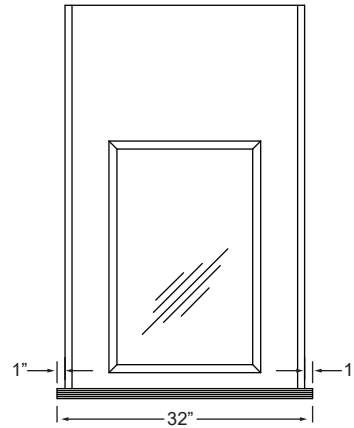
COLOR: _____

THE ELIMINATOR 900 SERIES: DEMONSTRATION HOOD

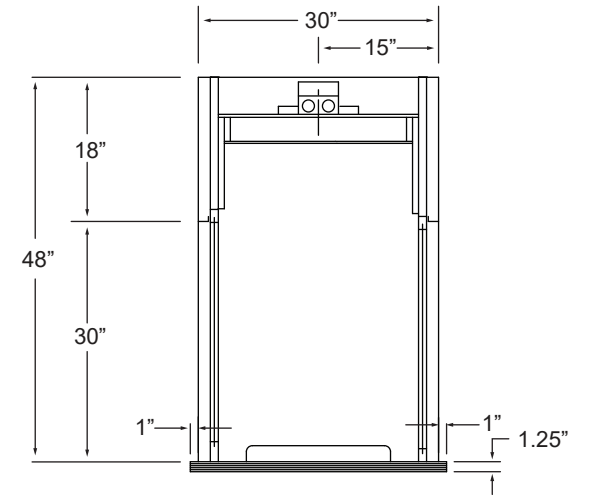
APPLICATIONS: K-12



HORIZONTAL SECTION



END VIEW

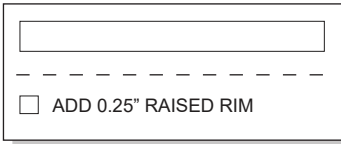


VERTICAL SECTION

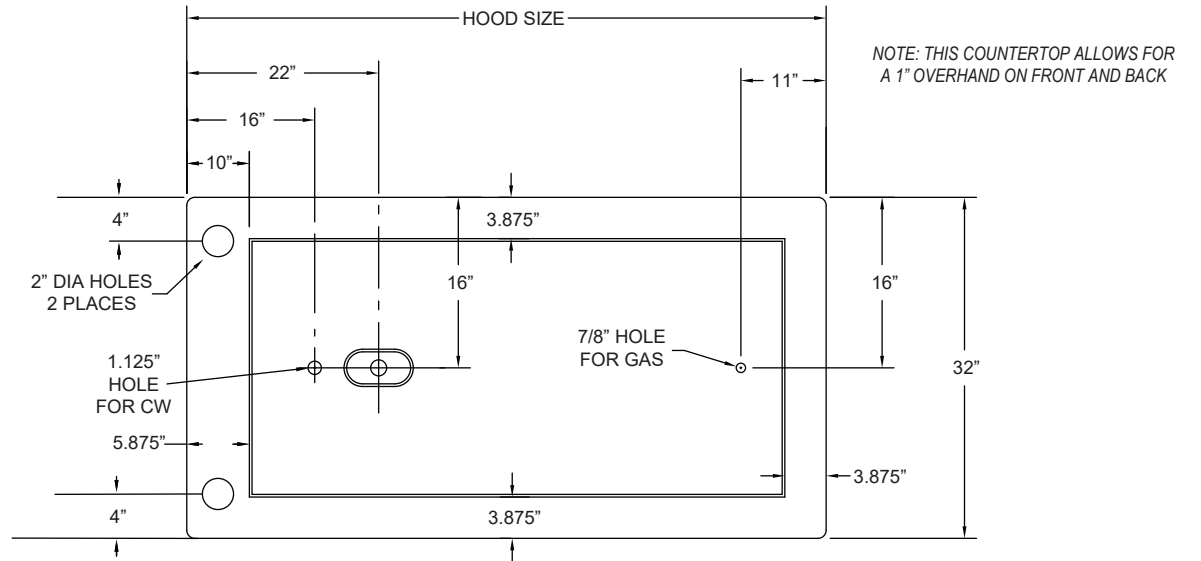
EPOXY WORK SURFACE
(SPECIFY LOCATION OF CUPSINK)

- LEFT SIDE RIGHT SIDE

CUPSINK OPTIONS:



WORK SURFACE MATERIAL:



PART #	SUPERSTRUCTURE			WORKTOP			HOOD OPENING		CFM @29"	CFM @18"	SP	BLOWER MODEL #	SHIPPING WEIGHT
	W	H	D	W	H	D	W	H					
EH-911-60	60"	48"	30"	60"	1.25"	32"	53"	26.5"	1030	722	.75	BL-900-60	500