

# THE ELIMINATOR HP SERIES: LOW FLOW/ENERGY EFFICIENT

APPLICATIONS: HIGHER EDUCATION; INDUSTRIAL; BIO TECH / R&D

## STANDARD FEATURES

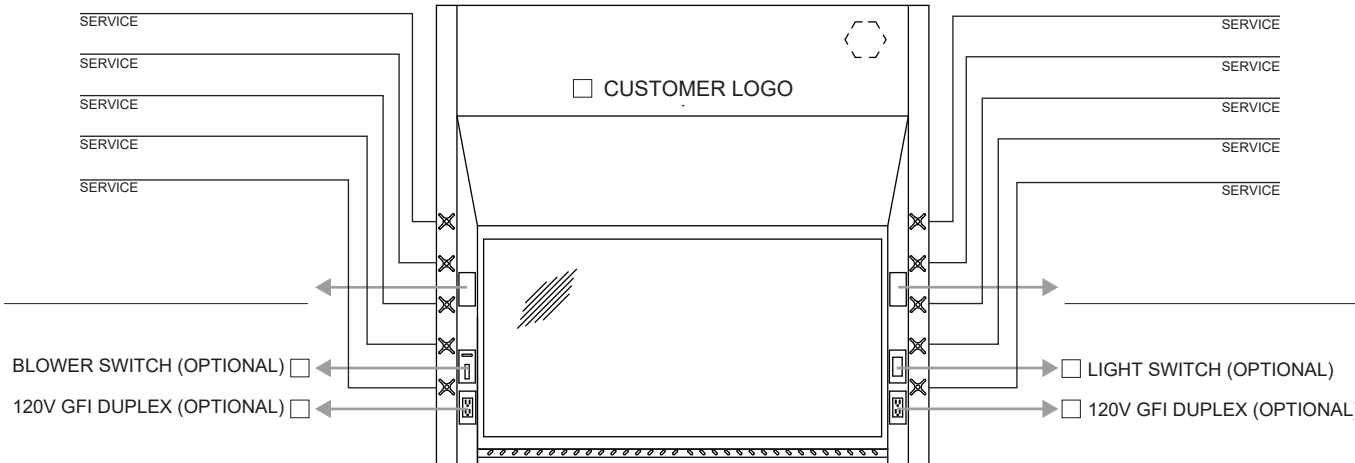
- **Interior Baffle Arrangement:**  
Fixed Baffles (standard)
- **Exhaust Collar:**  
Type 304 s/s - 10" Dia. Round (standard)  
Other \_\_\_\_\_
- **Interior Lighting Fixture:**  
Standard LED Fixtures (standard)
- **Sash Frame & Glass:**  
Painted Steel Frame w/ Laminated Safety Glass (standard)
- **Airfoil:**  
Painted Steel (standard)
- **Sash Type:**  
Vertical (standard)
- **Pre-Piping / Pre-Wiring:**  
All hoods are pre-wired & pre-piped unless otherwise noted.

### SPECIFY FITTINGS/ FIXTURES REQUIRED:

SERVICE  
SERVICE  
SERVICE  
SERVICE  
SERVICE

### SPECIFY FITTINGS/ FIXTURES REQUIRED:

SERVICE  
SERVICE  
SERVICE  
SERVICE  
SERVICE



### LINER MATERIAL:

### PRE-PIPING:

### BYPASS TYPE:

### BASE CABINET OPTIONS:

<input type="checkbox"/>	___"W x ___"H x ___"D
<input type="checkbox"/>	___"W x ___"H x ___"D
<input type="checkbox"/>	___"W x ___"H x ___"D

### CABINET PULL OPTIONS:

### WIRING DIAGRAM:

48"  60"  72"  96"

Custom sizes available ; Contact AMS

SPECIAL REQUIREMENTS: \_\_\_\_\_

\_\_\_\_\_  
\_\_\_\_\_  
\_\_\_\_\_

## OPTIONAL ACCESSORIES

**Lattice Assembly:**

**Interior Lighting Fixture:**  
 Explosion Proof Light

**Sash Frame & Glass:**  
 Stainless Steel Frame w/ Laminated Safety Glass

**Airfoil:**

**Trough:**

**Ceiling Enclosure:**  
 Yes (Height: \_\_\_\_\_)  No

● **Hinged Access Panel on Ceiling Enclosures?:**  
 Yes  No

**Finished Back:**  
 Yes  No

**Sash Type:**

- Additional Options:**
- Blower
  - Sash Alarm
  - Sash Stops
  - Sash Locks
  - Automatic Sash Return
  - Electronic Sash Closer
  - Sash Alarm

**Pass Through Cord Ports**

- 1.5" Dia. Front Post Cord Ports
- \_\_\_" Dia. Side Panel Cord Ports (please specify size)

**Service Fixture Type:**

**Pre-Wire + Electrical:**  
 Yes  No



AIR MASTER SYSTEMS CORP  
6480 NORTON CENTER DR.  
MUSKEGON, MI 49441  
TEL: (231) 798-1111 FAX: (231) 798-4000

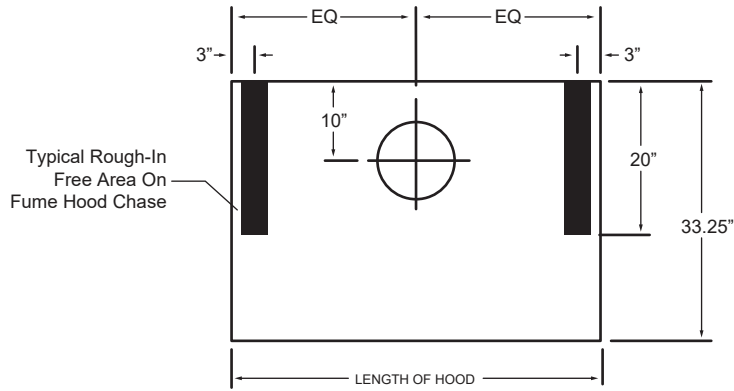
CUSTOMER: \_\_\_\_\_

QTY: \_\_\_\_\_

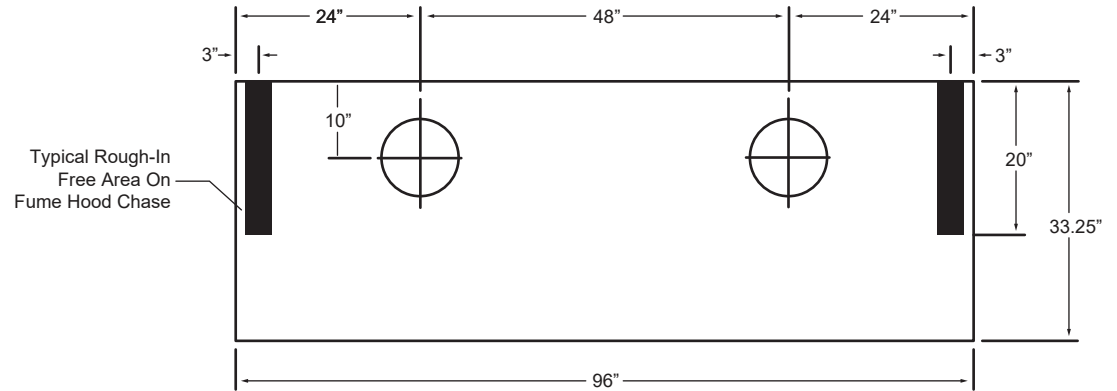
COLOR: \_\_\_\_\_

# THE ELIMINATOR HP SERIES: LOW FLOW/ENERGY EFFICIENT

APPLICATIONS: HIGHER EDUCATION; INDUSTRIAL; BIO TECH / R&D



**SERVICE ROUGH-IN DETAIL  
(FOR 48", 60", & 72" HOODS)**



**SERVICE ROUGH-IN DETAIL  
(FOR 96" HOODS)**

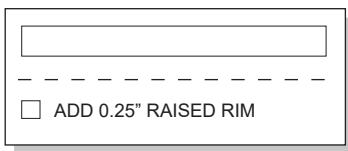
## EPOXY WORK SURFACE (SPECIFY LOCATION OF CUPSINK)

\*When utilizing 22" deep cabinets, cup sink measurement changes to 5.25" in lieu of 9"

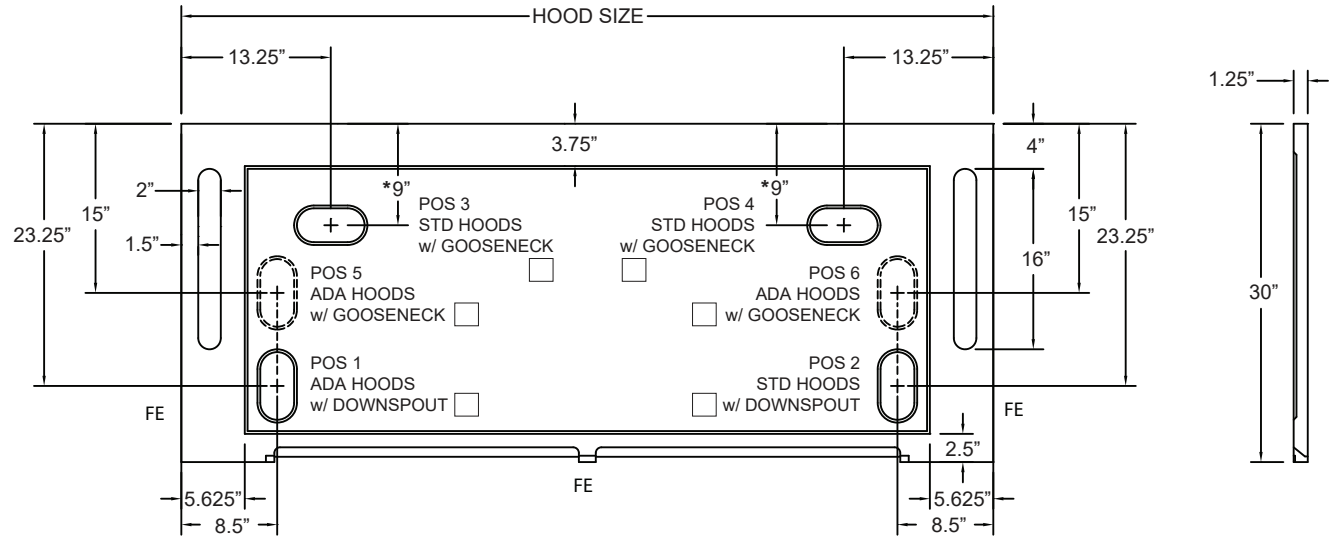
Note: This location will have the cup sink sit slightly under the baffle.

Include Acid Cabinet Vent Hole

### CUPSINK OPTIONS:



### WORK SURFACE MATERIAL:



PART #	SUPERSTRUCTURE			WORKTOP			HOOD OPENING		CFM @28"	CFM @18"	SP	BLOWER MODEL #	SHIPPING WEIGHT
	W	H	D	W	H	D	W	H					
EH-HP-48	48"	56"	33.25"	48"	1.25"	30"	38"	28"	469	313	.25	BL-HP-48	415
EH-HP-60	60"	56"	33.25"	60"	1.25"	30"	50"	28"	619	413	.34	BL-HP-60	490
EH-HP-72	72"	56"	33.25"	72"	1.25"	30"	62"	28"	769	513	.34	BL-HP-72	535
EH-HP-96	96"	56"	33.25"	96"	1.25"	30"	86"	28"	1069	713	.34	BL-HP-96	570

\*Height of open sash; CFM Calculated at 60 FPM