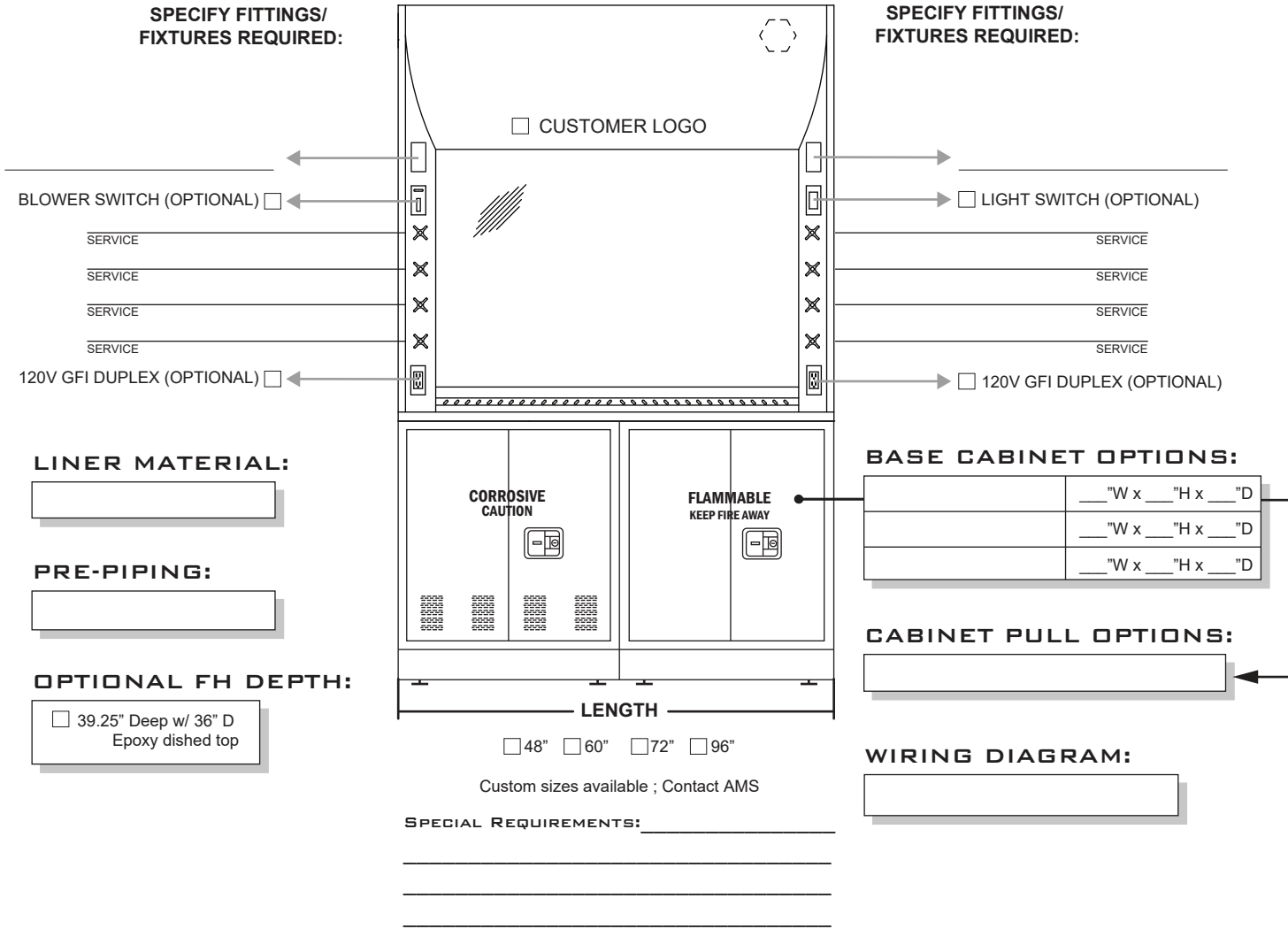


THE SOLUTION FUME HOOD

APPLICATIONS: K-12; HIGHER EDUCATION; INDUSTRIAL; BIO TECH / R&D



STANDARD FEATURES

- **Interior Baffle Arrangement:**
Fixed Baffles (standard)
- **Exhaust Collar:**
Type 304 s/s - 10" Dia. Round (standard)
Other _____
- **Interior Lighting Fixture:**
Standard LED Fixtures (standard)
- **Sash Frame & Glass:**
Painted Steel Frame w/ Laminated Safety Glass (standard)
- **Airfoil:**
Painted Steel (standard)
- **Sash Type:**
Vertical (standard)
- **Pre-Piping / Pre-Wiring:**
All hoods are pre-wired & pre-piped unless otherwise noted.
- **Sash Drive:**
Chain & Sprocket Sash Drive (standard)
- **Sight Line:**
36-inch high viewing sightline (standard)

OPTIONAL ACCESSORIES

- Lattice Assembly:**
-
- Interior Lighting Fixture:**
- Explosion Proof Light
- Airfoil:**
-
- Trough:**
-
- Ceiling Enclosure:**
- Yes (Height: _____) No
- **Hinged Access Panel on Ceiling Enclosures?:**
- Yes No
- Finished Back:**
- Yes No
- Sash Type:**
-
- Additional Options:**
- Blower Sash Locks
- Sash Stops Electronic Sash Closer
- Automatic Sash Return Sash Cap
- Sash Alarm
- Pass Through Cord Ports**
- 1.5" Dia. Front Post Cord Ports
- _____ Dia. Side Panel Cord Ports (please specify size)
- Service Fixture Type:**
-
- Pre-Wire + Electrical:**
- Yes No

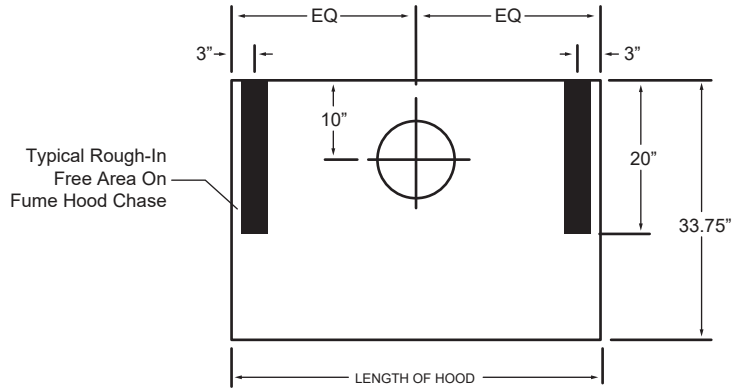


AIR MASTER SYSTEMS CORP
6480 NORTON CENTER DR.
MUSKEGON, MI 49441
TEL: (231) 798-1111 FAX: (231) 798-4000

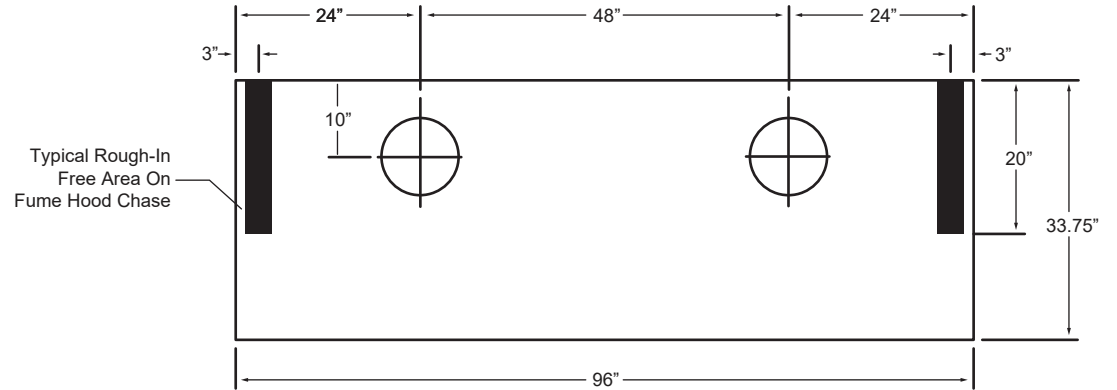
CUSTOMER: _____
QTY: _____
COLOR: _____

THE SOLUTION FUME HOOD

APPLICATIONS: K-12; HIGHER EDUCATION; INDUSTRIAL; BIO TECH / R&D



**SERVICE ROUGH-IN DETAIL
(FOR 48", 60", & 72" HOODS)**



**SERVICE ROUGH-IN DETAIL
(FOR 96" HOODS)**

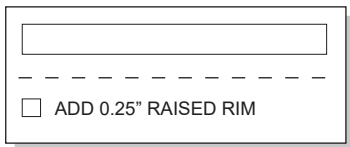
EPOXY WORK SURFACE (SPECIFY LOCATION OF CUPSINK)

*When utilizing 22" deep cabinets, cup sink measurement changes to 5.25" in lieu of 9"

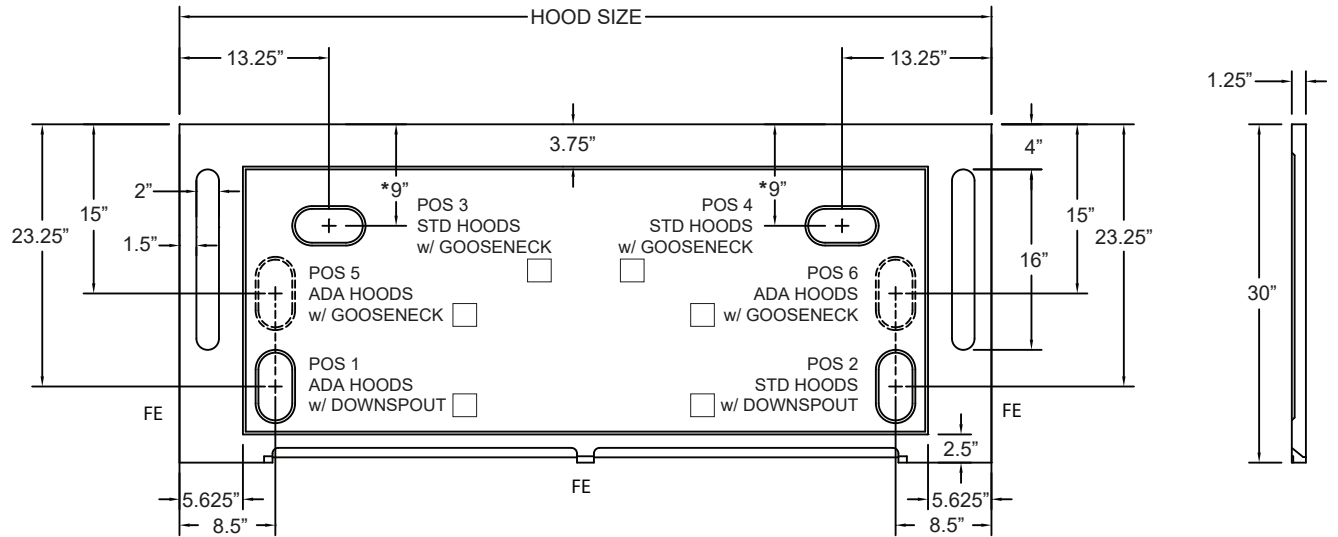
Note: At 5.25", will have the cup sink sit slightly under the baffle.

Include Acid Cabinet Vent Hole

CUPSINK OPTIONS:



WORK SURFACE MATERIAL:



PART #	SUPERSTRUCTURE			18" SASH HT.		28" SASH HT.	
				CFM @ 100 FPM / SP	CFM @ 60 FPM / SP	CFM @ 100 FPM / SP	CFM @ 60 FPM / SP
	W	H	D				
Solution-48	48"	57.25"	33.75"	475 / 0.10	285 / 0.04	739 / 0.26	433 / 0.09
Solution-60	60"	57.25"	33.75"	625 / 0.12	375 / 0.05	972 / 0.32	583 / 0.12
Solution-72	72"	57.25"	33.75"	775 / 0.16	465 / 0.06	1206 / 0.41	723 / 0.15
Solution-84	84"	57.25"	33.75"	925 / 0.20	555 / 0.07	1438 / 0.50	863 / 0.18
Solution-96	96"	57.25"	33.75"	1075 / 0.11	645 / 0.04	1672 / 0.29	1003 / 0.10
Solution-120	120"	57.25"	33.75"	1375 / 0.17	825 / 0.06	2138 / 0.43	1283 / 0.16