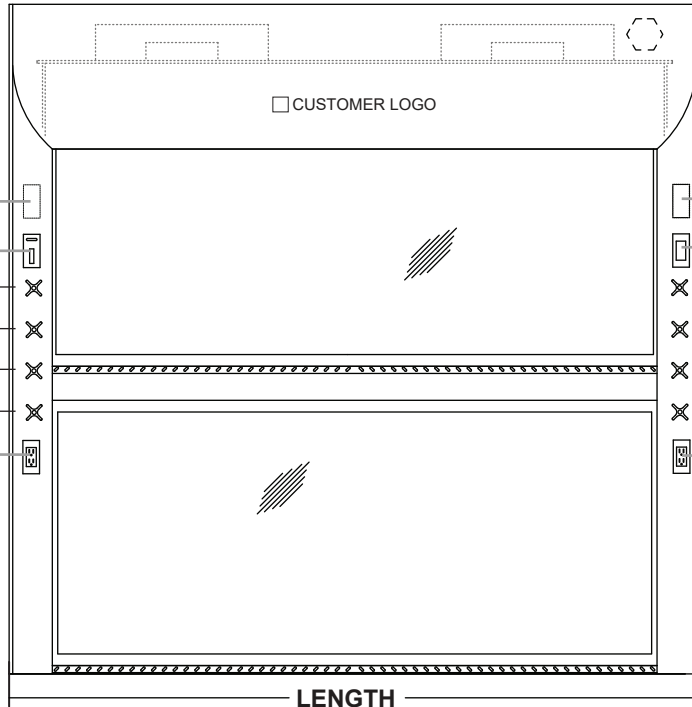


THE SOLUTION WALK-IN FUME HOOD

APPLICATIONS: HIGHER EDUCATION; INDUSTRIAL; BIO TECH / R&D



LINER MATERIAL:

PRE-PIPING:

BYPASS TYPE:

LENGTH 48" 60" 72" 96" 120" Other

SPECIAL REQUIREMENTS: _____

** FOR PROPER INSTALLATION & FUNCTIONALITY OF FUME HOOD, FLOORING MUST BE LEVELED BY OWNER PRIOR TO DELIVERY OF FUME HOODS.

WIRING DIAGRAM

SPECIAL DEPTH REQUIRED? Yes No

SPECIFY INTERIOR DEPTH _____

SPECIAL HEIGHT REQUIRED? Yes No
Standard Interior Height 85"

SPECIFY INTERIOR HEIGHT _____

STANDARD FEATURES

- **Interior Baffle Arrangement:**
Fixed Baffles (standard)
- **Exhaust Collar:**
Type 304 s/s - 10" Dia. Round (standard)
Other _____
- **Interior Lighting Fixture:**
Standard LED Fixtures (standard)
- **Sash Frame & Glass:**
Painted Steel Frame w/ Laminated Safety Glass (standard)
- **Sash Type:**
Vertical Rising (standard)

OPTIONAL ACCESSORIES

Lattice Assembly:

Interior Lighting Fixture:
 Explosion Proof Light

Ceiling Enclosure:
 Yes (Height: _____) No
• **Hinged Access Panel on Ceiling Enclosures?:**
 Yes No

Finished Back:
 Yes No

Sash Type:

- Additional Options:**
- Blower
 - Sash Stops Button
 - Sash Locks
 - Sash Alarm
 - Sash Cap
 - Panel Mounted Cupsink
 - Stainless Steel Ramp
 - Epoxy Flooring

Pass Through Cord Ports
 1.5" Dia. Front Post Cord Ports Left Right
 _____ Dia. Side Panel Cord Ports (please specify size)

Service Fixture Type:

Pre-Wire + Electrical:
 Yes No



AIR MASTER SYSTEMS CORP
6480 NORTON CENTER DR.
MUSKEGON, MI 49441
TEL: (231) 798-1111 FAX: (231) 798-4000

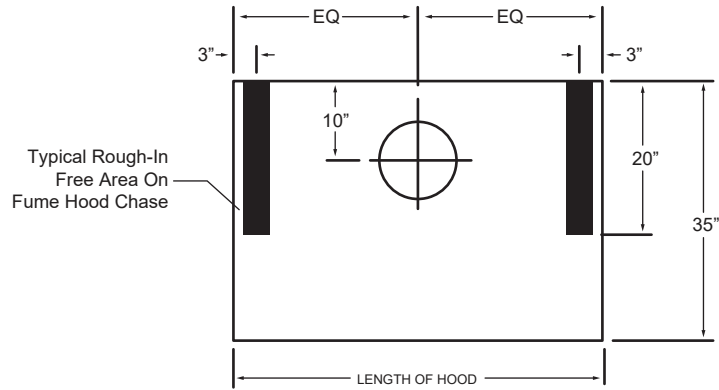
CUSTOMER: _____

QTY: _____

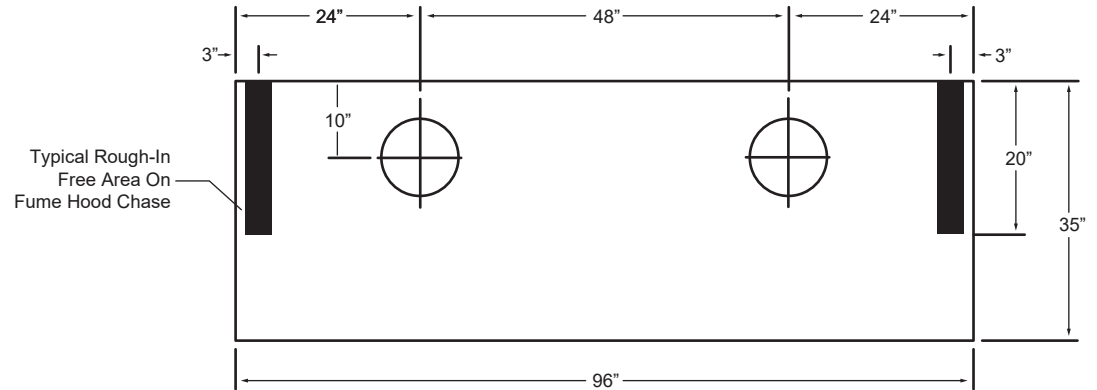
COLOR: _____

THE SOLUTION WALK-IN FUME HOOD

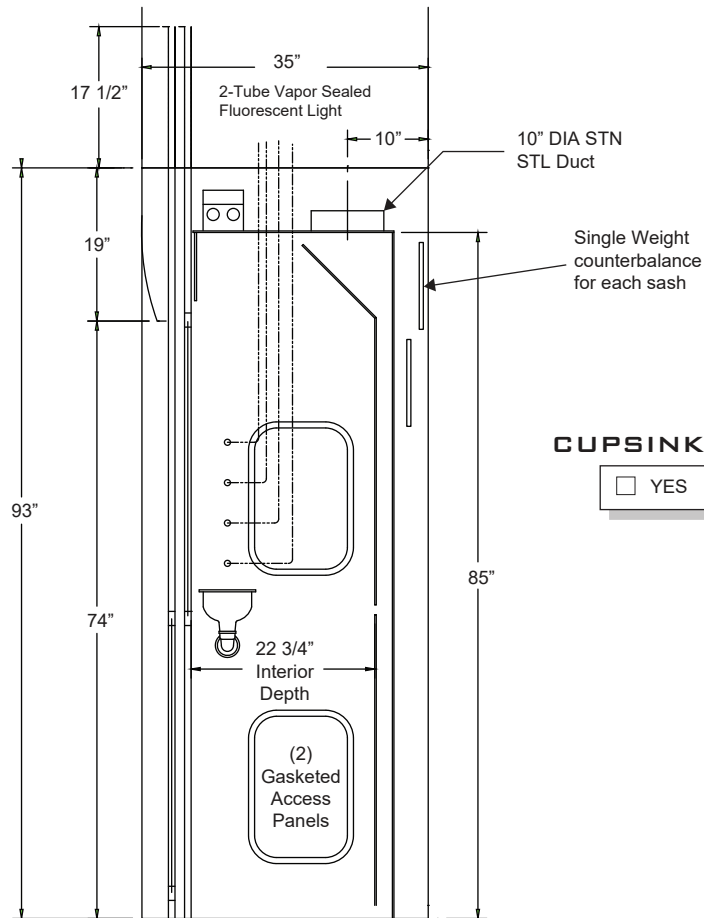
APPLICATIONS: HIGHER EDUCATION; INDUSTRIAL; BIO TECH / R&D



**SERVICE ROUGH-IN DETAIL
(FOR 48", 60", & 72" HOODS)**



**SERVICE ROUGH-IN DETAIL
(FOR 96" & 120" HOODS)**



CUPSINK OPTIONS:

YES NO

PART #	SUPERSTRUCTURE			HOOD OPENING		CFM @ 18"	CFM @ 36"	CFM @ 72"	SP	BLOWER MODEL #	SHIPPING WEIGHT
	W	H	D	W	H						
SOL-WI-48	48"	93"	35"	38"	72"	445	990	1979	.25	BL-400-48	560
SOL-WI-60	60"	93"	35"	50"	72"	653	1306	2613	.34	BL-400-60	675
SOL-WI-72	72"	93"	35"	62"	72"	812	1623	3246	.50	BL-400-72	790
SOL-WI-96	96"	93"	35"	86"	72"	1128	2256	4513	.34	BL-400-96	1025
SOL-WI-120	120"	93"	35"	108"	72"	1444	2889	5780	.58	BL-400-96	2500

*Height of open sash; CFM Calculated at 100 FPM