

# Stainless Steel Laboratory Casework

product catalog



# Contents

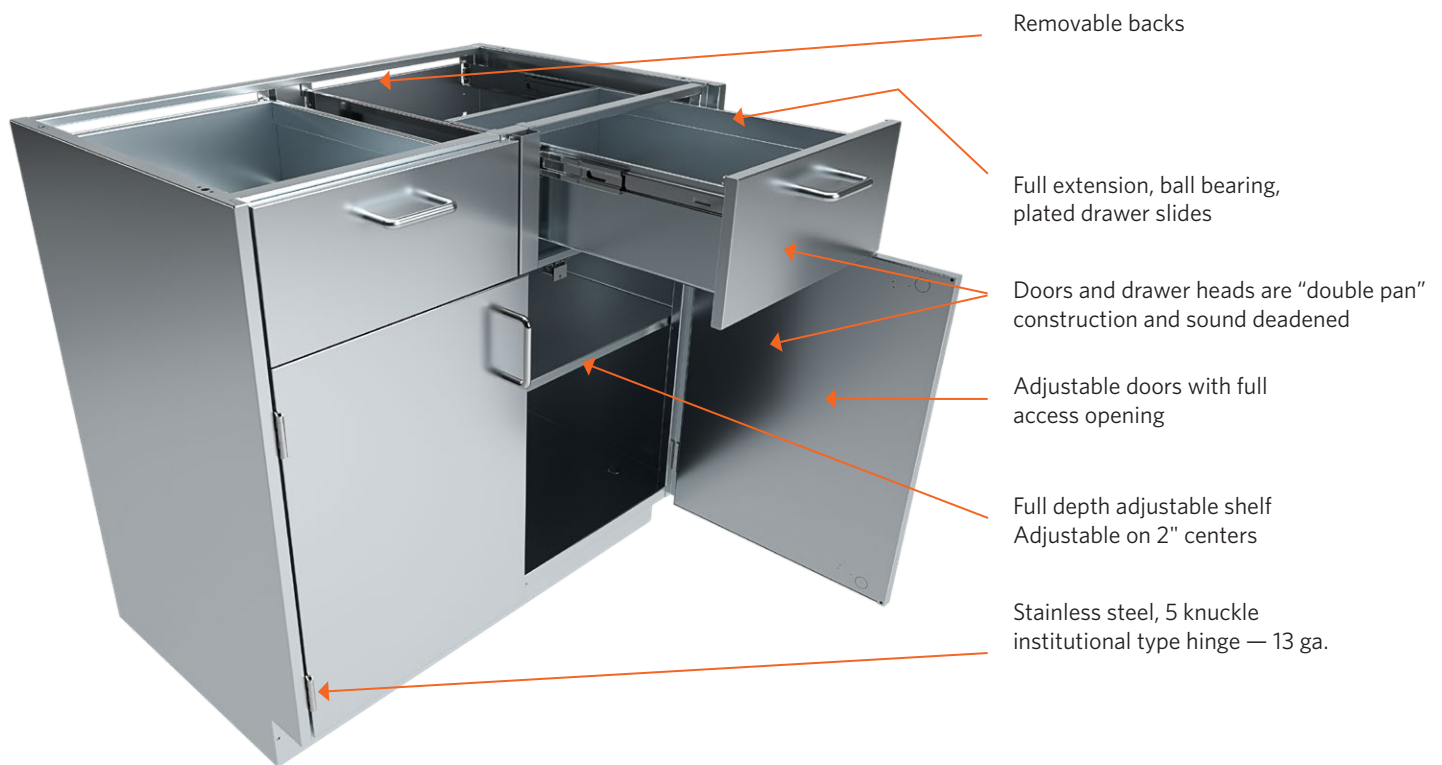
---

<b>Cabinet Specifications</b>	<b>3</b>
<b>Ordering Guide</b>	<b>4</b>
<b>Options Menu</b>	<b>5</b>
<b>Base Cabinets — Standing Height</b>	<b>8</b>
Open Cabinets	8
Door Cabinets	8
Drawer Cabinets	9
Door & Drawer Cabinets	12
Shelves & Pull Out Shelves	16
Corner Cabinets	16
Three or Five Equal Drawer Cabinet	17
Sink & Fume Hood Cabinets	18
<b>Base Cabinets — Sitting Height</b>	<b>19</b>
Open Cabinets	19
Door Cabinets	19
Drawer Cabinets	20
Door & Drawer Cabinets	23
Sink & Fume Hood Cabinets	25
Corner Cabinets	26
<b>Base Cabinets — ADA Height</b>	<b>27</b>
Open Cabinets	27
Door Cabinets	27
Drawer Cabinets	28
Door & Drawer Cabinets	29
Corner Cabinets	30
Sink & Fume Hood Cabinets	31
<b>Base Cabinets — Corrosives &amp; Flammables</b>	<b>33</b>
Corrosives Storage Cabinets	33
Flammables Storage Cabinets	36
<b>Vacuum Pump Cabinets</b>	<b>38</b>
<b>Mobile Cabinets</b>	<b>40</b>
<b>Suspended Cabinets</b>	<b>42</b>
<b>Overlay Cabinets</b>	<b>44</b>
<b>Tall Cabinets</b>	<b>46</b>
<b>Wall Cabinets — 24" Height</b>	<b>48</b>
<b>Wall Cabinets — 30" Height</b>	<b>50</b>
<b>Wall Cabinets — 36" Height</b>	<b>52</b>
<b>Wall Cabinets — 48" Height</b>	<b>54</b>
<b>Aprons</b>	<b>56</b>
<b>Utility Tables</b>	<b>57</b>
<b>Filler Panels</b>	<b>58</b>
<b>Knee Space Rails and Panels</b>	<b>60</b>
<b>Counter Island Reagent</b>	<b>62</b>
<b>Accessories</b>	<b>63</b>
<b>Canopy Hoods</b>	<b>64</b>
<b>Countertop Wall Brackets</b>	<b>64</b>
<b>Countertops</b>	<b>65</b>
<b>Table Tops</b>	<b>66</b>
<b>Wall Mounted Sink Enclosure</b>	<b>67</b>
<b>Scullery Sinks</b>	<b>68</b>
<b>Cylinder Racks</b>	<b>69</b>
<b>Umbilicals</b>	<b>70</b>

**Note:**

Images in this catalog are for representation only. For complete product specifications, contact your AMS representative.

# Cabinet Specifications



All surfaces shall be Stainless Steel Type 304. Exterior finish is #4 and interior finish is 2B. Specific test data is available upon request.

## Gauges of base cabinet components

Aprons	18 ga.
Back Panels	18 ga.
Bottom Panels	18 ga.
Drawer/Door Outer Panel	20 ga.
Door Inner Panel	20 ga.
Drawer Bodies	20 ga.
Legs - 2"sq. tube	16 ga.
Shelves	18 ga.
Side Panels	18 ga.
Table Frames	18 ga.
Security Panels	20 ga.

For complete specifications, request our full line of product specifications. Subject to change.

## IMPORTANT NOTE:

All part numbers may not reflect actual dimensions.

# Ordering Guide

<b>S</b>	<b>TYPE</b>	<b>HEIGHT</b>	<b>WIDTH</b>	<b>- STYLE</b>	<b>- OPTIONS</b>
<b>Cabinet Type</b>					
B	Base (Inset)				
F	Floor (Tall)				
HB	Suspended Base				
OB	Overlay Base				
MB	Mobile Base				
W	Wall				
ASB	Acid Storage Base				
FSB	Flammable Storage				
<b>Base Cabinet Height</b>					
29"	Sitting Height				
32"	ADA Height				
35"	Standing Height				
<b>Wall Cabinet Height</b>					
24"	30"	36"	48"		
<b>Cabinet Width</b>					
12"	15"	18"	21"	24"	30"
36"	42"	48"			
<b>Cabinet Style</b>					
Reference AMS catalog for door and drawer configurations					
<b>Option Suffix (for base cabinet)</b>					
-18	Depth(contact AMS for approval)		-PS	1 Pull Out Shelf	
-LK	Locks		-2PS	2 Pull Out Shelves	
-LTK	Toe Kick On Left Side Of Cabinet		-3PS	3 Pull Out Shelves	
-RTK	Toe Kick On Right Side Of Cabinet		-VK	Vent Kit (only for acid cabinet)	
-SS	Stainless Steel, Type 304		-VD	Vertical Divider	
-SS316	Stainless Steel, Type 316		-FB	Finished Backs	
-BB	Bread Board(selected models only)		-EC	End Covers	
			-F	Flush Pull	
<b>Option Suffix (for wall cabinet)</b>					
-16	16" Depth		-TG	Tempered Glass	
-LK	Locks		-LG	Laminate (Safety) Glass	
-SS	Stainless Steel, Type 304		-THB	Titan Hanging Bracket	
-SS316	Stainless Steel, Type 316		-F	Flush Pull	
<b>Option Suffix (for mobile cabinet)</b>					
-18	Depth(contact AMS for approval)		-T	3/4" THK. Metal Top	
-LK	Locks		-E	3/4" THK. Epoxy Top	
-SS	Stainless Steel, Type 304		-P	3/4" THK. Phenolic Top	
-SS316	Stainless Steel, Type 316		-2"	Casters (in lieu of standard 3")	
-BB	Bread Board (selected models only)		-F	Flush Pull	
<b>Option Suffix (for tall cabinet)</b>					
-LK	Locks		-LG	Laminate (Safety) Glass	
-SS	Stainless Steel, Type 304		-WB	Wardrobe Bracket	
-SS316	Stainless Steel, Type 316		-PS	1 Pull Out Shelves	
-TG	Tempered Glass		-F	Flush Pull	

# Options Menu

---

## DOOR & DRAWER FRONTS

---



Inset Steel  
(Standard Default)



Flush Overlay  
Steel

## DRAWER SLIDES

---



- 100 lb. Full Extension (Standard Default)
- 100 lb. Full Extension Soft Close
- 200 lb. Full Extension

## HINGES

---



Inset Steel  
Stainless Steel 5-Knuckle



Flush Overlay  
Stainless Steel 5-Knuckle

# Options Menu

---

## MAGNETIC & ROLLER CATCH

---



Magnetic Catch  
(Standard Default)



Roller Catch

## LOCKS

---

Master 5-Pin  
(Standard Default)



## PULLS

---



Stainless Steel Wire Pulls

# Options Menu

---

## LABEL HOLDERS

---



- None (Standard Default)
- One each door and drawer
- One per pair of doors and each drawer

## BASE UNIT SHELF

---



- One piece adjustable (Standard Default)  
*Extra Quantity Available*

## GLASS FRAMED DOORS

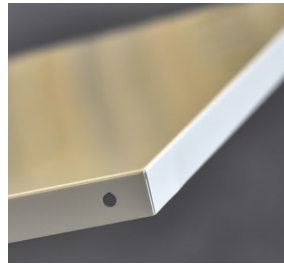
---



- 3/16" Clear Float Glass (Standard Default)
- 1/4" Laminated Safety Glass
- 1/4" Tempered Safety Glass

## SECURITY PANELS

---



- Without Security Panel (Standard Default)
- With Security Panel

## BREADBOARD

---



- Sitting Height variations only

## GLASS DOORS

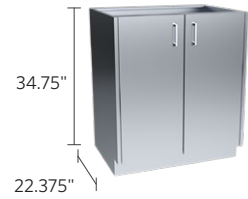
---



- 1/4" Clear Float Glass (Standard Default)
- Laminated Glass
- Tempered Glass

# Base Cabinets — Standing Height

Standing height base cabinets are 34.75" high and 22.375" deep. Units are available in various widths as shown. Door units feature a single shelf as standard. All open units have 2 shelves. Additional shelves are available. Specify left- or right-hinged doors using the suffix "L" or "R". If locks are required use the suffix "LK". If a finished back is required use the suffix "FB".



## OPEN CABINETS



Up to 24" wide

Width	Item Number
12"	SB3512-000-SS
15"	SB3515-000-SS
18"	SB3518-000-SS
21"	SB3521-000-SS
24"	SB3524-000-SS



30" and wider

Width	Item Number
30"	SB3530-000-SS
36"	SB3536-000-SS
42"	SB3542-000-SS
48"	SB3548-000-SS

## DOOR CABINETS



Example: SB3515-100R-SS

Width	Left & Right Hinged
12"	SB3512-100L-SS
15"	SB3515-100L-SS
18"	SB3518-100L-SS
21"	SB3521-100L-SS
24"	SB3524-100L-SS
12"	SB3512-100R-SS
15"	SB3515-100R-SS
18"	SB3518-100R-SS
21"	SB3521-100R-SS
24"	SB3524-100R-SS

Note: L(left) or R(right) refers to door hinge side.



30" and wider

Width	Item Number
30"	SB3530-200-SS
36"	SB3536-200-SS
42"	SB3542-200-SS
48"	SB3548-200-SS



Example: SB3530-100-LPNL-SS

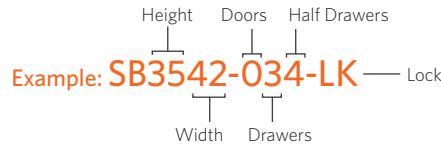
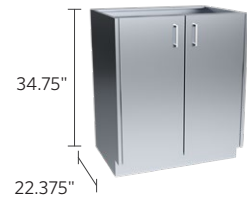
Width	Left & Right Hinged
30"	SB3530-100-LPNL-SS
36"	SB3536-100-LPNL-SS
42"	SB3542-100-LPNL-SS
48"	SB3548-100-LPNL-SS
30"	SB3530-100-RPNL-SS
36"	SB3536-100-RPNL-SS
42"	SB3542-100-RPNL-SS
48"	SB3548-100-RPNL-SS

Note: L(left) or R(right) refers to door hinge side. PNL(panel) refers to panel next to door



# Base Cabinets — Standing Height

Standing height base cabinets are 34.75" high and 22.375" deep. Units are available in various widths as shown. Drawer units feature 100 lb. full extension slides as standard. If locks are required use the suffix "LK". If a finished back is required use the suffix "FB".



## DRAWER CABINETS



Width	Item Number
12"	SB3512-032-SS
15"	SB3515-032-SS
18"	SB3518-032-SS
21"	SB3521-032-SS
24"	SB3524-032-SS

Up to 24" wide



Width	Item Number
30"	SB3530-032-SS
36"	SB3536-032-SS
42"	SB3542-032-SS
48"	SB3548-032-SS

30" and wider



Width	Item Number
12"	SB3512-024-SS
15"	SB3515-024-SS
18"	SB3518-024-SS
21"	SB3521-024-SS
24"	SB3524-024-SS

Up to 24" wide



Width	Item Number
30"	SB3530-028-SS
36"	SB3536-028-SS
42"	SB3542-028-SS
48"	SB3548-028-SS

30" and wider



Width	Item Number
12"	SB3512-008-SS
15"	SB3515-008-SS
18"	SB3518-008-SS
21"	SB3521-008-SS
24"	SB3524-008-SS

Up to 24" wide



Width	Item Number
30"	SB3530-008-SS
36"	SB3536-008-SS
42"	SB3542-008-SS
48"	SB3548-008-SS

30" and wider



Width	Item Number
12"	SB3512-040-SS
15"	SB3515-040-SS
18"	SB3518-040-SS
21"	SB3521-040-SS
24"	SB3524-040-SS

Up to 24" wide



Width	Item Number
30"	SB3530-040-SS
36"	SB3536-040-SS
42"	SB3542-040-SS
48"	SB3548-040-SS

30" and wider

# Base Cabinets — Standing Height

Standing height base cabinets are 34.75" high and 22.375" deep. Units are available in various widths as shown. Drawer units feature 100 lb. full extension slides as standard. If locks are required use the suffix "LK". If a finished back is required use the suffix "FB".



## DRAWER CABINETS



Width	Item Number
12"	SB3512-012-1F-SS
15"	SB3515-012-1F-SS
18"	SB3518-012-1F-SS
21"	SB3521-012-1F-SS
24"	SB3524-012-1F-SS

Up to 24" wide



Width	Item Number
30"	SB3530-024-2F-SS
36"	SB3536-024-2F-SS
42"	SB3542-024-2F-SS
48"	SB3548-024-2F-SS

30" and wider



Width	Item Number
12"	SB3512-000-2F-SS
15"	SB3515-000-2F-SS
18"	SB3518-000-2F-SS
21"	SB3521-000-2F-SS
24"	SB3524-000-2F-SS

Up to 24" wide



Width	Item Number
30"	SB3530-000-4F-SS
36"	SB3536-000-4F-SS
42"	SB3542-000-4F-SS
48"	SB3548-000-4F-SS

30" and wider



Width	Item Number
12"	SB3512-004-1F-SS
15"	SB3515-004-1F-SS
18"	SB3518-004-1F-SS
21"	SB3521-004-1F-SS
24"	SB3524-004-1F-SS

Up to 24" wide



Width	Item Number
30"	SB3530-008-2F-SS
36"	SB3536-008-2F-SS
42"	SB3542-008-2F-SS
48"	SB3548-008-2F-SS

30" and wider



Width	Item Number
12"	SB3512-020-1F-SS
15"	SB3515-020-1F-SS
18"	SB3518-020-1F-SS
21"	SB3521-020-1F-SS
24"	SB3524-020-1F-SS

Up to 24" wide

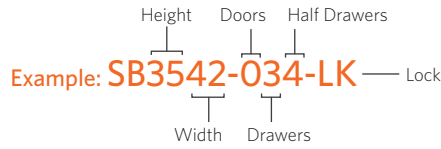


Width	Item Number
30"	SB3530-040-2F-SS
36"	SB3536-040-2F-SS
42"	SB3542-040-2F-SS
48"	SB3548-040-2F-SS

30" and wider

# Base Cabinets — Standing Height

Standing height base cabinets are 34.75" high and 22.375" deep. Units are available in various widths as shown. Drawer units feature 100 lb. full extension slides as standard. If locks are required use the suffix "LK". If a finished back is required use the suffix "FB".



## DRAWER CABINETS



30" and wider

Width	Item Number
30"	SB3530-050-SS
36"	SB3536-050-SS
42"	SB3542-050-SS
48"	SB3548-050-SS



30" and wider

Width	Item Number
30"	SB3530-064-SS
36"	SB3536-064-SS
42"	SB3542-064-SS
48"	SB3548-064-SS



30" and wider

Width	Item Number
30"	SB3530-060-SS
36"	SB3536-060-SS
42"	SB3542-060-SS
48"	SB3548-060-SS



30" and wider

Width	Item Number
30"	SB3530-070-SS
36"	SB3536-070-SS
42"	SB3542-070-SS
48"	SB3548-070-SS



30" and wider

Width	Item Number
30"	SB3530-080-SS
36"	SB3536-080-SS
42"	SB3542-080-SS
48"	SB3548-080-SS



30" and wider

Width	Item Number
30"	SB3530-052-SS
36"	SB3536-052-SS
42"	SB3542-052-SS
48"	SB3548-052-SS



30" and wider

Width	Item Number
30"	SB3530-044-SS
36"	SB3536-044-SS
42"	SB3542-044-SS
48"	SB3548-044-SS

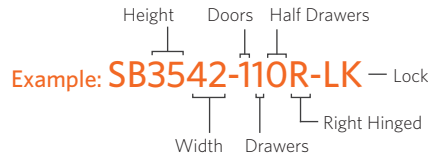
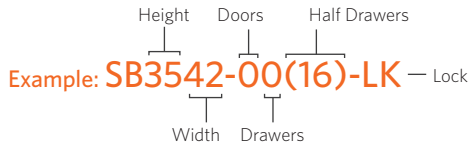


30" and wider

Width	Item Number
30"	SB3530-034-SS
36"	SB3536-034-SS
42"	SB3542-034-SS
48"	SB3548-034-SS

# Base Cabinets — Standing Height

Standing height base cabinets are 34.75" high and 22.375" deep. Units are available in various widths as shown. Drawer units feature 100 lb. full extension slides as standard. Door units feature a single shelf as standard. Additional shelves are available. Specify left- or right-hinged doors using the suffix "L" or "R". If locks are required use the suffix "LK". If a finished back is required use the suffix "FB".



## DRAWER CABINETS



Up to 24" wide

Width	Item Number
12"	SB3512-016-SS
15"	SB3515-016-SS
18"	SB3518-016-SS
21"	SB3521-016-SS
24"	SB3524-016-SS



30" and wider

Width	Item Number
30"	SB3530-016-SS
36"	SB3536-016-SS
42"	SB3542-016-SS
48"	SB3548-016-SS



30" and wider

Width	Item Number
30"	SB3530-00(16)-SS
36"	SB3536-00(16)-SS
42"	SB3542-00(16)-SS
48"	SB3548-00(16)-SS

## DOOR & DRAWER CABINETS



Right-hinged door shown

Width	Left & Right Hinged
12"	SB3512-110L-SS
15"	SB3515-110L-SS
18"	SB3518-110L-SS
21"	SB3521-110L-SS
24"	SB3524-110L-SS
12"	SB3512-110R-SS
15"	SB3515-110R-SS
18"	SB3518-110R-SS
21"	SB3521-110R-SS
24"	SB3524-110R-SS

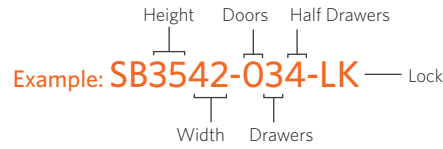


Right-hinged door shown

Width	Left & Right Hinged
12"	SB3512-102L-SS
15"	SB3515-102L-SS
18"	SB3518-102L-SS
21"	SB3521-102L-SS
24"	SB3524-102L-SS
12"	SB3512-102R-SS
15"	SB3515-102R-SS
18"	SB3518-102R-SS
21"	SB3521-102R-SS
24"	SB3524-102R-SS

# Base Cabinets — Standing Height

Standing height base cabinets are 34.75" high and 22.375" deep. Units are available in various widths as shown. Drawer units feature 100 lb. full extension slides as standard. Door units feature a single shelf as standard. Additional shelves are available. Specify left- or right-hinged doors using the suffix "L" or "R". If locks are required use the suffix "LK". If a finished back is required use the suffix "FB".



## DOOR & DRAWER CABINETS



30" and wider

Width	Item Number
30"	SB3530-212-SS
36"	SB3536-212-SS
42"	SB3542-212-SS
48"	SB3548-212-SS



30" and wider

Width	Item Number
30"	SB3530-220-SS
36"	SB3536-220-SS
42"	SB3542-220-SS
48"	SB3548-220-SS



30" and wider

Width	Item Number
30"	SB3530-202-A-SS
36"	SB3536-202-A-SS
42"	SB3542-202-A-SS
48"	SB3548-202-A-SS



30" and wider

Width	Left & Right Hinged
30"	SB3530-202L-SS
36"	SB3536-202L-SS
42"	SB3542-202L-SS
48"	SB3548-202L-SS
30"	SB3530-202R-SS
36"	SB3536-202R-SS
42"	SB3542-202R-SS
48"	SB3548-202R-SS



30" and wider

Width	Item Number
30"	SB3530-204-SS
36"	SB3536-204-SS
42"	SB3542-204-SS
48"	SB3548-204-SS



30" and wider

Width	Left & Right Hinged
30"	SB3530-142L-SS
36"	SB3536-142L-SS
42"	SB3542-142L-SS
48"	SB3548-142L-SS
30"	SB3530-142R-SS
36"	SB3536-142R-SS
42"	SB3542-142R-SS
48"	SB3548-142R-SS



30" and wider

Width	Left & Right Hinged
30"	SB3530-118L-SS
36"	SB3536-118L-SS
42"	SB3542-118L-SS
48"	SB3548-118L-SS
30"	SB3530-118R-SS
36"	SB3536-118R-SS
42"	SB3542-118R-SS
48"	SB3548-118R-SS

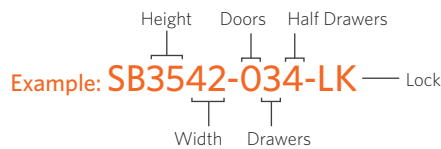


30" and wider

Width	Left & Right Hinged
30"	SB3530-118-AL-SS
36"	SB3536-118-AL-SS
42"	SB3542-118-AL-SS
48"	SB3548-118-AL-SS
30"	SB3530-118-AR-SS
36"	SB3536-118-AR-SS
42"	SB3542-118-AR-SS
48"	SB3548-118-AR-SS

# Base Cabinets — Standing Height

Standing height base cabinets are 34.75" high and 22.375" deep. Units are available in various widths as shown. Drawer units feature 100 lb. full extension slides as standard. Door units feature a single shelf as standard. Additional shelves are available. Specify left- or right-hinged doors using the suffix "L" or "R". If locks are required use the suffix "LK". If a finished back is required use the suffix "FB".



## DOOR & DRAWER CABINETS



Right-hinged door shown

Width	Left & Right Hinged
30"	SB3530-140L-SS
36"	SB3536-140L-SS
42"	SB3542-140L-SS
48"	SB3548-140L-SS
30"	SB3530-140R-SS
36"	SB3536-140R-SS
42"	SB3542-140R-SS
48"	SB3548-140R-SS



Right-hinged door shown

Width	Left & Right Hinged
30"	SB3530-140-BL-SS
36"	SB3536-140-BL-SS
42"	SB3542-140-BL-SS
48"	SB3548-140-BL-SS
30"	SB3530-140-BR-SS
36"	SB3536-140-BR-SS
42"	SB3542-140-BR-SS
48"	SB3548-140-BR-SS



Right-hinged door shown

Width	Left & Right Hinged
30"	SB3530-134L-SS
36"	SB3536-134L-SS
42"	SB3542-134L-SS
48"	SB3548-134L-SS
30"	SB3530-134R-SS
36"	SB3536-134R-SS
42"	SB3542-134R-SS
48"	SB3548-134R-SS



Right-hinged door shown

Width	Left & Right Hinged
30"	SB3530-134-AL-SS
36"	SB3536-134-AL-SS
42"	SB3542-134-AL-SS
48"	SB3548-134-AL-SS
30"	SB3530-134-AR-SS
36"	SB3536-134-AR-SS
42"	SB3542-134-AR-SS
48"	SB3548-134-AR-SS



30" and wider

Width	Item Number
30"	SB3530-210-SS
36"	SB3536-210-SS
42"	SB3542-210-SS
48"	SB3548-210-SS

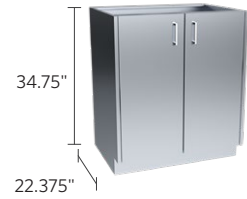


Right-hinged door shown

Width	Left & Right Hinged
30"	SB3530-210-AL-SS
36"	SB3536-210-AL-SS
42"	SB3542-210-AL-SS
48"	SB3548-210-AL-SS
30"	SB3530-210-AR-SS
36"	SB3536-210-AR-SS
42"	SB3542-210-AR-SS
48"	SB3548-210-AR-SS

# Base Cabinets — Standing Height

Standing height base cabinets are 34.75" high and 22.375" deep. Units are available in various widths as shown. Drawer units feature 100 lb. full extension slides as standard. Door units feature a single shelf as standard. Additional shelves are available. Specify left- or right-hinged doors using the suffix "L" or "R". If locks are required use the suffix "LK". If vertical divider is required between cup board and drawer section use the suffix "VD". If a finished back is required use the suffix "FB".



## DOOR & DRAWER CABINETS



Right-hinged door shown

Width	Left & Right Hinged
30"	SB3530-150L-SS
36"	SB3536-150L-SS
42"	SB3542-150L-SS
48"	SB3548-150L-SS
30"	SB3530-150R-SS
36"	SB3536-150R-SS
42"	SB3542-150R-SS
48"	SB3548-150R-SS



Right-hinged door shown

Width	Left & Right Hinged
30"	SB3530-116L-SS
36"	SB3536-116L-SS
42"	SB3542-116L-SS
48"	SB3548-116L-SS
30"	SB3530-116R-SS
36"	SB3536-116R-SS
42"	SB3542-116R-SS
48"	SB3548-116R-SS



Right-hinged door shown

Width	Left & Right Hinged
30"	SB3530-126L-SS
36"	SB3536-126L-SS
42"	SB3542-126L-SS
48"	SB3548-126L-SS
30"	SB3530-126R-SS
36"	SB3536-126R-SS
42"	SB3542-126R-SS
48"	SB3548-126R-SS



Right-hinged door shown

Width	Left & Right Hinged
30"	SB3530-126-AL-SS
36"	SB3536-126-AL-SS
42"	SB3542-126-AL-SS
48"	SB3548-126-AL-SS
30"	SB3530-126-AR-SS
36"	SB3536-126-AR-SS
42"	SB3542-126-AR-SS
48"	SB3548-126-AR-SS



Right-hinged door shown

Width	Left & Right Hinged
30"	SB3530-108L-SS
36"	SB3536-108L-SS
42"	SB3542-108L-SS
48"	SB3548-108L-SS
30"	SB3530-108R-SS
36"	SB3536-108R-SS
42"	SB3542-108R-SS
48"	SB3548-108R-SS



Right-hinged door shown

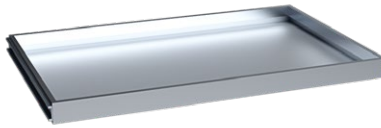
Width	Left & Right Hinged
30"	SB3530-132L-SS
36"	SB3536-132L-SS
42"	SB3542-132L-SS
48"	SB3548-132L-SS
30"	SB3530-132R-SS
36"	SB3536-132R-SS
42"	SB3542-132R-SS
48"	SB3548-132R-SS

# Base Cabinets — Standing Height

Standing height base cabinets are 34.75" high and 22.375" deep. Units are available in various widths as shown. Drawer units feature 100 lb. full extension slides as standard. Door units feature a single shelf as standard. Additional shelves are available. Specify left- or right-hinged doors using the suffix "L" or "R". If locks are required use the suffix "LK". If a finished back is required use the suffix "FB".



## SHELVES & PULL OUT SHELVES



Width	Item Number	Actual Width
12"	SBS1222-SS	11 3/4"
15"	SBS1522-SS	14 3/4"
18"	SBS1822-SS	17 3/4"
21"	SBS2122-SS	20 3/4"
24"	SBS2422-SS	23 3/4"
30"	SBS3022-SS	29 3/4"
36"	SBS3622-SS	35 3/4"
42"	SBS4222-SS	41 3/4"
48"	SBS4822-SS	47 3/4"

Width	Item Number	Actual Width
15"	SBPOS-1522-SS	11 7/8"
18"	SBPOS-1822-SS	14 7/8"
21"	SBPOS-2122-SS	17 7/8"
24"	SBPOS-2422-SS	20 7/8"
30"	SBPOS-3022-SS	26 7/8"
36"	SBPOS-3622-SS	32 7/8"
42"	SBPOS-4222-SS	38 7/8"
48"	SBPOS-4822-SS	44 7/8"

## CORNER CABINETS



Right-hinged door shown

Left Hinged	Right Hinged
SC3514-100L-SS	SC3514-100R-SS

Lazy Susan Add-On Suffix  
"LS"

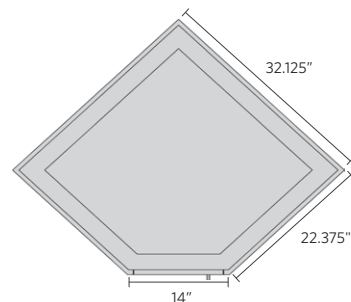


Right-hinged door shown

Left Hinged	Right Hinged
SC3514-100-SL-SS	SC3514-100-SR-SS

Left Hinged with Louvers	Right Hinged with Louvers
SC3514-100-SVL-SS	SC3514-100-SVR-SS

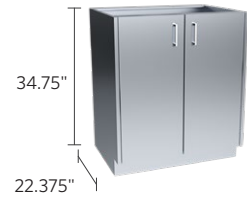
Lazy Susan Add-On Suffix  
"LS"





# Base Cabinets — Standing Height

Standing height base cabinets are 34.75" high and 22.375" deep. Units are available in various widths as shown. Drawer units feature 100 lb. full extension slides as standard. Door units feature a single shelf as standard. Additional shelves are available. Specify left- or right-hinged doors using the suffix "L" or "R". If locks are required use the suffix "LK". If a finished back is required use the suffix "FB".



## THREE OR FIVE EQUAL DRAWER CABINETS



Width	Item Number
12"	SB3512-03X-SS
15"	SB3515-03X-SS
18"	SB3518-03X-SS
21"	SB3521-03X-SS
24"	SB3524-03X-SS

Up to 24" wide



Width	Item Number
30"	SB3530-03X-SS
36"	SB3536-03X-SS
42"	SB3542-03X-SS
48"	SB3548-03X-SS

30" and wider



Width	Item Number
12"	SB3512-05X-SS
15"	SB3515-05X-SS
18"	SB3518-05X-SS
21"	SB3521-05X-SS
24"	SB3524-05X-SS

Up to 24" wide



Width	Item Number
30"	SB3530-05X-SS
36"	SB3536-05X-SS
42"	SB3542-05X-SS
48"	SB3548-05X-SS

30" and wider



Width	Item Number
30"	SB3530-0(10)X-SS
36"	SB3536-0(10)X-SS
42"	SB3542-0(10)X-SS
48"	SB3548-0(10)X-SS

30" and wider



Right-hinged door shown

Width	Left & Right Hinged
30"	SB3530-15X-L-SS
36"	SB3536-15X-L-SS
42"	SB3542-15X-L-SS
48"	SB3548-15X-L-SS
30"	SB3530-15X-R-SS
36"	SB3536-15X-R-SS
42"	SB3542-15X-R-SS
48"	SB3548-15X-R-SS

# Base Cabinets — Standing Height

Standing height base cabinets are 34.75" high and 22.375" deep. Units are available in various widths as shown. Drawer units feature 100 lb. full extension slides as standard. Specify left- or right-hinged doors using the suffix "L" or "R". If locks are required use the suffix "LK". If a finished back is required use the suffix "FB".



Example: **SB3552-200-SI** — Island  
 Height: 34.75", Width: 20", Doors: SB, Half Drawers: 52, Sink: SI

## SINK & FUME HOOD CABINETS



Right-hinged door shown  
Add "-SV(R/L)" for Vents

Width	Left & Right Hinged
12"	SB3512-100-SL-SS
15"	SB3515-100-SL-SS
18"	SB3518-100-SL-SS
21"	SB3521-100-SL-SS
24"	SB3524-100-SL-SS
12"	SB3512-100-SR-SS
15"	SB3515-100-SR-SS
18"	SB3518-100-SR-SS
21"	SB3521-100-SR-SS
24"	SB3524-100-SR-SS



30" and wider

Width	Item Number
30"	SB3530-200-S-SS
36"	SB3536-200-S-SS
42"	SB3542-200-S-SS
48"	SB3548-200-S-SS

Add "-SV" for Vents



Right-hinged door shown  
-FHD "Full Height Doors"

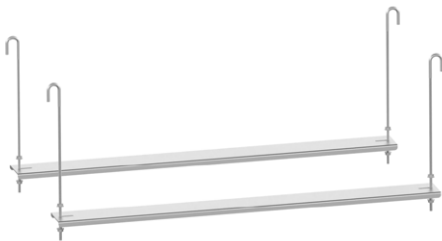
Width	Left & Right Hinged
12"	SB3512-100-S-FHD-SS
15"	SB3515-100-S-FHD-SS
18"	SB3518-100-S-FHD-SS
21"	SB3521-100-S-FHD-SS
24"	SB3524-100-S-FHD-SS
12"	SB3512-100-S-FHD-SS
15"	SB3515-100-S-FHD-SS
18"	SB3518-100-S-FHD-SS
21"	SB3521-100-S-FHD-SS
24"	SB3524-100-S-FHD-SS



30" and wider

Width	Item Number
30"	SB3530-200-S-FHD-SS
36"	SB3536-200-S-FHD-SS
42"	SB3542-200-S-FHD-SS
48"	SB3548-200-S-FHD-SS

-FHD "Full Height Doors"



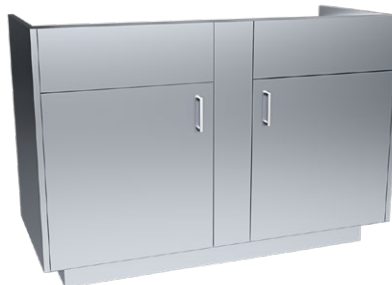
Sink Support Assembly

Item Number
SSS-C14
SSS-18
SSS-24
SSS-30
SSS-36
SSS-42
SSS-48
SSS-52
SSS-58



Width	Item Number
52"	SB3552-200-S-SS
58"	SB3558-200-S-SS

Available with vents:  
\*Change to -SV



Width	Item Number
52"	SB3552-200-SI-SS
58"	SB3558-200-SI-SS

# Base Cabinets — Sitting Height

Sitting height cabinets are 28.75" high and 22.375" deep. Units are available in various widths as shown. Door units feature single shelf as standard. Additional shelves are available. Specify left- or right-hinged doors using the suffix "L" or "R". If locks are required, use the suffix "LK". If a finished back is required use the suffix "FB".



## OPEN CABINETS



Up to 24" wide

Width	Item Number
12"	SB2912-000-SS
15"	SB2915-000-SS
18"	SB2918-000-SS
21"	SB2921-000-SS
24"	SB2924-000-SS



30" and wider

Width	Item Number
30"	SB2930-000-SS
36"	SB2936-000-SS
42"	SB2942-000-SS
48"	SB2948-000-SS

## DOOR CABINETS



Right-hinged door shown

Width	Left & Right Hinged
12"	SB2912-100L-SS
15"	SB2915-100L-SS
18"	SB2918-100L-SS
21"	SB2921-100L-SS
24"	SB2924-100L-SS
12"	SB2912-100R-SS
15"	SB2915-100R-SS
18"	SB2918-100R-SS
21"	SB2921-100R-SS
24"	SB2924-100R-SS



30" and wider

Width	Item Number
30"	SB2930-200-SS
36"	SB2936-200-SS
42"	SB2942-200-SS
48"	SB2948-200-SS



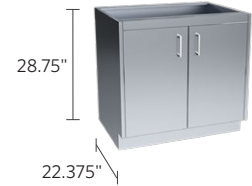
Example: SB2930-100-LPNL

Width	Left & Right Hinged
30"	SB2930-100-LPNL-SS
36"	SB2936-100-LPNL-SS
42"	SB2942-100-LPNL-SS
48"	SB2948-100-LPNL-SS
30"	SB2930-100-RPNL-SS
36"	SB2936-100-RPNL-SS
42"	SB2942-100-RPNL-SS
48"	SB2948-100-RPNL-SS

Note: L(left) or R(right) refers to door hinge side.  
PNL(panel) refers to panel next to door.

# Base Cabinets — Sitting Height

Sitting height cabinets are 28.75" high and 22.375" deep. Units are available in various widths as shown. Drawer units feature 100 lb. full extension slides as standard. If locks are required, use the suffix "LK". If a finished back is required use the suffix "FB".



Example: **SB2930-022-LK** — Lock

Labels: Height, Doors, Half Drawers, Width, Drawers

## DRAWER CABINETS



Up to 24" wide

Width	Item Number
12"	SB2912-030-SS
15"	SB2915-030-SS
18"	SB2918-030-SS
21"	SB2921-030-SS
24"	SB2924-030-SS



30" and wider

Width	Item Number
30"	SB2930-030-SS
36"	SB2936-030-SS
42"	SB2942-030-SS
48"	SB2948-030-SS



Up to 24" wide

Width	Item Number
12"	SB2912-022-SS
15"	SB2915-022-SS
18"	SB2918-022-SS
21"	SB2921-022-SS
24"	SB2924-022-SS



30" and wider

Width	Item Number
30"	SB2930-022-SS
36"	SB2936-022-SS
42"	SB2942-022-SS
48"	SB2948-022-SS



Up to 24" wide

Width	Item Number
12"	SB2912-014-SS
15"	SB2915-014-SS
18"	SB2918-014-SS
21"	SB2921-014-SS
24"	SB2924-014-SS



30" and wider

Width	Item Number
30"	SB2930-014-SS
36"	SB2936-014-SS
42"	SB2942-014-SS
48"	SB2948-014-SS

# Base Cabinets — Sitting Height

Sitting height cabinets are 28.75" high and 22.375" deep. Units are available in various widths as shown. Drawer units feature 100 lb. full extension slides as standard. If locks are required, use the suffix "LK". If a finished back is required use the suffix "FB".



Example: **SB2930-040-2F-LK** — Lock

Labels: Height, Doors, Half Drawers, Width, Drawers, File Drawers

## DRAWER CABINETS



Width	Item Number
12"	SB2912-006-SS
15"	SB2915-006-SS
18"	SB2918-006-SS
21"	SB2921-006-SS
24"	SB2924-006-SS

Up to 24" wide



Width	Item Number
30"	SB2930-006-SS
36"	SB2936-006-SS
42"	SB2942-006-SS
48"	SB2948-006-SS

30" and wider



Width	Item Number
12"	SB2912-002-1F-SS
15"	SB2915-002-1F-SS
18"	SB2918-002-1F-SS
21"	SB2921-002-1F-SS
24"	SB2924-002-1F-SS

Up to 24" wide



Width	Item Number
30"	SB2930-004-2F-SS
36"	SB2936-004-2F-SS
42"	SB2942-004-2F-SS
48"	SB2948-004-2F-SS

30" and wider



Width	Item Number
15"	SB2915-000-2F-SS
18"	SB2918-000-2F-SS
21"	SB2921-000-2F-SS
24"	SB2924-000-2F-SS

Up to 24" wide



Width	Item Number
30"	SB2930-000-4F-SS
36"	SB2936-000-4F-SS
42"	SB2942-000-4F-SS
48"	SB2948-000-4F-SS

30" and wider



Width	Item Number
15"	SB2915-010-1F-SS
18"	SB2918-010-1F-SS
21"	SB2921-010-1F-SS
24"	SB2924-010-1F-SS

Up to 24" wide



Width	Item Number
30"	SB2930-020-2F-SS
36"	SB2936-020-2F-SS
42"	SB2942-020-2F-SS
48"	SB2948-020-2F-SS

30" and wider

# Base Cabinets — Sitting Height

Sitting height cabinets are 28.75" high and 22.375" deep. Units are available in various widths as shown. Drawer units feature 100 lb. full extension slides as standard. If locks are required, use the suffix "LK". If a finished back is required use the suffix "FB".



## DRAWER CABINETS



30" and wider

Width	Item Number
30"	SB2930-060-SS
36"	SB2936-060-SS
42"	SB2942-060-SS
48"	SB2948-060-SS



30" and wider

Width	Item Number
30"	SB2930-044-SS
36"	SB2936-044-SS
42"	SB2942-044-SS
48"	SB2948-044-SS



30" and wider

Width	Item Number
30"	SB2930-040-SS
36"	SB2936-040-SS
42"	SB2942-040-SS
48"	SB2948-040-SS

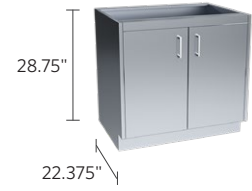


30" and wider

Width	Item Number
30"	SB2930-028-SS
36"	SB2936-028-SS
42"	SB2942-028-SS
48"	SB2948-028-SS

# Base Cabinets — Sitting Height

Sitting height cabinets are 28.75" high and 22.375" deep. Units are available in various widths as shown. No shelves are available in sitting height base cabinets with the combination of doors and drawers. Drawer units feature 100 lb. full extension slides as standard. Specify left or right-hinged doors using the suffix "L" or "R". If locks are required, use the suffix "LK". If a finished back is required use the suffix "FB".



Example: **SB2930-110R-LK** — Lock

Labels: Height, Doors, Half Drawers, Width, Drawers, Right Hinged

## DOOR & DRAWER CABINETS



Right-hinged door shown

Width	Left & Right Hinged
12"	SB2912-110L-SS
15"	SB2915-110L-SS
18"	SB2918-110L-SS
21"	SB2921-110L-SS
24"	SB2924-110L-SS
12"	SB2912-110R-SS
15"	SB2915-110R-SS
18"	SB2918-110R-SS
21"	SB2921-110R-SS
24"	SB2924-110R-SS



Right-hinged door shown

Width	Left & Right Hinged
12"	SB2912-102L-SS
15"	SB2915-102L-SS
18"	SB2918-102L-SS
21"	SB2921-102L-SS
24"	SB2924-102L-SS
12"	SB2912-102R-SS
15"	SB2915-102R-SS
18"	SB2918-102R-SS
21"	SB2921-102R-SS
24"	SB2924-102R-SS



30" and wider

Width	Item Number
30"	SB2930-220-SS
36"	SB2936-220-SS
42"	SB2942-220-SS
48"	SB2948-220-SS



30" and wider

Width	Item Number
30"	SB2930-212-SS
36"	SB2936-212-SS
42"	SB2942-212-SS
48"	SB2948-212-SS



30" and wider

Width	Item Number
30"	SB2930-204-SS
36"	SB2936-204-SS
42"	SB2942-204-SS
48"	SB2948-204-SS

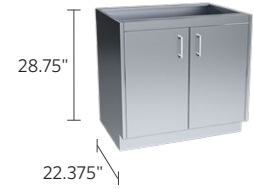


Right-hinged door shown

Width	Left & Right Hinged
30"	SB2930-132L-SS
36"	SB2936-132L-SS
42"	SB2942-132L-SS
48"	SB2948-132L-SS
30"	SB2930-132R-SS
36"	SB2936-132R-SS
42"	SB2942-132R-SS
48"	SB2948-132R-SS

# Base Cabinets — Sitting Height

Sitting height cabinets are 28.75" high and 22.375" deep. Units are available in various widths as shown. No shelves are available in sitting height base cabinets with the combination of doors and drawers. Drawer units feature 100 lb. full extension slides as standard. Door units feature single shelf as standard. Additional shelves are available. Specify left- or right-hinged doors using the suffix "L" or "R". If locks are required, use the suffix "LK". If a finished back is required use the suffix "FB".



## DOOR & DRAWER CABINETS



30" and wider

Width	Item Number
30"	SB2930-210-SS
36"	SB2936-210-SS
42"	SB2942-210-SS
48"	SB2948-210-SS



Right-hinged door shown

Width	Left & Right Hinged
30"	SB2930-210-AL-SS
36"	SB2936-210-AL-SS
42"	SB2942-210-AL-SS
48"	SB2948-210-AL-SS
30"	SB2930-210-AR-SS
36"	SB2936-210-AR-SS
42"	SB2942-210-AR-SS
48"	SB2948-210-AR-SS



30" and wider

Width	Item Number
30"	SB2930-202-A-SS
36"	SB2936-202-A-SS
42"	SB2942-202-A-SS
48"	SB2948-202-A-SS



Right-hinged door shown

Width	Left & Right Hinged
30"	SB2930-202L-SS
36"	SB2936-202L-SS
42"	SB2942-202L-SS
48"	SB2948-202L-SS
30"	SB2930-202R-SS
36"	SB2936-202R-SS
42"	SB2942-202R-SS
48"	SB2948-202R-SS



Right-hinged door shown

Width	Left & Right Hinged
30"	SB2930-130L-SS
36"	SB2936-130L-SS
42"	SB2942-130L-SS
48"	SB2948-130L-SS
30"	SB2930-130R-SS
36"	SB2936-130R-SS
42"	SB2942-130R-SS
48"	SB2948-130R-SS



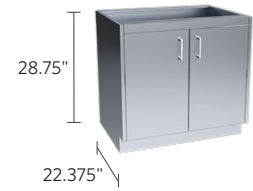
Right-hinged door shown

Width	Left & Right Hinged
30"	SB2930-130-AL-SS
36"	SB2936-130-AL-SS
42"	SB2942-130-AL-SS
48"	SB2948-130-AL-SS
30"	SB2930-130-AR-SS
36"	SB2936-130-AR-SS
42"	SB2942-130-AR-SS
48"	SB2948-130-AR-SS



# Base Cabinets — Sitting Height

Sitting height cabinets are 28.75" high and 22.375" deep. Units are available in various widths as shown. No shelves are available in sitting height base cabinets with the combination of doors and drawers. Drawer units feature 100 lb. full extension slides as standard. Door units feature single shelf as standard. Additional shelves are available. Specify left- or right-hinged doors using the suffix "L" or "R". If locks are required, use the suffix "LK". If a vertical divider is required between cup board and drawer section use the suffix "VD". If a finished back is required use the suffix "FB".



## DOOR & DRAWER CABINETS



Right-hinged door shown

Width	Left & Right Hinged
30"	SB2930-116L-SS
36"	SB2936-116L-SS
42"	SB2942-116L-SS
48"	SB2948-116L-SS
30"	SB2930-116R-SS
36"	SB2936-116R-SS
42"	SB2942-116R-SS
48"	SB2948-116R-SS



Right-hinged door shown

Width	Left & Right Hinged
30"	SB2930-116-AL-SS
36"	SB2936-116-AL-SS
42"	SB2942-116-AL-SS
48"	SB2948-116-AL-SS
30"	SB2930-116-AR-SS
36"	SB2936-116-AR-SS
42"	SB2942-116-AR-SS
48"	SB2948-116-AR-SS



Right-hinged door shown

Width	Left & Right Hinged
30"	SB2930-124L-SS
36"	SB2936-124L-SS
42"	SB2942-124L-SS
48"	SB2948-124L-SS
30"	SB2930-124R-SS
36"	SB2936-124R-SS
42"	SB2942-124R-SS
48"	SB2948-124R-SS



Right-hinged door shown

Width	Left & Right Hinged
30"	SB2930-124-AL-SS
36"	SB2936-124-AL-SS
42"	SB2942-124-AL-SS
48"	SB2948-124-AL-SS
30"	SB2930-124-AR-SS
36"	SB2936-124-AR-SS
42"	SB2942-124-AR-SS
48"	SB2948-124-AR-SS



Right-hinged door shown

Width	Left & Right Hinged
30"	SB2930-114L-SS
36"	SB2936-114L-SS
42"	SB2942-114L-SS
48"	SB2948-114L-SS
30"	SB2930-114R-SS
36"	SB2936-114R-SS
42"	SB2942-114R-SS
48"	SB2948-114R-SS



Right-hinged door shown

Width	Left & Right Hinged
30"	SB2930-108L-SS
36"	SB2936-108L-SS
42"	SB2942-108L-SS
48"	SB2948-108L-SS
30"	SB2930-108R-SS
36"	SB2936-108R-SS
42"	SB2942-108R-SS
48"	SB2948-108R-SS

## SINK & FUME HOOD CABINETS



Width	Left Hinged	Right Hinged
12"	SB2912-100-SL-SS	SB2912-100-SR-SS
15"	SB2915-100-SL-SS	SB2915-100-SR-SS
18"	SB2918-100-SL-SS	SB2918-100-SR-SS
21"	SB2921-100-SL-SS	SB2921-100-SR-SS
24"	SB2924-100-SL-SS	SB2924-100-SR-SS

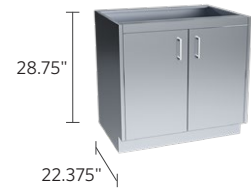


Width	Left Hinged	Right Hinged
12"	SB2912-100-SL-FHD-SS	SB2912-100-SR-FHD-SS
15"	SB2915-100-SL-FHD-SS	SB2915-100-SR-FHD-SS
18"	SB2918-100-SL-FHD-SS	SB2918-100-SR-FHD-SS
21"	SB2921-100-SL-FHD-SS	SB2921-100-SR-FHD-SS
24"	SB2924-100-SL-FHD-SS	SB2924-100-SR-FHD-SS

-FHD "Full Height Doors"

# Base Cabinets — Sitting Height

Sitting height cabinets are 28.75" high and 22.375" deep. Units are available in various widths as shown. Drawer units feature 100 lb. full extension slides as standard. Full height door units feature single shelf as standard. Additional shelves are available. Specify left- or right-hinged doors using the suffix "L" or "R". If locks are required, use the suffix "LK". If a finished back is required use the suffix "FB".



## SINK & FUME HOOD CABINETS



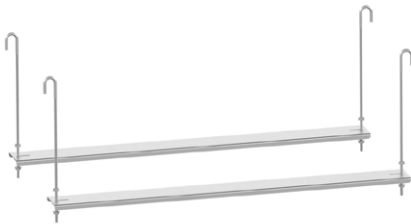
Width	Item Number
30"	SB2930-200-S-SS
36"	SB2936-200-S-SS
42"	SB2942-200-S-SS
48"	SB2948-200-S-SS

Add "-SV" for Vents



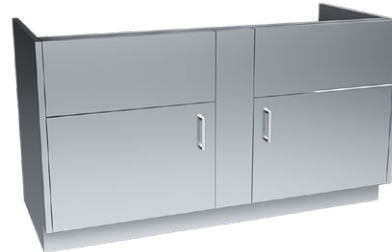
Width	Item Number
30"	SB2930-200-S-FHD-SS
36"	SB2936-200-S-FHD-SS
42"	SB2942-200-S-FHD-SS
48"	SB2948-200-S-FHD-SS

-FHD "Full Height Doors"

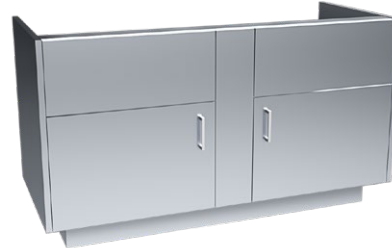


Sink Support Assembly

Item Number
SSS-C14
SSS-18
SSS-24
SSS-30
SSS-36
SSS-42
SSS-48
SSS-52
SSS-58



Width	Item Number
52"	SB2952-200-S-SS
58"	SB2958-200-S-SS



Width	Item Number
52"	SB2952-200-SI-SS
58"	SB2958-200-SI-SS

## CORNER CABINETS



Right-hinged door shown

Item Number
Left & Right Hinged
SC2914-100L-SS
SC2914-100R-SS

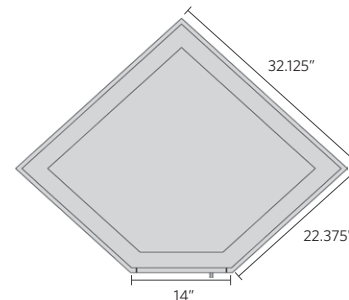
Lazy Susan Add-On Suffix "LS"



Right-hinged door shown

Left Hinged	Right Hinged
SC2914-100-SL-SS	SC2914-100-SR-SS

Left Hinged with Louvers	Right Hinged with Louvers
SC2914-100-SVL-SS	SC2914-100-SVR-SS



# Base Cabinets — ADA Height

ADA height cabinets are 31.75" high and 22.375" deep. Units are available in various widths as shown. Door units feature single shelf as standard. Additional shelves are available. Specify left- or right-hinged doors using the suffix "L" or "R". If locks are required, use the suffix "LK". If a finished back is required use the suffix "FB".



## OPEN CABINETS



Up to 24" wide

Width	Item Number
12"	SB3212-000-SS
15"	SB3215-000-SS
18"	SB3218-000-SS
21"	SB3221-000-SS
24"	SB3224-000-SS



30" and wider

Width	Item Number
30"	SB3230-000-SS
36"	SB3236-000-SS
42"	SB3242-000-SS
48"	SB3248-000-SS

## DOOR CABINETS



Right-hinged door shown

Width	Left & Right Hinged
12"	SB3212-100L-SS
15"	SB3215-100L-SS
18"	SB3218-100L-SS
21"	SB3221-100L-SS
24"	SB3224-100L-SS
12"	SB3212-100R-SS
15"	SB3215-100R-SS
18"	SB3218-100R-SS
21"	SB3221-100R-SS
24"	SB3224-100R-SS

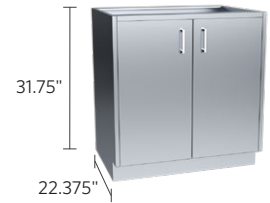


30" and wider

Width	Item Number
30"	SB3230-200-SS
36"	SB3236-200-SS
42"	SB3242-200-SS
48"	SB3248-200-SS

# Base Cabinets — ADA Height

ADA height cabinets are 31.75" high and 22.375" deep. Units are available in various widths as shown. Full height door units feature single shelf as standard. Additional shelves are available. Drawer units feature 100 lb. full extension slides as standard. If locks are required, use the suffix "LK". If a finished back is required use the suffix "FB".



## DRAWER CABINETS



Width	Item Number
12"	SB3212-031-SS
15"	SB3215-031-SS
18"	SB3218-031-SS
21"	SB3221-031-SS
24"	SB3224-031-SS

12" and wider



Width	Item Number
30"	SB3230-031-SS
36"	SB3236-031-SS
42"	SB3242-031-SS
48"	SB3248-031-SS

30" and wider



Width	Item Number
12"	SB3212-020-1F-SS
15"	SB3215-020-1F-SS
18"	SB3218-020-1F-SS
21"	SB3221-020-1F-SS
24"	SB3224-020-1F-SS

Up to 24" wide



Width	Item Number
30"	SB3230-040-2F-SS
36"	SB3236-040-2F-SS
42"	SB3242-040-2F-SS
48"	SB3248-040-2F-SS

30" and wider



Width	Item Number
15"	SB3215-012-1F-SS
18"	SB3218-012-1F-SS
21"	SB3221-012-1F-SS
24"	SB3224-012-1F-SS

Up to 24" wide



Width	Item Number
30"	SB3230-024-2F-SS
36"	SB3236-024-2F-SS
42"	SB3242-024-2F-SS
48"	SB3248-024-2F-SS

30" and wider

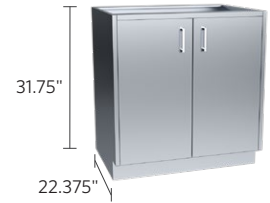


Width	Item Number
30"	SB3230-062-SS
36"	SB3236-062-SS
42"	SB3242-062-SS
48"	SB3248-062-SS

30" and wider

# Base Cabinets — ADA Height

ADA height cabinets are 31.75" high and 22.375" deep. Units are available in various widths as shown. Drawer units feature 100 lb. full extension slides as standard. Full height door units feature single shelf as standard. Additional shelves are available. Specify left- or right-hinged doors using the suffix "L" or "R". If locks are required, use the suffix "LK". If a finished back is required use the suffix "FB".



## DOOR & DRAWER CABINETS



Right-hinged door shown

Width	Left & Right Hinged
12"	SB3212-110L-SS
15"	SB3215-110L-SS
18"	SB3218-110L-SS
21"	SB3221-110L-SS
24"	SB3224-110L-SS
12"	SB3212-110R-SS
15"	SB3215-110R-SS
18"	SB3218-110R-SS
21"	SB3221-110R-SS
24"	SB3224-110R-SS



30" and wider

Width	Item Number
30"	SB3230-202-A-SS
36"	SB3236-202-A-SS
42"	SB3242-202-A-SS
48"	SB3248-202-A-SS



30" and wider

Width	Item Number
30"	SB3230-210-SS
36"	SB3236-210-SS
42"	SB3242-210-SS
48"	SB3248-210-SS



30" and wider

Width	Item Number
30"	SB3230-201-SS
36"	SB3236-201-SS
42"	SB3242-201-SS
48"	SB3248-201-SS



30" and wider

Width	Item Number
30"	SB3230-220-SS
36"	SB3236-220-SS
42"	SB3242-220-SS
48"	SB3248-220-SS



30" and wider

Width	Item Number
30"	SB3230-202-SS
36"	SB3236-202-SS
42"	SB3242-202-SS
48"	SB3248-202-SS

# Base Cabinets — ADA Height

ADA height cabinets are 31.75" high and 22.375" deep. Units are available in various widths as shown. Drawer units feature 100 lb. full extension slides as standard. Door units feature single shelf as standard. Additional shelves are available. Specify left- or right-hinged doors using the suffix "L" or "R". If locks are required, use the suffix "LK". If a finished back is required use the suffix "FB".



## CORNER CABINETS



Right-hinged door shown

Left Hinged	Right Hinged
SC3214-100L-LS-SS	SC3214-100R-LS-SS

Lazy Susan Add-On Suffix  
"LS"

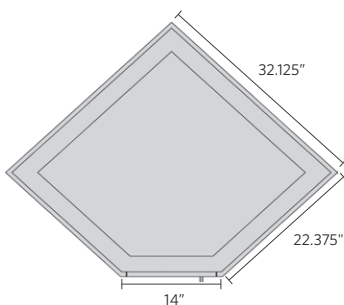
Left Hinged	Right Hinged
SC3214-100L-SS	SC3214-100R-SS



Right-hinged door shown

Left Hinged	Right Hinged
SC3214-100-SL-SS	SC3214-100-SR-SS

Left Hinged with Louvers	Right Hinged with Louvers
SC3214-100-SVL-SS	SC3214-100-SVR-SS



# Base Cabinets — ADA Height

ADA height cabinets are 31.75" high and 22.375" deep. Units are available in various widths as shown. Full height door units feature single shelf as standard. Additional shelves are available. Specify left- or right-hinged doors using the suffix "L" or "R". If locks are required, use the suffix "LK". If a finished back is required use the suffix "FB".



## SINK & FUME HOOD CABINETS



Right-hinged door shown  
Add "-SV(R/L)" for Vents

Width	Left & Right Hinged
12"	SB3212-100-SL-SS
15"	SB3215-100-SL-SS
18"	SB3218-100-SL-SS
21"	SB3221-100-SL-SS
24"	SB3224-100-SL-SS
12"	SB3224-100-SR-SS
15"	SB3224-100-SR-SS
18"	SB3224-100-SR-SS
21"	SB3221-100-SR-SS
24"	SB3224-100-SR-SS



Add "-SV" for Vents

Width	Item Number
30"	SB3230-200-S-SS
36"	SB3236-200-S-SS
42"	SB3242-200-S-SS
48"	SB3248-200-S-SS

Add "-SV" for Vents



-FHD "Full Height Doors"

Width	Left & Right Hinged
12"	SB3212-100-SL-FHD-SS
15"	SB3215-100-SL-FHD-SS
18"	SB3218-100-SL-FHD-SS
21"	SB3221-100-SL-FHD-SS
24"	SB3224-100-SL-FHD-SS
12"	SB3224-100-SR-FHD-SS
15"	SB3224-100-SR-FHD-SS
18"	SB3224-100-SR-FHD-SS
21"	SB3221-100-SR-FHD-SS
24"	SB3224-100-SR-FHD-SS



-FHD "Full Height Doors"

Width	Item Number
30"	SB3230-200-S-FHD-SS
36"	SB3236-200-S-FHD-SS
42"	SB3242-200-S-FHD-SS
48"	SB3248-200-S-FHD-SS

-FHD "Full Height Doors"



Width	Item Number
52"	SB3252-200-S-SS
58"	SB3258-200-S-SS



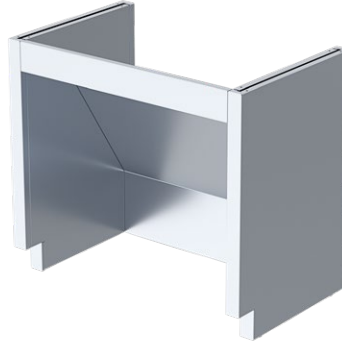
Width	Item Number
52"	SB3252-200-SI-SS
58"	SB3258-200-SI-SS

# Base Cabinets — ADA Height

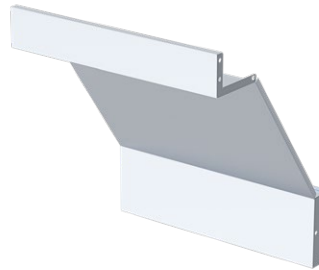
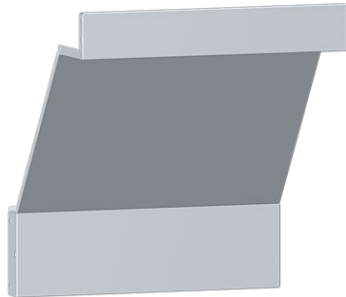
ADA height cabinets are 31.75" high and 22.375" deep. Units are available in various widths as shown. Drawer units feature 100 lb. full extension slides as standard. Door units feature single shelf as standard. Additional shelves are available. Specify left- or right-hinged doors using the suffix "L" or "R". If locks are required, use the suffix "LK". If a finished back is required use the suffix "FB".



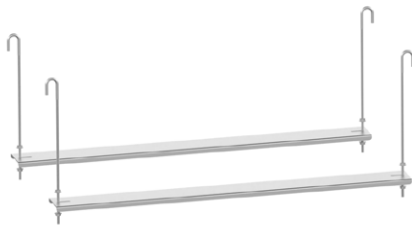
## SINK & FUME HOOD CABINETS



Width	Item Number
36"	SADAKSC36-SS
42"	SADAKSC42-SS
48"	SADAKSC48-SS



Width	Item Number
30"	SADAKSP30-SS
36"	SADAKSP36-SS
42"	SADAKSP42-SS
48"	SADAKSP48-SS



Sink Support Assembly

Item Number
SSS-C14
SSS-18
SSS-24
SSS-30
SSS-36
SSS-42
SSS-48
SSS-52
SSS-58

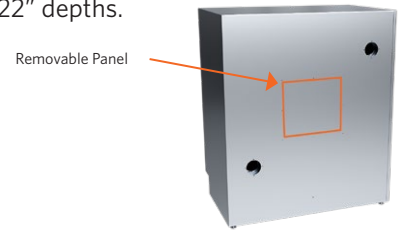


# Base Cabinets — Corrosives, Bases, Oxidizers

Corrosives storage cabinets are reinforced steel with a hi-tech performance polymer alloy coating, which provides 100% coverage against corrosion. Cabinets are available in 18" and 22" depths.

Example: **SASB3518-22R-VK** — Vent Kit

Height | Depth  
 Width | Right Hinged



## CORROSIVES STORAGE CABINETS



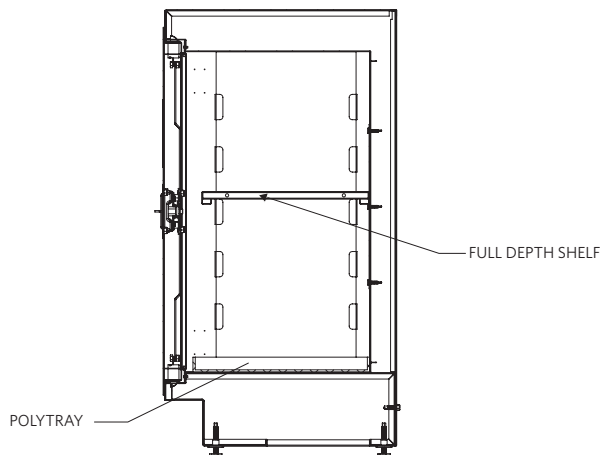
SASB3524-18-SS



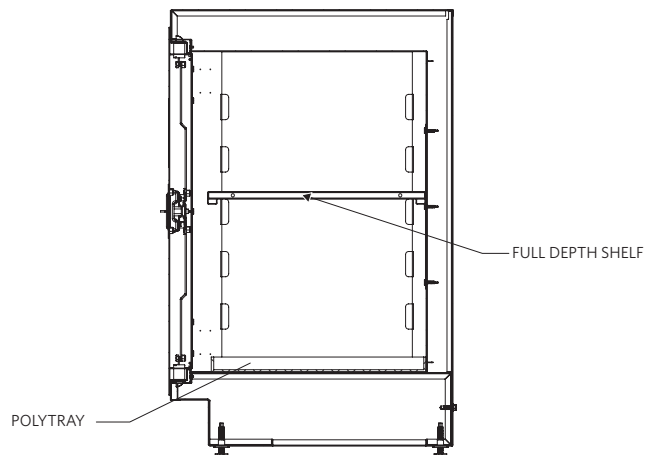
SASB3530-18-SS

Width	Sitting Height	ADA Height	Standing Height
18"	SASB2918-18-SS	SASB3218-18-SS	SASB3518-18-SS
24"	SASB2924-18-SS	SASB3224-18-SS	SASB3524-18-SS
30"	SASB2930-18-SS	SASB3230-18-SS	SASB3530-18-SS
36"	SASB2936-18-SS	SASB3236-18-SS	SASB3536-18-SS
42"	SASB2942-18-SS	SASB3242-18-SS	SASB3542-18-SS
48"	SASB2948-18-SS	SASB3248-18-SS	SASB3548-18-SS

Width	Sitting Height	ADA Height	Standing Height
18"	SASB2918-22-SS	SASB3218-22-SS	SASB3518-22-SS
24"	SASB2924-22-SS	SASB3224-22-SS	SASB3524-22-SS
30"	SASB2930-22-SS	SASB3230-22-SS	SASB3530-22-SS
36"	SASB2936-22-SS	SASB3236-22-SS	SASB3536-22-SS
42"	SASB2942-22-SS	SASB3242-22-SS	SASB3542-22-SS
48"	SASB2948-22-SS	SASB3248-22-SS	SASB3548-22-SS



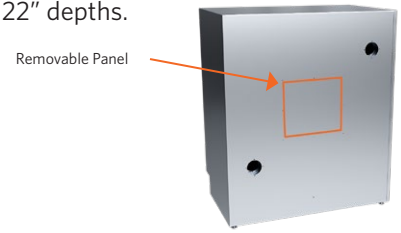
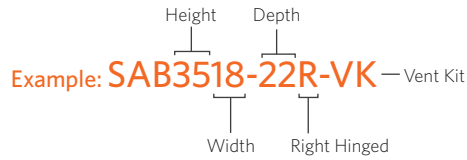
18-3/8" ACTUAL DEPTH



22-3/8" ACTUAL DEPTH

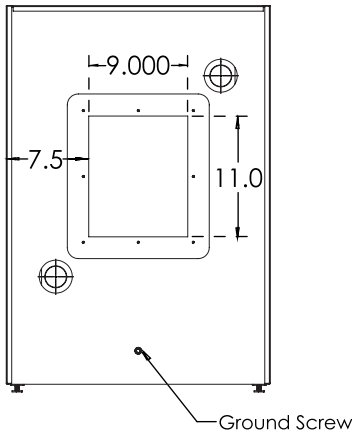
# Base Cabinets — Corrosives, Bases, Oxidizers

Corrosives storage cabinets are reinforced steel with a hi-tech performance polymer alloy coating, which provides 100% coverage against corrosion. Cabinets are available in 18" and 22" depths.

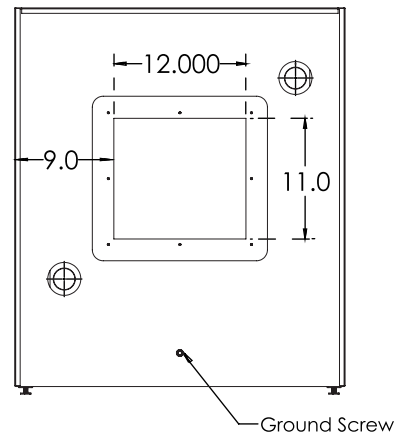


## CORROSIVES STORAGE CABINETS

24" Wide (1 DOOR)



30" Wide (2 DOOR)



SASBM2930-22-SS

Mobile cabinets are available. Please contact your AMS representative.

## OXIDIZERS

For more information regarding our Oxidizer cabinets, please contact your AMS representative.

Width	Sitting Height	ADA Height	Standing Height
18"	SASBM2918-18-SS	SASBM3218-18-SS	SASBM3518-18-SS
24"	SASBM2924-18-SS	SASBM3224-18-SS	SASBM3524-18-SS
30"	SASBM2930-18-SS	SASBM3230-18-SS	SASBM3530-18-SS
36"	SASBM2936-18-SS	SASBM3236-18-SS	SASBM3536-18-SS
42"	SASBM2942-18-SS	SASBM3242-18-SS	SASBM3542-18-SS
48"	SASBM2948-18-SS	SASBM3248-18-SS	SASBM3548-18-SS

Width	Sitting Height	ADA Height	Standing Height
18"	SASBM2918-22-SS	SASBM3218-22-SS	SASBM3518-22-SS
24"	SASBM2924-22-SS	SASBM3224-22-SS	SASBM3524-22-SS
30"	SASBM2930-22-SS	SASBM3230-22-SS	SASBM3530-22-SS
36"	SASBM2936-22-SS	SASBM3236-22-SS	SASBM3536-22-SS
42"	SASBM2942-22-SS	SASBM3242-22-SS	SASBM3542-22-SS
48"	SASBM2948-22-SS	SASBM3248-22-SS	SASBM3548-22-SS

When ordering 18" or 24" wide cabinets please place suffix "L" left or "R" right, after the part number for the hinge placement.

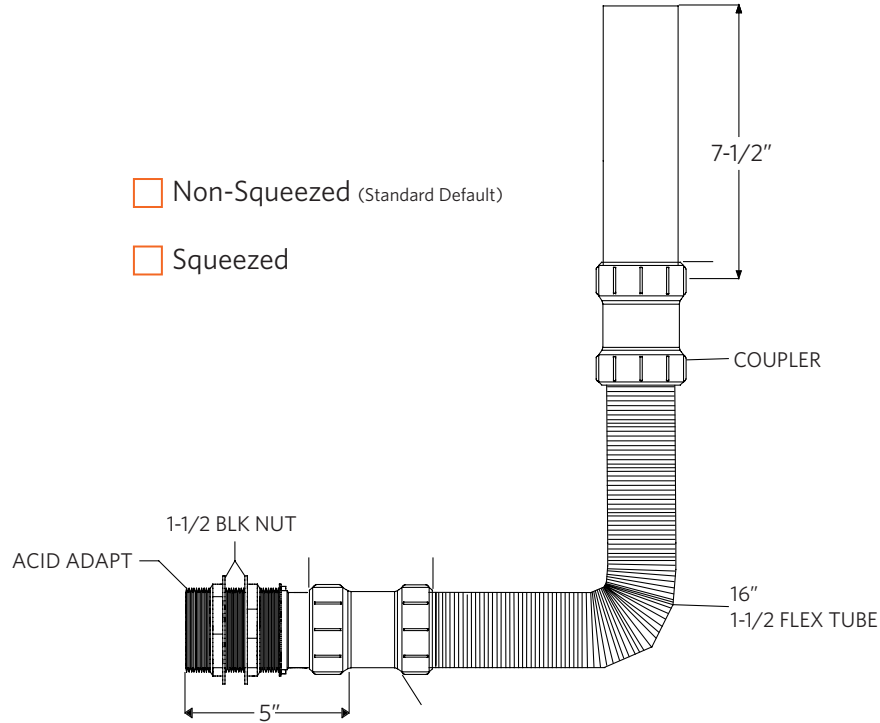
If a Vent Kit is required, use the suffix "VK".

**Note:** AMS recommends vent kits for all corrosives cabinets. Acids and bases should not be stored in the same cabinet.

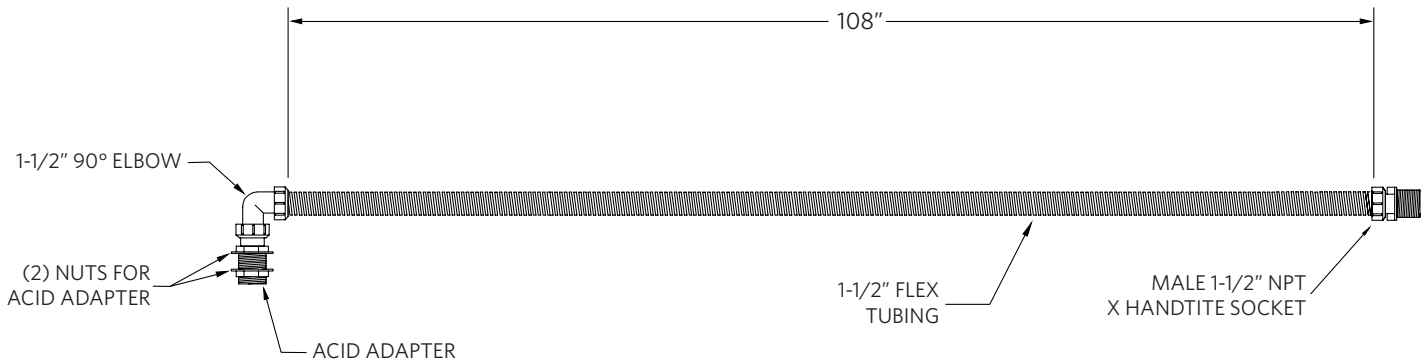
# Corrosive - Vent Kit

Vent systems shall be manufactured from polyolefin resin and shall conform to ASTM #1412-92 for corrosion resistance and material content. The vent system will contain no PVC or solvents used for assembly. Vent may be constructed using rigid or flexible pipe as required. Vents will be manufactured by Scientific Plastics, Inc. of Kansas City, KS, USA.

## 403100-VENT KIT

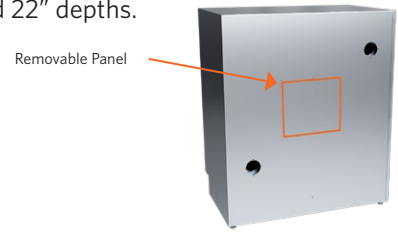


## 403100-VENT KIT-L



# Base Cabinets — Flammables

Flammable storage cabinets are reinforced steel with a hi-tech performance polymer alloy coating, which provides 100% coverage against corrosion. Cabinets are available in 18" and 22" depths. All cabinets have 3 point locking systems.



## FLAMMABLES STORAGE CABINETS



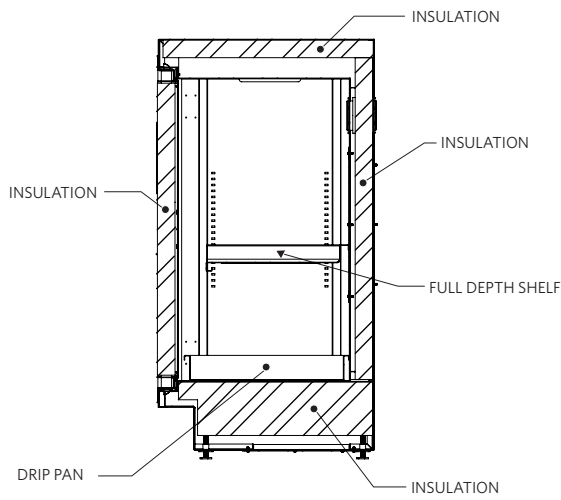
SFSB2924-18-SS



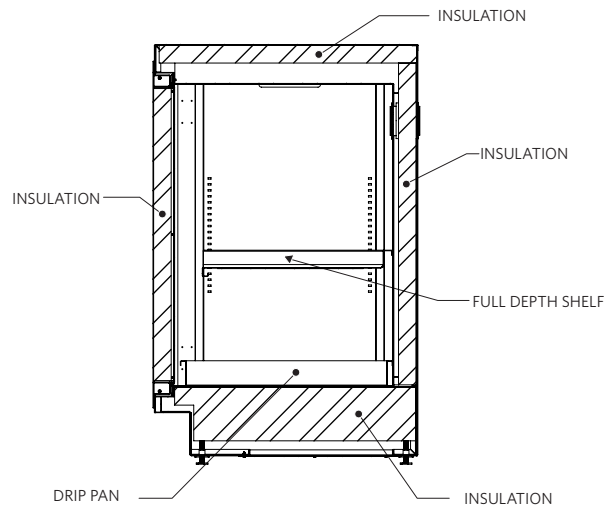
SFSB2930-18-SS

Width	Sitting Height	ADA Height	Standing Height
24"	SFSB2924-18-SS	SFSB3224-18-SS	SFSB3524-18-SS
30"	SFSB2930-18-SS	SFSB3230-18-SS	SFSB3530-18-SS
36"	SFSB2936-18-SS	SFSB3236-18-SS	SFSB3536-18-SS
42"	SFSB2942-18-SS	SFSB3242-18-SS	SFSB3542-18-SS
48"	SFSB2948-18-SS	SFSB3248-18-SS	SFSB3548-18-SS

Width	Sitting Height	ADA Height	Standing Height
24"	SFSB2924-22-SS	SFSB3224-22-SS	SFSB3524-22-SS
30"	SFSB2930-22-SS	SFSB3230-22-SS	SFSB3530-22-SS
36"	SFSB2936-22-SS	SFSB3236-22-SS	SFSB3536-22-SS
42"	SFSB2942-22-SS	SFSB3242-22-SS	SFSB3542-22-SS
48"	SFSB2948-22-SS	SFSB3248-22-SS	SFSB3548-22-SS



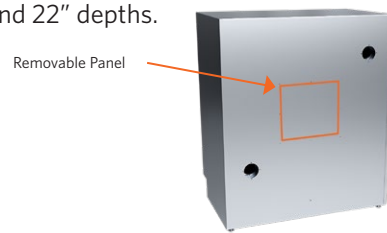
**18-3/8" ACTUAL DEPTH**



**22 3/8" ACTUAL DEPTH**

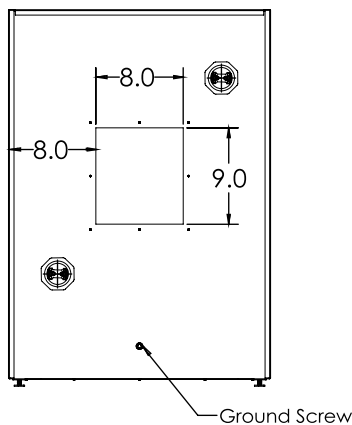
# Base Cabinets — Flammables

Flammable storage cabinets are reinforced steel with a hi-tech performance polymer alloy coating, which provides 100% coverage against corrosion. Cabinets are available in 18" and 22" depths. All cabinets have 3 point locking systems.

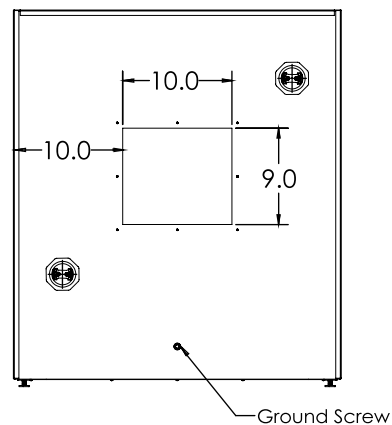


## FLAMMABLES STORAGE CABINETS

24" Wide (1 DOOR)



30" Wide (2 DOOR)



SFSBM3530-18-SS

Mobile cabinets are available. Please contact your AMS representative.

Width	Sitting Height	ADA Height	Standing Height
24"	SFSBM2924-18-SS	SFSBM3224-18-SS	SFSBM3524-18-SS
30"	SFSBM2930-18-SS	SFSBM3230-18-SS	SFSBM3530-18-SS
36"	SFSBM2936-18-SS	SFSBM3236-18-SS	SFSBM3536-18-SS
42"	SFSBM2942-18-SS	SFSBM3242-18-SS	SFSBM3542-18-SS
48"	SFSBM2948-18-SS	SFSBM3248-18-SS	SFSBM3548-18-SS

Width	Sitting Height	ADA Height	Standing Height
24"	SFSBM2924-22-SS	SFSBM3224-22-SS	SFSBM3524-22-SS
30"	SFSBM2930-22-SS	SFSBM3230-22-SS	SFSBM3530-22-SS
36"	SFSBM2936-22-SS	SFSBM3236-22-SS	SFSBM3536-22-SS
42"	SFSBM2942-22-SS	SFSBM3242-22-SS	SFSBM3542-22-SS
48"	SFSBM2948-22-SS	SFSBM3248-22-SS	SFSBM3548-22-SS

Flammables storage cabinets are certified to meet NFPA 45 and are UL listed. Cabinets are available in 18" and 22" depths. For 22" depth, add suffix "-22" to the part number. For synchronized self-closing doors add "-SCC" to the part number.

\*Cabinets with self-closing doors are constructed to the UL1275 standards, but cannot have a UL label

# Vacuum Pump Cabinets

Vacuum Pump Cabinets come with a Polydamp Melamine Foam that has heat resistance and sound dampening qualities. This is applied to the inside of the cabinet. (Please note actual cabinet depth with finished back will be 22.875" and 18.875").



Width	Item Number
15"	SB3515-10V-SS
18"	SB3518-10V-SS
21"	SB3521-10V-SS
24"	SB3524-10V-SS

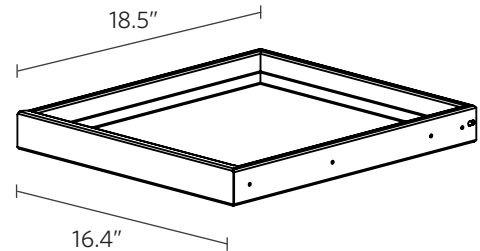
When ordering 18" or 24" wide cabinets please place suffix "L" left or "R" right, after the part number for the hinge placement.

**Attention:** All of these units are shipped with a loose unassembled junction box, switch and wiring. These are to be installed by your certified electrician.



Width	Item Number
30"	SB2930-20V-18-SS
36"	SB2936-20V-18-SS
42"	SB2942-20V-18-SS
48"	SB2948-20V-18-SS

Pullout Shelf Dimensions for a SB3524-10V-22:



Width	Item Number
30"	SB2930-20V-SS
36"	SB2936-20V-SS
42"	SB2942-20V-SS
48"	SB2948-20V-SS



Width	Item Number
30"	SB3230-20V-18-SS
36"	SB3236-20V-18-SS
42"	SB3242-20V-18-SS
48"	SB3248-20V-18-SS

Full Cabinet Width	Pullout Shelf Width
15"	7.4"
18"	10.4"
21"	13.4"
24"	16.4"
30"	22.4"
36"	28.4"
42"	34.4"
48"	40.4"

Width	Item Number
30"	SB3230-20V-SS
36"	SB3236-20V-SS
42"	SB3242-20V-SS
48"	SB3248-20V-SS

Full Cabinet Depth	Pullout Shelf Depth
18"	14.5"
22"	18.5"



Width	Item Number
30"	SB3530-20V-18-SS
36"	SB3536-20V-18-SS
42"	SB3542-20V-18-SS
48"	SB3548-20V-18-SS

Width	Item Number
30"	SB3530-20V-SS
36"	SB3536-20V-SS
42"	SB3542-20V-SS
48"	SB3548-20V-SS

# Vacuum Pump Cabinets

Vacuum Pump Cabinets come with a Polydamp Melamine Foam that has heat resistance and sound dampening qualities. This is applied to the inside of the cabinet. (Please note actual cabinet depth with finished back will be 22.875" and 18.875").



**Attention:** These units are shipped with a loose unassembled junction box, switch and wiring. These are to be installed by your certified electrician.

These units include the cart pictured as part of the unit price. Vent pipe is not included.

Width	Item Number
30"	SB2930-20V-18-NB-SS
36"	SB2936-20V-18-NB-SS
42"	SB2942-20V-18-NB-SS
48"	SB2948-20V-18-NB-SS

Width	Item Number
30"	SB2930-20V-NB-SS
36"	SB2936-20V-NB-SS
42"	SB2942-20V-NB-SS
48"	SB2948-20V-NB-SS

Width	Item Number
30"	SB3230-20V-18-NB-SS
36"	SB3236-20V-18-NB-SS
42"	SB3242-20V-18-NB-SS
48"	SB3248-20V-18-NB-SS

Width	Item Number
30"	SB3230-20V-NB-SS
36"	SB3236-20V-NB-SS
42"	SB3242-20V-NB-SS
48"	SB3248-20V-NB-SS

Width	Item Number
30"	SB3530-20V-18-NB-SS
36"	SB3536-20V-18-NB-SS
42"	SB3542-20V-18-NB-SS
48"	SB3548-20V-18-NB-SS

Width	Item Number
30"	SB3530-20V-NB-SS
36"	SB3536-20V-NB-SS
42"	SB3542-20V-NB-SS
48"	SB3548-20V-NB-SS



Width	Item Number
24"	MOBILE-CART-24-SS
36"	MOBILE-CART-36-SS

(Standard depth of 22")  
\*Actual Depth of cart: 17.186"

Width	Item Number
24"	MOBILE-CART-24-18-SS
36"	MOBILE-CART-36-18-SS

(Suffix 18 represents 18" depth)  
\*Actual Depth of cart: 13.186"

# Mobile Cabinets

All AMS cabinets are available in a mobile version including low profile (27.18" high), sitting height (28.75" high), ADA height (31.75" high), and standing height (34.75" high). They come standard with a finished back and optional finished top. To specify a mobile cabinet use the prefix "M" to the base cabinet model number (example: SMB2724-110). They come standard with a 3" wheel caster. There is no height changes to the cabinets when replaced toe kicks with casters. 2" casters are available by adding the suffix "-2" to the part number. Cabinet depth with finished back is 22.812". All mobile cabinets with drawers come standard with a tip resistant counter weight.

**Tops:** Please add the suffix "T" for steel, "E" for epoxy, "P" for phenolic. All tops are 3/4" thick and with a 7/8" overhang on front only.  
(example SMB2724-110L-T)





# Mobile Cabinets

Standing height mobile cabinets are 34.75" high and 22.375" deep. Units are available in various widths. Each example below is available in the standard four heights shown on the left. Door units feature a single shelf as standard for standing height cabinets. All open units have 2 shelves. Additional shelves are available. Specify left- or right-hinged doors using the suffix "L" or "R". If locks are required use the suffix "LK".



## DOOR & DRAWER CABINETS



Width	Item Number
12"	SMB3512-100R-SS
15"	SMB3515-100R-SS
18"	SMB3518-100R-SS
21"	SMB3521-100R-SS
24"	SMB3524-100R-SS
12"	SMB3512-100L-SS
15"	SMB3515-100L-SS
18"	SMB3518-100L-SS
21"	SMB3521-100L-SS
24"	SMB3524-100L-SS



Width	Item Number
30"	SMB3530-200-SS
36"	SMB3536-200-SS
42"	SMB3542-200-SS
48"	SMB3548-200-SS



Width	Left & Right Hinged
12"	SMB3512-110L-SS
15"	SMB3515-110L-SS
18"	SMB3518-110L-SS
21"	SMB3521-110L-SS
24"	SMB3524-110L-SS
12"	SMB3512-110R-SS
15"	SMB3515-110R-SS
18"	SMB3518-110R-SS
21"	SMB3521-110R-SS
24"	SMB3524-110R-SS

Note: L(left) or R(right) refers to door hinge side.



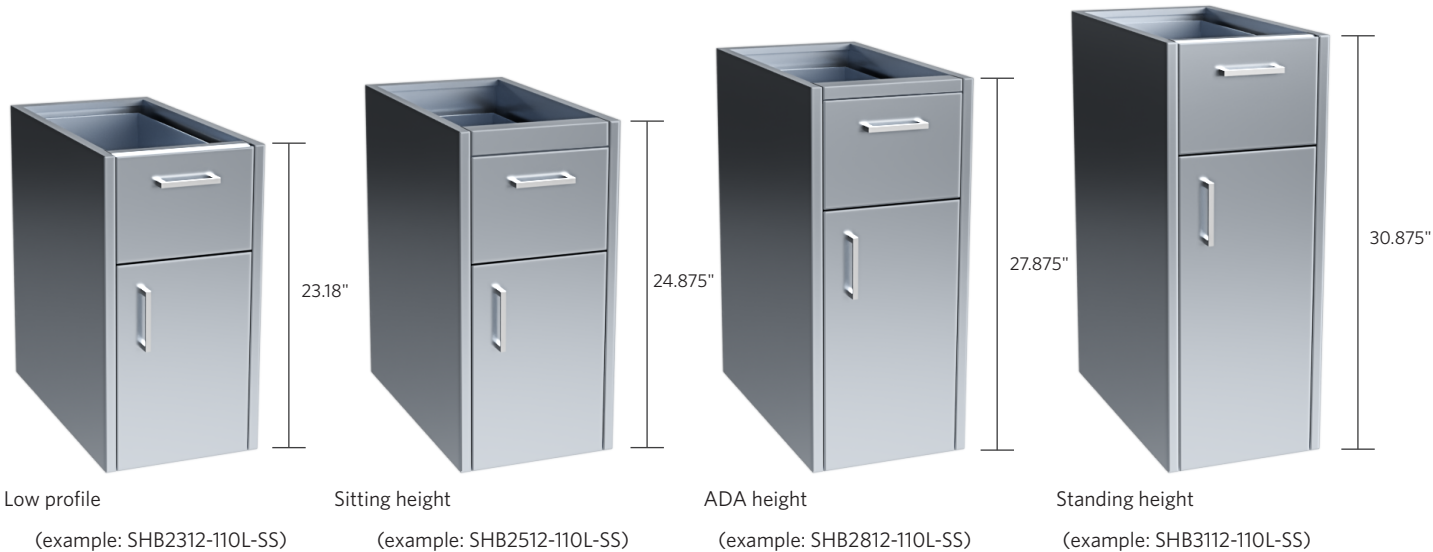
Width	Item Number
30"	SMB3530-220-SS
36"	SMB3536-220-SS
42"	SMB3542-220-SS
48"	SMB3548-220-SS



Width	Item Number
30"	SMB3530-210-SS
36"	SMB3536-210-SS
42"	SMB3542-210-SS
48"	SMB3548-210-SS

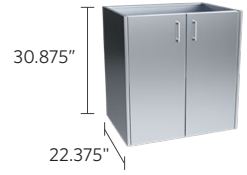
# Suspended Cabinets

All AMS cabinets are available in a suspended version including low profile (23.18" high), sitting height (24.875" high), ADA height (27.875" high), and standing height (30.875" high). To specify a suspended cabinet use the prefix "H" to the base cabinet model number (example: SHB2324-110). Finished backs are optional and can be specified with the suffix "-FB". Low profile cabinets should be used for adjustable height work benches or table frames on casters to allow the caster to swivel if the adjustable leg is positioned in the lowest setting.



# Suspended Cabinets

Standing height suspended cabinets are 30.875" high and 22.375" deep. Units are available in various widths. Each example below is available in the standard four heights shown on the left. Door units feature a single shelf as standard for standard height cabinets. All open units have 2 shelves. Additional shelves are available. Specify left- or right-hinged doors using the suffix "L" or "R". If locks are required use the suffix "LK". If a finished back is required use the suffix "FB".



## DOOR & DRAWER CABINETS



Width	Item Number
12"	SHB3112-100R-SS
15"	SHB3115-100R-SS
18"	SHB3118-100R-SS
21"	SHB3121-100R-SS
24"	SHB3124-100R-SS
12"	SHB3112-100L-SS
15"	SHB3115-100L-SS
18"	SHB3118-100L-SS
21"	SHB3121-100L-SS
24"	SHB3124-100L-SS



Width	Item Number
30"	SHB3130-200-SS
36"	SHB3136-200-SS
42"	SHB3542-200-SS
48"	SHB3148-200-SS



Width	Left & Right Hinged
12"	SHB3112-110L-SS
15"	SHB3115-110L-SS
18"	SHB3118-110L-SS
21"	SHB3121-110L-SS
24"	SHB3124-110L-SS
12"	SHB3112-110R-SS
15"	SHB3115-110R-SS
18"	SHB3118-110R-SS
21"	SHB3121-110R-SS
24"	SHB3124-110R-SS

Note: L(left) or R(right) refers to door hinge side.



Width	Item Number
30"	SHB3130-220-SS
36"	SHB3136-220-SS
42"	SHB3142-220-SS
48"	SHB3148-220-SS

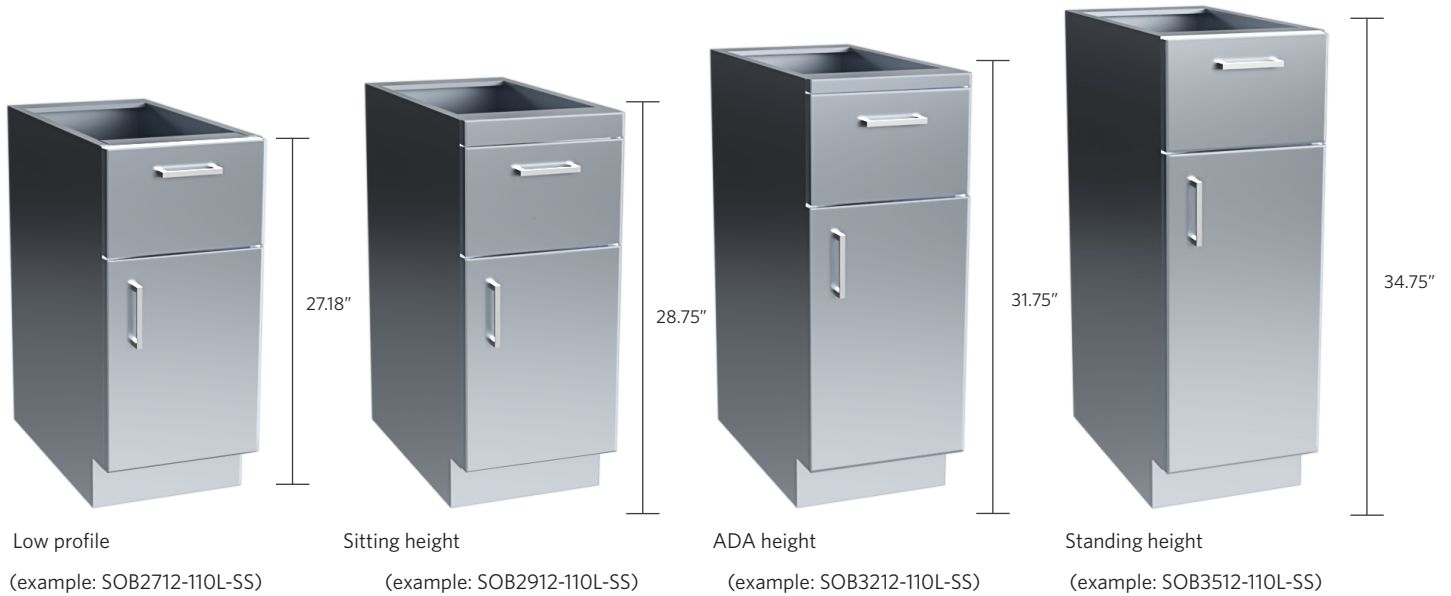


Width	Item Number
30"	SHB3130-210-SS
36"	SHB3136-210-SS
42"	SHB3142-210-SS
48"	SHB3148-210-SS

# Overlay Cabinets

All AMS base cabinets are available in an overlay version including low profile (27.18" high), sitting height (28.75" high), ADA height (31.75" high), and standing height (34.75" high). To specify an overlay cabinet, use the prefix "O" to the base cabinet model number (example: SOB2724-110). Overlay cabinets are also available in mobile and suspended variations.

**Tops:** Please add the suffix "T" for steel, "E" for epoxy, "P" for phenolic. All tops are 3/4" thick and with a 7/8" overhang on front only.  
(example SOB2724-110L-T)



# Overlay Cabinets

Standing height overlay base cabinets are 34.75" high and 23.248" deep (Including doors and drawers depth). Units are available in various widths. Each example below is available in the standard four heights shown on the left. Door units feature a single shelf as standard. All open units have 2 shelves. Additional shelves are available. Specify left- or right-hinged doors using the suffix "L" or "R". If locks are required use the suffix "LK".



## DOOR & DRAWER CABINETS



Width	Item Number
12"	SOB3512-100R-SS
15"	SOB3515-100R-SS
18"	SOB3518-100R-SS
21"	SOB3521-100R-SS
24"	SOB3524-100R-SS
12"	SOB3512-100L-SS
15"	SOB3515-100L-SS
18"	SOB3518-100L-SS
21"	SOB3521-100L-SS
24"	SOB3524-100L-SS



Width	Item Number
30"	SOB3530-200-SS
36"	SOB3536-200-SS
42"	SOB3542-200-SS
48"	SOB3548-200-SS



Width	Left & Right Hinged
12"	SOB3512-110L-SS
15"	SOB3515-110L-SS
18"	SOB3518-110L-SS
21"	SOB3521-110L-SS
24"	SOB3524-110L-SS
12"	SOB3512-110R-SS
15"	SOB3515-110R-SS
18"	SOB3518-110R-SS
21"	SOB3521-110R-SS
24"	SOB3524-110R-SS

Note: L(left) or R(right) refers to door hinge side.



Width	Item Number
30"	SOB3530-220-SS
36"	SOB3536-220-SS
42"	SOB3542-220-SS
48"	SOB3548-220-SS



Width	Item Number
30"	SOB3530-210-SS
36"	SOB3536-210-SS
42"	SOB3542-210-SS
48"	SOB3548-210-SS

# Tall Cabinets

Tall cabinets are 84" high and available in 16", 18", 21" and 24" deep by using the two digit suffix. Suffix is not needed when selecting 16" deep. Units are available in various widths as shown. Door units feature five shelves as standard. Additional shelves are available. Specify left- or right-hinged doors using the suffix "L" or "R" after the two digit depth number. If locks are required use the suffix "LK".

Wardrobe cabinets are available by adding the suffix "W" to any of the standard part numbers. They will include one hanging bar in lieu of shelves.



## OPEN CABINETS



Up to 24" wide

Width	Item Number
18"	SF8418-000-SS
24"	SF8424-000-SS



30" and wider

Width	Item Number
30"	SF8430-000-SS
36"	SF8436-000-SS
42"	SF8442-000-SS
48"	SF8448-000-SS

## DOOR CABINETS



Right-hinged door shown

Width	Left & Right Hinged
18"	SF8418-1SHL-SS
24"	SF8424-1SHL-SS
18"	SF8418-1SHR-SS
24"	SF8424-1SHR-SS



Width	Item Number
30"	SF8430-2SH-SS
36"	SF8436-2SH-SS
42"	SF8442-2SH-SS
48"	SF8448-2SH-SS



Width	Item Number
30"	SF8430-2SS-SS
36"	SF8436-2SS-SS
42"	SF8442-2SS-SS
48"	SF8448-2SS-SS

(this unit has sliding doors)



Width	Item Number
30"	SF8430-4SH-SS
36"	SF8436-4SH-SS
42"	SF8442-4SH-SS
48"	SF8448-4SH-SS

# Tall Cabinets

Tall cabinets are 84" high and available in 16", 18", 21" and 24" deep by using the two digit suffix. Suffix is not needed when selecting 16" deep. Units are available in various widths as shown. Door units feature five shelves as standard. Additional shelves are available. Specify left- or right-hinged doors using the suffix "L" or "R" after the two digit depth number. If locks are required use the suffix "LK".

Wardrobe cabinets are available by adding the suffix "W" to any of the standard part numbers. They will include one hanging bar in lieu of shelves. For pull out shelves add the suffix "PS".



## DOOR CABINETS



Width	Left & Right Hinged
18"	SF8418-1GHL-SS
24"	SF8424-1GHL-SS
18"	SF8418-1GHR-SS
24"	SF8424-1GHR-SS



Width	Item Number
30"	SF8430-2GH-SS
36"	SF8436-2GH-SS
42"	SF8442-2GH-SS
48"	SF8448-2GH-SS

Right-hinged door shown



Width	Item Number
30"	SF8430-2GSF-SS
36"	SF8436-2GSF-SS
42"	SF8442-2GSF-SS
48"	SF8448-2GSF-SS

(this unit has sliding doors)



Width	Item Number
30"	SF8430-4GH-SS
36"	SF8436-4GH-SS
42"	SF8442-4GH-SS
48"	SF8448-4GH-SS



Width	Item Number
30"	SF8430-2GH2SH-SS
36"	SF8436-2GH2SH-SS
42"	SF8442-2GH2SH-SS
48"	SF8448-2GH2SH-SS



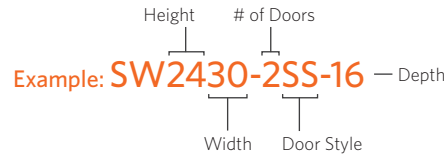
Pull out shelves are available upon request.

# Wall Cabinets — 24" Height

Wall cabinets are available in 24", 30", 36" and 48" heights and come standard with a 13" depth. For 16" deep cabinets, use the suffix "16". Units are available in various widths as shown. They feature one shelf as standard for 24" units. Specify left- or right-hinged doors using the suffix "L" "R" after the two digit depth number. If locks are required, use the suffix "LK".



13" D

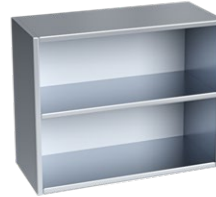


## OPEN CABINETS



Up to 24" wide

Width	Item Number
18"	SW2418-000-SS
24"	SW2424-000-SS



30" and wider

Width	Item Number
30"	SW2430-000-SS
36"	SW2436-000-SS
42"	SW2442-000-SS
48"	SW2448-000-SS

## STEEL-HINGED DOOR CABINETS



Right-hinged door shown

Width	Left & Right Hinged
18"	SW2418-1SHL-SS
24"	SW2424-1SHL-SS
18"	SW2418-1SHR-SS
24"	SW2424-1SHR-SS



30" and wider

Width	Item Number
30"	SW2430-2SH-SS
36"	SW2436-2SH-SS
42"	SW2442-2SH-SS
48"	SW2448-2SH-SS

## STEEL SLIDING DOOR CABINETS



30" and wider

Width	Item Number
30"	SW2430-2SS-SS
36"	SW2436-2SS-SS
42"	SW2442-2SS-SS
48"	SW2448-2SS-SS

## CORNER CABINETS



Item Number
SWC2418-000-SS

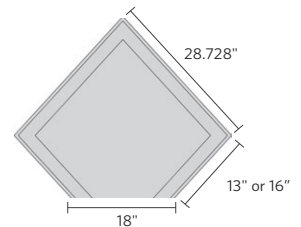


Left Hinged	Right Hinged
SWC2418-1SHL-SS	SWC2418-1SHR-SS

Right-hinged door shown



Left Hinged	Right Hinged
SWC2418-1GHL-SS	SWC2418-1GHR-SS



\*Lazy Susan Add-On  
Suffix "LS"

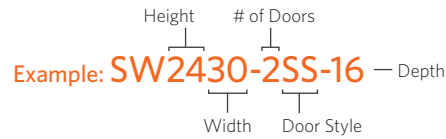


# Wall Cabinets — 24" Height

Wall cabinets are available in 24", 30", 36" and 48" heights and come standard with a 13" depth. For 16" deep cabinets, use the suffix "16". Units are available in various widths as shown. They feature one shelf as standard for 24" units. Specify left- or right-hinged doors using the suffix "L" "R" after the two digit depth number. If locks are required, use the suffix "LK".



13" Depth



## FRAMED GLASS HINGED DOOR CABINETS



Right-hinged door shown

Width	Left & Right Hinged
18"	SW2418-1GHL-SS
24"	SW2424-1GHL-SS
18"	SW2418-1GHR-SS
24"	SW2424-1GHR-SS



30" and wider

Width	Item Number
30"	SW2430-2GH-SS
36"	SW2436-2GH-SS
42"	SW2442-2GH-SS
48"	SW2448-2GH-SS

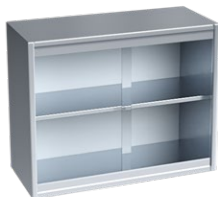
## FRAMED GLASS SLIDING DOOR CABINETS



30" and wider

Width	Item Number
30"	SW2430-2GSF-SS
36"	SW2436-2GSF-SS
42"	SW2442-2GSF-SS
48"	SW2448-2GSF-SS

## GLASS SLIDING DOOR CABINETS

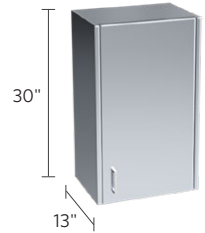


30" and wider

Width	Item Number
30"	SW2430-2GS-SS
36"	SW2436-2GS-SS
42"	SW2442-2GS-SS
48"	SW2448-2GS-SS

# Wall Cabinets — 30" Height

Wall cabinets are available in 24", 30", 36" and 48" heights and come standard with a 13" depth. For 16" deep cabinets, use the suffix "16". Units are available in various widths as shown. They feature two shelves as standard for 30" units. Specify left- or right-hinged doors using the suffix "L" or "R" after the two digit depth number. If locks are required, use the suffix "LK".



Example: **SW3030-2SS-16**

Height: 30", # of Doors: 2, Door Style: SS, Depth: 16", Width: 30"

## OPEN CABINETS



Width	Item Number
18"	SW3018-000-SS
24"	SW3024-000-SS

Up to 24" wide



30" and wider

Width	Item Number
30"	SW3030-000-SS
36"	SW3036-000-SS
42"	SW3042-000-SS
48"	SW3048-000-SS

## STEEL-HINGED DOOR CABINETS



Right-hinged door shown

Width	Left & Right Hinged
18"	SW3018-1SHL-SS
24"	SW3024-1SHL-SS
18"	SW3018-1SHR-SS
24"	SW3024-1SHR-SS



30" and wider

Width	Item Number
30"	SW3030-2SH-SS
36"	SW3036-2SH-SS
42"	SW3042-2SH-SS
48"	SW3048-2SH-SS

## STEEL SLIDING DOOR CABINETS



30" and wider

Width	Item Number
30"	SW3030-2SS-SS
36"	SW3036-2SS-SS
42"	SW3042-2SS-SS
48"	SW3048-2SS-SS

## CORNER CABINETS



Item Number
SWC3018-000-SS



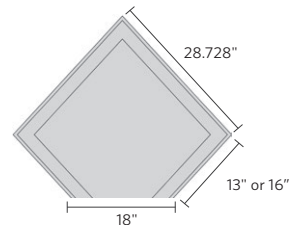
Left Hinged	Right Hinged
SWC3018-1SHL-SS	SWC3018-1SHR-SS

Right-hinged door shown

\*Lazy Susan Add-On Suffix "LS"

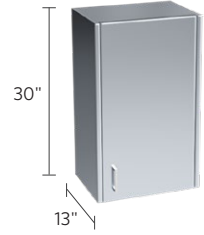


Left Hinged	Right Hinged
SWC3018-1GHL-SS	SWC3018-1GHR-SS



# Wall Cabinets — 30" Height

Wall cabinets are available in 24", 30", 36" and 48" heights and come standard with a 13" depth. For 16" deep cabinets, use the suffix "16". Units are available in various widths as shown. They feature two shelves as standard for 30" units. Specify left- or right-hinged doors using the suffix "L" or "R" after the two digit depth number. If locks are required, use the suffix "LK".



Example: **SW3030-2SS-16** — Depth

Labels: Height (30), # of Doors (2), Width (30), Door Style (SS), Depth (16)

## FRAMED GLASS HINGED DOOR CABINETS



Right-hinged door shown

Width	Left & Right Hinged
18"	SW3018-1GHL-SS
24"	SW3024-1GHL-SS
18"	SW3018-1GHR-SS
24"	SW3024-1GHR-SS



30" and wider

Width	Item Number
30"	SW3030-2GH-SS
36"	SW3036-2GH-SS
42"	SW3042-2GH-SS
48"	SW3048-2GH-SS

## FRAMED GLASS SLIDING DOOR CABINETS



30" and wider

Width	Item Number
30"	SW3030-2GSF-SS
36"	SW3036-2GSF-SS
42"	SW3042-2GSF-SS
48"	SW3048-2GSF-SS

## GLASS SLIDING DOOR CABINETS



30" and wider

Width	Item Number
30"	SW3030-2GS-SS
36"	SW3036-2GS-SS
42"	SW3042-2GS-SS
48"	SW3048-2GS-SS

# Wall Cabinets — 36" Height

Wall cabinets are available in 24", 30", 36" and 48" heights and come standard with a 13" depth. For 16" deep cabinets, use the suffix "16". Units are available in various widths as shown. They feature two shelves as standard for 36" units. Specify left- or right-hinged doors using the suffix "L" or "R" after the two digit depth number. If locks are required, use the suffix "LK".



Example: **SW3630-2SS-16** — Depth

Height: 36", # of Doors: 2, Width: 30", Door Style: SS

## OPEN CABINETS



Up to 24" wide

Width	Item Number
18"	SW3618-000-SS
24"	SW3624-000-SS



30" and wider

Width	Item Number
30"	SW3630-000-SS
36"	SW3636-000-SS
42"	SW3642-000-SS
48"	SW3648-000-SS

## STEEL-HINGED DOOR CABINETS



Right-hinged door shown

Width	Left & Right Hinged
18"	SW3618-1SHL-SS
24"	SW3624-1SHL-SS
18"	SW3618-1SHR-SS
24"	SW3624-1SHR-SS



30" and wider

Width	Item Number
30"	SW3630-2SH-SS
36"	SW3636-2SH-SS
42"	SW3642-2SH-SS
48"	SW3648-2SH-SS

## STEEL SLIDING DOOR CABINETS



30" and wider

Width	Item Number
30"	SW3630-2SS-SS
36"	SW3636-2SS-SS
42"	SW3642-2SS-SS
48"	SW3648-2SS-SS

## CORNER CABINETS



Item Number
SWC3618-000-SS

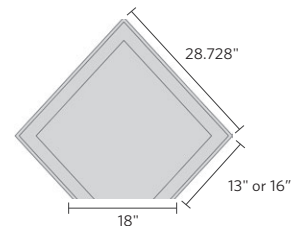


Right-hinged door shown

\*Lazy Susan Add-On Suffix "LS"



Left Hinged	Right Hinged
SWC3618-1GHL-SS	SWC3618-1GHR-SS



# Wall Cabinets — 36" Height

Wall cabinets are available in 24", 30", 36" and 48" heights and come standard with a 13" depth. For 16" deep cabinets, use the suffix "16". Units are available in various widths as shown. They feature two shelves as standard for 36" units. Specify left- or right-hinged doors using the suffix "L" or "R" after the two digit depth number. If locks are required, use the suffix "LK".



Example: **SW3630-2SS-16** — Depth

Height: 36", # of Doors: 2, Width: 30", Door Style: SS-16

## FRAMED GLASS HINGED DOOR CABINETS



Right-hinged door shown

Width	Left & Right Hinged
18"	SW3618-1GHL-SS
24"	SW3624-1GHL-SS
18"	SW3618-1GHR-SS
24"	SW3624-1GHR-SS



30" and wider

Width	Item Number
30"	SW3630-2GH-SS
36"	SW3636-2GH-SS
42"	SW3642-2GH-SS
48"	SW3648-2GH-SS

## FRAMED GLASS SLIDING DOOR CABINETS



30" and wider

Width	Item Number
30"	SW3630-2GSF-SS
36"	SW3636-2GSF-SS
42"	SW3642-2GSF-SS
48"	SW3648-2GSF-SS

## GLASS SLIDING DOOR CABINETS

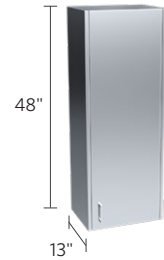


30" and wider

Width	Item Number
30"	SW3630-2GS-SS
36"	SW3636-2GS-SS
42"	SW3642-2GS-SS
48"	SW3648-2GS-SS

# Wall Cabinets — 48" Height

Wall cabinets are available in 24", 30", 36" and 48" heights and come standard with a 13" depth. For 16" deep cabinets, use the suffix "16". Units are available in various widths as shown. They feature three shelves as standard for 48" units. Specify left- or right-hinged doors using the suffix "L" or "R" after the two digit depth number. If locks are required, use the suffix "LK".



Example: **SW4830-2SS-16**

Height: 48" | # of Doors: 2 | Depth: 16"  
 Width: 30" | Door Style: SS

## OPEN CABINETS



Width	Item Number
18"	SW4818-000-SS
24"	SW4824-000-SS

Up to 24" wide



Width	Item Number
30"	SW4830-000-SS
36"	SW4836-000-SS
42"	SW4842-000-SS
48"	SW4848-000-SS

30" and wider

## STEEL-HINGED DOOR CABINETS



Width	Left & Right Hinged
18"	SW4818-1SHL-SS
24"	SW4824-1SHL-SS
18"	SW4818-1SHR-SS
24"	SW4824-1SHR-SS

Right-hinged door shown



Width	Item Number
30"	SW4830-2SH-SS
36"	SW4836-2SH-SS
42"	SW4842-2SH-SS
48"	SW4848-2SH-SS

30" and wider

## STEEL SLIDING DOOR CABINETS



Width	Item Number
30"	SW4830-2SS-SS
36"	SW4836-2SS-SS
42"	SW4842-2SS-SS
48"	SW4848-2SS-SS

30" and wider

## CORNER CABINETS



Item Number
SWC4818-000-SS



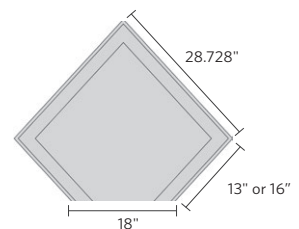
Left Hinged	Right Hinged
SWC4818-1SHL-SS	SWC4818-1SHR-SS

Right-hinged door shown

\*Lazy Susan Add-On Suffix "LS"

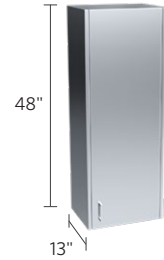


Left Hinged	Right Hinged
SWC4818-1GHL-SS	SWC4818-1GHR-SS



# Wall Cabinets — 48" Height

Wall cabinets are available in 24", 30", 36" and 48" heights and come standard with a 13" depth. For 16" deep cabinets, use the suffix "16". Units are available in various widths as shown. They feature three shelves as standard for 48" units. Specify left- or right-hinged doors using the suffix "L" or "R" after the two digit depth number. If locks are required, use the suffix "LK".



Example: **SW4830-2SS-16** — Depth

Height: 48", # of Doors: 2, Width: 30", Door Style: SS

## FRAMED GLASS HINGED DOOR CABINETS



Width	Left & Right Hinged
18"	SW4818-1GHL-SS
24"	SW4824-1GHL-SS
18"	SW4818-1GHR-SS
24"	SW4824-1GHR-SS

Right-hinged door shown



Width	Item Number
30"	SW4830-2GH-SS
36"	SW4836-2GH-SS
42"	SW4842-2GH-SS
48"	SW4848-2GH-SS

30" and wider

## FRAMED GLASS SLIDING DOOR CABINETS



Width	Item Number
30"	SW4830-2GSF-SS
36"	SW4836-2GSF-SS
42"	SW4842-2GSF-SS
48"	SW4848-2GSF-SS

30" and wider

## GLASS SLIDING DOOR CABINETS



Width	Item Number
30"	SW4830-2GS-SS
36"	SW4836-2GS-SS
42"	SW4842-2GS-SS
48"	SW4848-2GS-SS

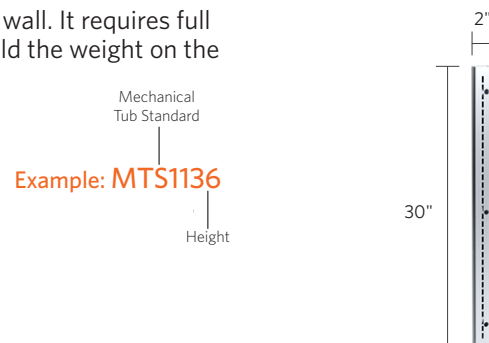
30" and wider

## MECHANICAL TUBE STANDARD

Wall standards are the least expensive way to install shelving for a wall. It requires full proper blocking along the whole standard to assure they are able to hold the weight on the shelves.

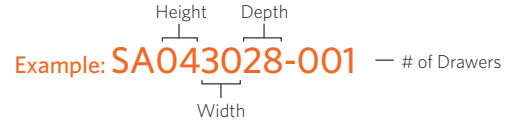


Height	Item Number
24"	MTS1124-SS
30"	MTS1130-SS
36"	MTS1136-SS
42"	MTS1142-SS
48"	MTS1148-SS
72"	MTS1172-SS

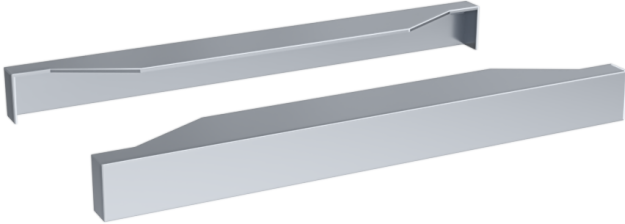


# Aprons

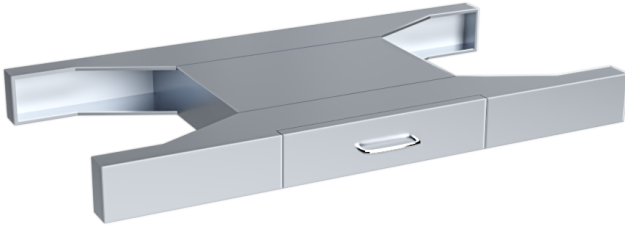
Aprons have the options to be ordered in depths of 22" and 28". The aprons can have up to three drawers if the width allows. If end covers are required, use the suffix "EC". Actual depth of an apron is 22.627 and 28".



## UTILITY TABLES



Width	Item Number
24"	SA042422-000-SS
30"	SA043022-000-SS
36"	SA043622-000-SS
42"	SA044222-000-SS
48"	SA044822-000-SS
54"	SA045422-000-SS
60"	SA046022-000-SS
66"	SA046622-000-SS
72"	SA047222-000-SS



Width	Item Number	Item Number
24"	SA042422-001-SS	SA042428-001-SS
30"	SA043022-001-SS	SA043028-001-SS
36"	SA043622-001-SS	SA043628-001-SS
42"	SA044222-001-SS	SA044228-001-SS



Width	Item Number	Item Number
42"	SA044222-002-SS	SA044228-002-SS
48"	SA044822-002-SS	SA044828-002-SS
54"	SA045422-002-SS	SA045428-002-SS
60"	SA046022-002-SS	SA046028-002-SS
66"	SA046622-002-SS	SA046628-002-SS
72"	SA047222-002-SS	SA047228-002-SS



Width	Item Number	Item Number
72"	SA047222-003-SS	SA047228-003-SS



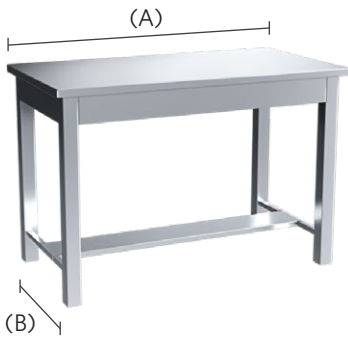
# Utility Tables

Utility Tables can be ordered in 29", 32", and 35" height. The frame Width (A) is 2" less than nominal size. The frame depth (B) can be 22"(22.625) deep and 28" deep. SUTXXXXXX-\_\_ The number of drawers are indicated by the last three numbers. The drawers are available as 000(No Drawers), 001(One Drawer), 002 (Two Drawers), and 003(Three Drawers). Utility Tables are shipped unassembled.

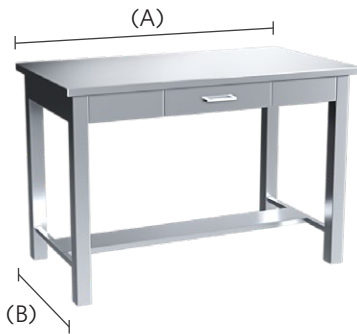
Example: **SUT293024-001** — # of Drawers

Height
Depth  
|
|  
└───┘
└───┘  
Width
Width

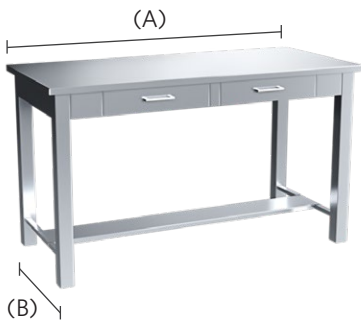
## UTILITY TABLES



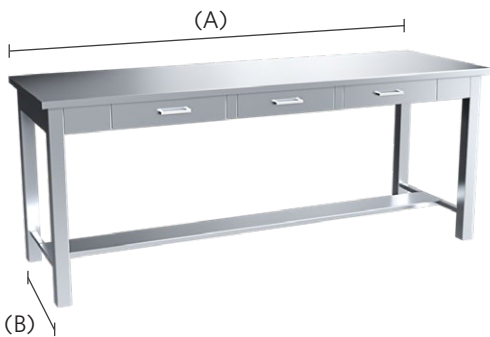
Width	Item Number	(A)	(B)	Item Number	(A)	(B)
24"	SUT292424-000-SS	22	22.625	SUT292430-000-SS	22	28
30"	SUT293024-000-SS	28	22.625	SUT293030-000-SS	28	28
36"	SUT293624-000-SS	34	22.625	SUT293630-000-SS	34	28
42"	SUT294224-000-SS	40	22.625	SUT294230-000-SS	40	28
48"	SUT294824-000-SS	46	22.625	SUT294830-000-SS	46	28
54"	SUT295424-000-SS	52	22.625	SUT295430-000-SS	52	28
60"	SUT296024-000-SS	58	22.625	SUT296030-000-SS	58	28
66"	SUT296624-000-SS	64	22.625	SUT296630-000-SS	64	28
72"	SUT297224-000-SS	70	22.625	SUT297230-000-SS	70	28



Width	Item Number	(A)	(B)	Item Number	(A)	(B)
30"	SUT293024-001-SS	28	22.625	SUT293030-001-SS	28	28
36"	SUT293624-001-SS	34	22.625	SUT293630-001-SS	34	28
42"	SUT294224-001-SS	40	22.625	SUT294230-001-SS	40	28



Width	Item Number	(A)	(B)	Item Number	(A)	(B)
42"	SUT294224-002-SS	40	22.625	SUT294230-002-SS	40	28
48"	SUT294824-002-SS	46	22.625	SUT294830-002-SS	46	28
54"	SUT295424-002-SS	52	22.625	SUT295430-002-SS	52	28
60"	SUT296024-002-SS	58	22.625	SUT296030-002-SS	58	28
66"	SUT296624-002-SS	64	22.625	SUT296630-002-SS	64	28
72"	SUT297224-002-SS	70	22.625	SUT297230-002-SS	70	28



Width	Item Number	(A)	(B)	Item Number	(A)	(B)
72"	SUT297224-003-SS	70	22.625	SUT297230-003-SS	70	28

# Filler Panels

Base cabinet filler panels are available in 29", 32" and 35" high. Floor case filler panels are available in 84" high. They are all available in any width required by entering the dimension in lieu of the "XX" in the part number. Note: AMS base cabinets are 22.375" deep. (Example: SLF35-6.625)

## C-FILLER



Item Number	Item Number	Item Number
SCF29-XX-SS	SCF32-XX-SS	SCF35-XX-SS

## C-FRONT FILLER



Item Number	Item Number	Item Number
SFFC29-XX-SS	SFFC32-XX-SS	SFFC35-XX-SS

## L-FILLER



Item Number	Item Number	Item Number
SLF29-XX-SS	SLF32-XX-SS	SLF35-XX-SS

## L-FRONT FILLER

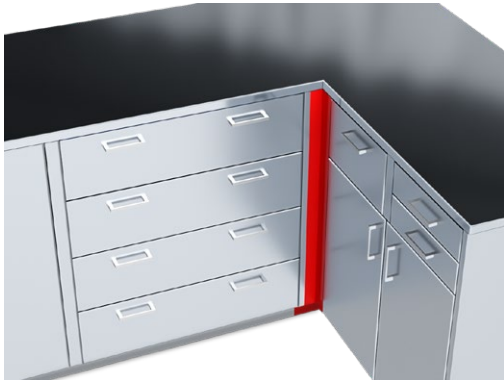


Item Number	Item Number	Item Number
SFFL29-XX-SS	SFFL32-XX-SS	SFFL35-XX-SS

# Filler Panels

Base cabinet filler panels are available in 29", 32" and 35" high. Floor case filler panels are available in 84" high. They are all available in any width required by entering the dimension in lieu of the "XX" in the part number. Note: AMS base cabinets are 22.375" deep. (Example: SLF35-6.625)

## CORNER FILLER



Item Number	Item Number	Item Number
SICF29-XX-SS	SICF32-XX-SS	SICF35-XX-SS

## FLOOR CASE FILLER



Item Number
SFFL84-XX-SS

## TOE SPACE FILLER



Item Number
STSF-XX-SS

## WALL CASE FRONT FILLER



Item Number	Item Number	Item Number	Item Number
SWCFF24-XX-SS	SWCFF30-XX-SS	SWCFF36-XX-SS	SWCFF48-XX-SS

Wall cabinet front filler panels are available in 24", 30", 36" and 48" high. They are all available in any width required by entering the dimension in lieu of the "XX" in the part number. To specify the depth use the suffix "-13" or "-16".



## WALL CASE CORNER FILLER



Item Number	Item Number	Item Number	Item Number
SWCCF24-SS	SWCCF30-SS	SWCCF36-SS	SWCCF48-SS

# Knee Space Rails And Panels

## KNEE SPACE RAILS



Item Number
SKSR0418-SS
SKSR0424-SS
SKSR0430-SS
SKSR0436-SS
SKSR0442-SS
SKSR0448-SS
SKSR0452-SS
SKSR0454-SS
SKSR0460-SS
SKSR0466-SS
SKSR0472-SS
SKSR0484-SS
SKSR0496-SS

## KNEE SPACE PANELS



27" Height	29" Height	32" Height	35" Height
SKSP2724-SS	SKSP2924-SS	SKSP3224-SS	SKSP3524-SS
SKSP2730-SS	SKSP2930-SS	SKSP3230-SS	SKSP3530-SS
SKSP2736-SS	SKSP2936-SS	SKSP3236-SS	SKSP3536-SS
SKSP2742-SS	SKSP2942-SS	SKSP3242-SS	SKSP3542-SS
SKSP2748-SS	SKSP2948-SS	SKSP3248-SS	SKSP3548-SS
SKSP2754-SS	SKSP2954-SS	SKSP3254-SS	SKSP3554-SS
SKSP2760-SS	SKSP2960-SS	SKSP3260-SS	SKSP3560-SS
SKSP2766-SS	SKSP2966-SS	SKSP3266-SS	SKSP3566-SS
SKSP2772-SS	SKSP2972-SS	SKSP3272-SS	SKSP3572-SS



The suffix "-2P" represents two piece panels.

27" Height	29" Height	32" Height	35" Height
SKSP2724-2P-SS	SKSP2924-2P-SS	SKSP3224-2P-SS	SKSP3524-2P-SS
SKSP2730-2P-SS	SKSP2930-2P-SS	SKSP3230-2P-SS	SKSP3530-2P-SS
SKSP2736-2P-SS	SKSP2936-2P-SS	SKSP3236-2P-SS	SKSP3536-2P-SS
SKSP2742-2P-SS	SKSP2942-2P-SS	SKSP3242-2P-SS	SKSP3542-2P-SS
SKSP2748-2P-SS	SKSP2948-2P-SS	SKSP3248-2P-SS	SKSP3548-2P-SS
SKSP2754-2P-SS	SKSP2954-2P-SS	SKSP3254-2P-SS	SKSP3554-2P-SS
SKSP2760-2P-SS	SKSP2960-2P-SS	SKSP3260-2P-SS	SKSP3560-2P-SS
SKSP2766-2P-SS	SKSP2966-2P-SS	SKSP3266-2P-SS	SKSP3566-2P-SS
SKSP2772-2P-SS	SKSP2972-2P-SS	SKSP3272-2P-SS	SKSP3572-2P-SS



The suffix "-3P" represents three piece panels.

27" Height	29" Height	32" Height	35" Height
SKSP2724-3P-SS	SKSP2924-3P-SS	SKSP3224-3P-SS	SKSP3524-3P-SS
SKSP2730-3P-SS	SKSP2930-3P-SS	SKSP3230-3P-SS	SKSP3530-3P-SS
SKSP2736-3P-SS	SKSP2936-3P-SS	SKSP3236-3P-SS	SKSP3536-3P-SS
SKSP2742-3P-SS	SKSP2942-3P-SS	SKSP3242-3P-SS	SKSP3542-3P-SS
SKSP2748-3P-SS	SKSP2948-3P-SS	SKSP3248-3P-SS	SKSP3548-3P-SS
SKSP2754-3P-SS	SKSP2954-3P-SS	SKSP3254-3P-SS	SKSP3554-3P-SS
SKSP2760-3P-SS	SKSP2960-3P-SS	SKSP3260-3P-SS	SKSP3560-3P-SS
SKSP2766-3P-SS	SKSP2966-3P-SS	SKSP3266-3P-SS	SKSP3566-3P-SS
SKSP2772-3P-SS	SKSP2972-3P-SS	SKSP3272-3P-SS	SKSP3572-3P-SS

# Knee Space Rails And Panels

## KNEE SPACE PANELS - APRON SIZING

To accommodate aprons with drawer housing, knee space panels must be 4 inches smaller than the cabinet height.



24" Height	25" Height	28" Height	31" Height
SKSP2424-SS	SKSP2524-SS	SKSP2824-SS	SKSP3124-SS
SKSP2430-SS	SKSP2530-SS	SKSP2830-SS	SKSP3130-SS
SKSP2436-SS	SKSP2536-SS	SKSP2836-SS	SKSP3136-SS
SKSP2442-SS	SKSP2542-SS	SKSP2842-SS	SKSP3142-SS
SKSP2448-SS	SKSP2548-SS	SKSP2848-SS	SKSP3148-SS
SKSP2454-SS	SKSP2554-SS	SKSP2854-SS	SKSP3154-SS
SKSP2460-SS	SKSP2560-SS	SKSP2860-SS	SKSP3160-SS
SKSP2466-SS	SKSP2566-SS	SKSP2866-SS	SKSP3166-SS
SKSP2472-SS	SKSP2572-SS	SKSP2872-SS	SKSP3172-SS



The suffix "-2P" represents two piece panels.

24" Height	25" Height	28" Height	31" Height
SKSP2424-2P-SS	SKSP2524-2P-SS	SKSP2824-2P-SS	SKSP3124-2P-SS
SKSP2430-2P-SS	SKSP2530-2P-SS	SKSP2830-2P-SS	SKSP3130-2P-SS
SKSP2436-2P-SS	SKSP2536-2P-SS	SKSP2836-2P-SS	SKSP3136-2P-SS
SKSP2442-2P-SS	SKSP2542-2P-SS	SKSP2842-2P-SS	SKSP3142-2P-SS
SKSP2448-2P-SS	SKSP2548-2P-SS	SKSP2848-2P-SS	SKSP3148-2P-SS
SKSP2454-2P-SS	SKSP2554-2P-SS	SKSP2854-2P-SS	SKSP3154-2P-SS
SKSP2460-2P-SS	SKSP2560-2P-SS	SKSP2860-2P-SS	SKSP3160-2P-SS
SKSP2466-2P-SS	SKSP2566-2P-SS	SKSP2866-2P-SS	SKSP3166-2P-SS
SKSP2472-2P-SS	SKSP2572-2P-SS	SKSP2872-2P-SS	SKSP3172-2P-SS



The suffix "-3P" represents three piece panels.

24" Height	25" Height	28" Height	31" Height
SKSP2424-3P-SS	SKSP2524-3P-SS	SKSP2824-3P-SS	SKSP3124-3P-SS
SKSP2430-3P-SS	SKSP2530-3P-SS	SKSP2830-3P-SS	SKSP3130-3P-SS
SKSP2436-3P-SS	SKSP2536-3P-SS	SKSP2836-3P-SS	SKSP3136-3P-SS
SKSP2442-3P-SS	SKSP2542-3P-SS	SKSP2842-3P-SS	SKSP3142-3P-SS
SKSP2448-3P-SS	SKSP2548-3P-SS	SKSP2848-3P-SS	SKSP3148-3P-SS
SKSP2454-3P-SS	SKSP2554-3P-SS	SKSP2854-3P-SS	SKSP3154-3P-SS
SKSP2460-3P-SS	SKSP2560-3P-SS	SKSP2860-3P-SS	SKSP3160-3P-SS
SKSP2466-3P-SS	SKSP2566-3P-SS	SKSP2866-3P-SS	SKSP3166-3P-SS
SKSP2472-3P-SS	SKSP2572-3P-SS	SKSP2872-3P-SS	SKSP3172-3P-SS

## CABINET FINISHED BACKS

Cabinet finished back - toe kick



Cabinet finished back - no toe kick

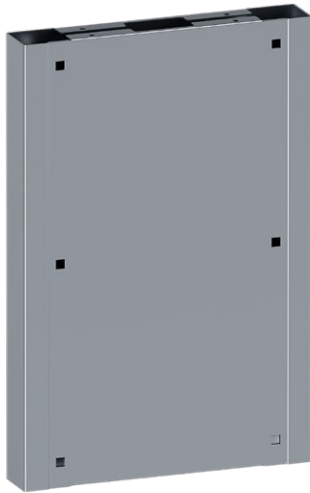


Example: **CFB2930-18-NTK-SS**

height | depth  
width | No Toe Kick (toe kicks come standard on units)

Cabinet finished backs come standard with a toe kick. Finished backs can be applied to a multitude of cabinets. The example above represents the layout for the part number. The height, width, and depth must match the cabinet that the finished back is to be applied too. If you do not want a toe kick on your unit be sure to put the suffix "NTK" at the end of the part number.

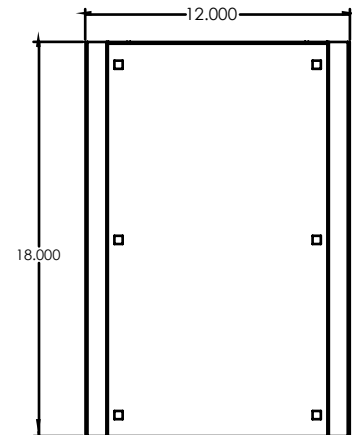
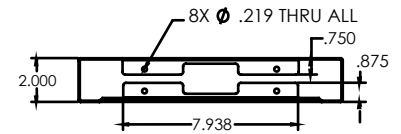
## Counter Island Reagent Assembly



Example: **CIRA21218-2E-1D-1P**

Depth | Height | D=Duplex | Q=Quad | Plumbing Cutout  
Width | Electrical Cutout

Item Number
CIRA21218-SS



# Accessories

## END PEDESTALS



Item Number
SEP2902-22-SS
SEP2902-28-SS
SEP3502-22-SS
SEP3502-28-SS

Actual: 22.375" & 28.000"

## TABLE LEGS



Item Number
SL29-22-SS
SL29-28-SS
SL35-22-SS
SL35-28-SS

Actual: 22.625"

## SINGLE LEG



Item Number
SSL-29-SS
SSL-35-SS



## SINGLE LEG WITH PLATE

Item Number
SSL-29P-SS
SSL-35P-SS

## CORNER SLOPED TOP



Item Number
SST-Corner13-SS
SST-Corner16-SS
SST-Corner21-SS

## SLOPED TOP WITH END CAPS



Item Number	Item Number	Item Number
SST13-18-SS	SST16-18-SS	SST21-18-SS
SST13-24-SS	SST16-24-SS	SST21-24-SS
SST13-30-SS	SST16-30-SS	SST21-30-SS
SST13-36-SS	SST16-36-SS	SST21-36-SS
SST13-42-SS	SST16-42-SS	SST21-42-SS
SST13-48-SS	SST16-48-SS	SST21-48-SS

\*Slope height is 6"

## SHELVES

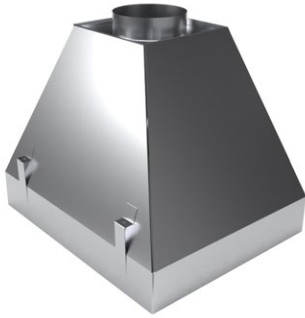


Item Number	Item Number	Item Number	Item Number
SWS1813-SS	SWS1816-SS	SFS1816-SS	SFS1821-SS
SWS2413-SS	SWS2416-SS	SFS2416-SS	SFS2421-SS
SWS3013-SS	SWS3016-SS	SFS3016-SS	SFS3021-SS
SWS3613-SS	SWS3616-SS	SFS3616-SS	SFS3621-SS
SWS4213-SS	SWS4216-SS	SFS4216-SS	SFS4221-SS
SWS4813-SS	SWS4816-SS	SFS4816-SS	SFS4821-SS

# Canopy Hoods

All stainless steel 16-gauge canopy hoods wall mount or island style are supplied with hanging rods and attached brackets with duct collar. Standard and custom sizes available.

## ISLAND CANOPY HOODS



Item Number	Length	Depth	Height
ICH-3630-30	36"	30"	30"
ICH-4830-30	48"	30"	30"
ICH-6030-30	60"	30"	30"
ICH-7230-30	72"	30"	30"
ICH-9630-30	96"	30"	30"

## WALL CANOPY HOODS

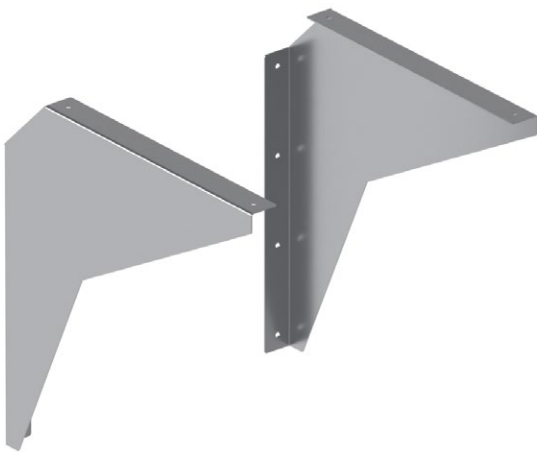


Item Number	Length	Depth	Height
WCH-3630-30	36"	30"	30"
WCH-4830-30	48"	30"	30"
WCH-6030-30	60"	30"	30"
WCH-7230-30	72"	30"	30"
WCH-9630-30	96"	30"	30"

# Countertop Wall Brackets

12-gauge stainless steel wall brackets for countertops.

## WALL BRACKETS



Item Number	Depth	Height
CTB-30	29.750"	18"
CTB-25	24.75"	18"
CTB-24	23.75"	18"
CTB-18	17.750"	18"



# Countertops

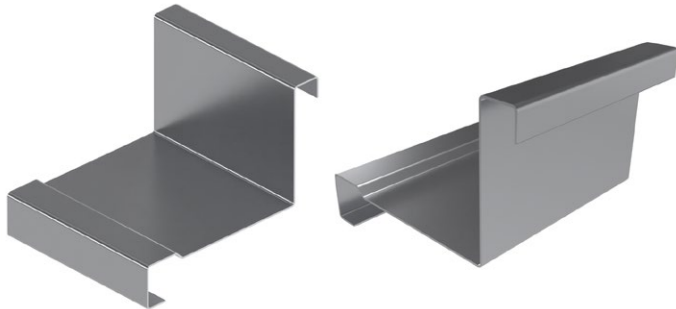
---

Stainless steel countertops and tables are constructed from type 304 stainless steel, polished to a #4 finish. Type 316 stainless steel is available upon request for an additional charge. Countertops and tables are constructed from 16-gauge thick material and sink bowls from 14-gauge material.

Table frames are made using 2" square tubular construction with adjustable bullet-type feet.

## COUNTERTOPS

---



Marine Edge



Mechanical Joint



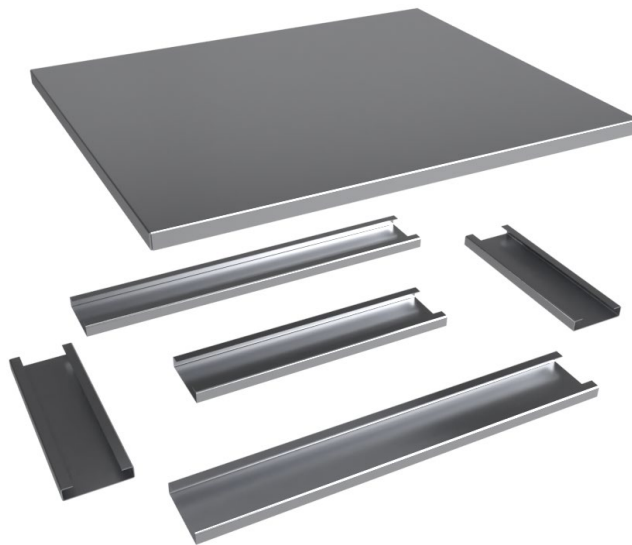
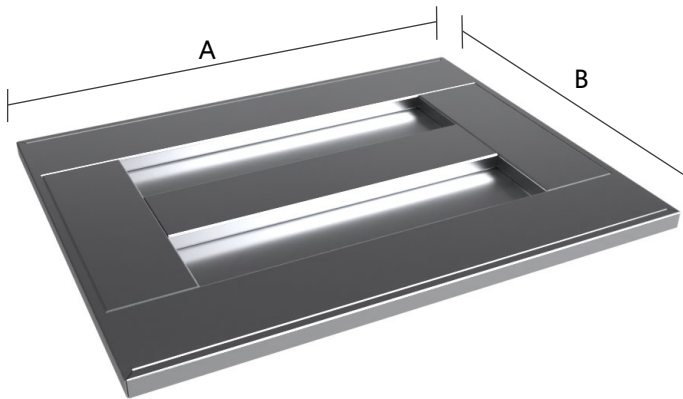
Stainless Steel Custom Countertops

- 14-Gauge Sink Bowls
- Drain Outlets with Basket Strainers
- (OPTIONAL) Wall Mount Brackets
- Wall Clips provided
- Pitches Available
- Partial & Full End Splashes
- Tops crated for shipping
- Price includes a submittal dwg
- Stainless Steel hat channel substrate
- Sound deadening compound applied

# Table Tops

Stainless steel counter tops are 1" thick 16-gauge with stainless steel hat channel substrate and sprayed with a sound deadening compound. Table tops are available in 24", 30", and 36" depths as standard. Customizations are available.

## STAINLESS STEEL TABLE TOPS



	A	B	
Item Number	Length	Depth	Width
SCT-3024-1	30"	24"	1"
SCT-3624-1	36"	24"	1"
SCT-4224-1	42"	24"	1"
SCT-4824-1	48"	24"	1"
SCT-5424-1	54"	24"	1"
SCT-6024-1	60"	24"	1"
SCT-6624-1	66"	24"	1"
SCT-7224-1	72"	24"	1"
SCT-8424-1	84"	24"	1"
SCT-9624-1	96"	24"	1"

	A	B	
Item Number	Length	Depth	Width
SCT-3030-1	30"	30"	1"
SCT-3630-1	36"	30"	1"
SCT-4230-1	42"	30"	1"
SCT-4830-1	48"	30"	1"
SCT-5430-1	54"	30"	1"
SCT-6030-1	60"	30"	1"
SCT-6630-1	66"	30"	1"
SCT-7230-1	72"	30"	1"
SCT-8430-1	84"	30"	1"
SCT-9630-1	96"	30"	1"

	A	B	
Item Number	Length	Depth	Width
SCT-3036-1	30"	36"	1"
SCT-3636-1	36"	36"	1"
SCT-4236-1	42"	36"	1"
SCT-4836-1	48"	36"	1"
SCT-5436-1	54"	36"	1"
SCT-6036-1	60"	36"	1"
SCT-6636-1	66"	36"	1"
SCT-7236-1	72"	36"	1"
SCT-8436-1	84"	36"	1"
SCT-9636-1	96"	36"	1"

# Wall Mounted Sink Enclosure

Stainless steel sink enclosures are supplied with 12-gauge end support brackets, an 18-gauge apron, and 18-gauge removable front panel.

## WALL MOUNTED SINK ENCLOSURE



Item Number	Width	Depth	Height
SSE-30X23X22	30"	23"	22"
SSE-30X24X22	30"	24"	22"
SSE-30X29X22	30"	29"	22"
SSE-36X23X22	36"	23"	22"
SSE-36X24X22	36"	24"	22"
SSE-36X29X22	36"	29"	22"
SSE-48X23X22	48"	23"	22"
SSE-48X24X22	48"	24"	22"
SSE-48X29X22	48"	29"	22"

# Scullery Sinks

Stainless steel 14-gauge scullery sinks come with 2" square tube legs on adjustable bullet feet with front to back and center stretchers. Tops are pitched for drainage. The "RFD" style comes with a lower shelf and boxed curb. Umbilical and column notches are available. Any size or configuration available. Comes with wall clips, drain outlets, and basket strainers.

## SCULLERY SINKS



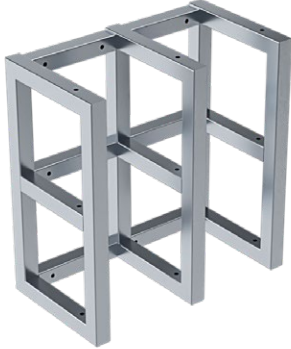
Item Number	Length	Depth	# of Sinks
SCUL-72-1B	72"	30"	1
SCUL-72-2B	72"	30"	2
SCUL-96-1B	96"	30"	2
SCUL-96-2B	96"	30"	3



Item Number	Length	Depth	# of Sinks
RFDS-72-1B	72"	33"	1
RFDS-72-2B	72"	33"	2
RFDS-96-2B	96"	33"	2
RFDS-96-3B	96"	33"	3
RFDS-120-2B	120"	33"	2
RFDS-120-3B	120"	33"	3

# Cylinder Racks

## CYLINDER RESTRAINT RACKS



SCR02-1-SS Cylinder Rack  
Shown

Width	Item Number	# of Cylinders
16"	SCR01-1-SS	1
30"	SCR02-1-SS	2
44"	SCR03-1-SS	3
58"	SCR04-1-SS	4
72"	SCR05-1-SS	5

\*Custom sizes available

\*Includes chains

\*\* Standard construction is welded.  
Strut/Bolt version also available for a  
value engineered option.



SCR02-2-SS Cylinder Rack  
Shown

Width	Item Number	# of Cylinders
16"	SCR01-2-SS	2
30"	SCR02-2-SS	4
44"	SCR03-2-SS	6
58"	SCR04-2-SS	8
72"	SCR05-2-SS	10

\*Custom sizes available

\*Includes chains

\*\* Standard construction is welded.  
Strut/Bolt version also available for a  
value engineered option.



SCR02-3-SS Cylinder Rack  
Shown

Width	Item Number	# of Cylinders
16"	SCR01-3-SS	3
30"	SCR02-3-SS	6
44"	SCR03-3-SS	9
58"	SCR04-3-SS	12
72"	SCR05-3-SS	15

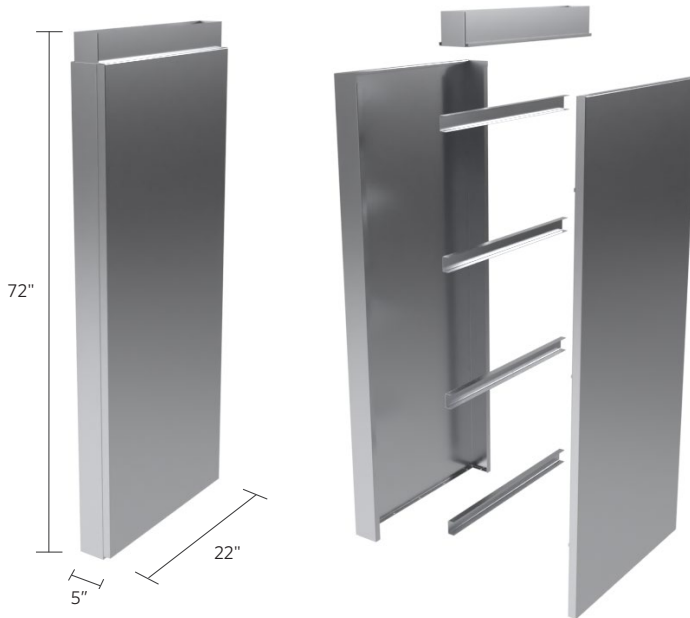
\*Custom sizes available

\*Includes chains

\*\* Standard construction is welded.  
Strut/Bolt version also available for a  
value engineered option.

# Umbilicals

## ISLAND UMBILICALS

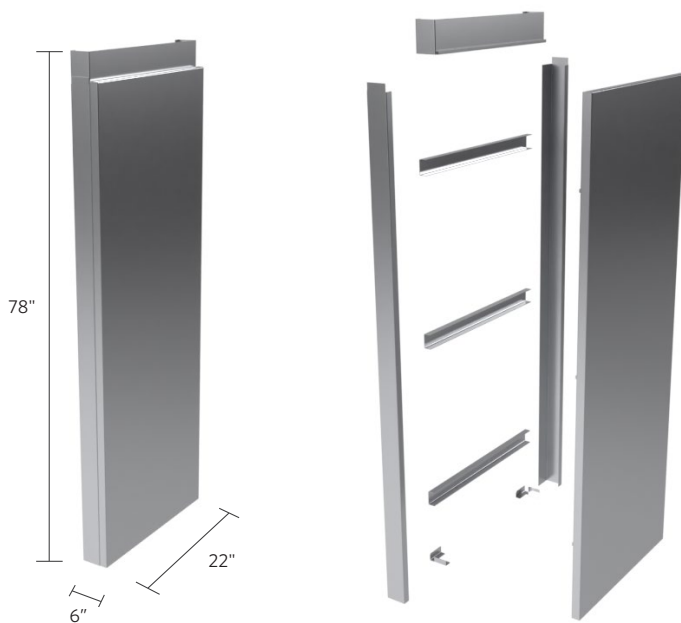


UMB-IR-22X5X72-SS Shown



Height	Item Number
68"	UMB-IR-X-X-68-SS
73"	UMB-IR-X-X-73-SS
78"	UMB-IR-X-X-78-SS
90"	UMB-IR-X-X-90-SS

## WALL UMBILICALS



UMB-WR-22X6X78-SS Shown



Height	Item Number
68"	UMB-WR-X-X-68-SS
73"	UMB-WR-X-X-73-SS
78"	UMB-WR-X-X-78-SS
90"	UMB-WR-X-X-90-SS



**Air Master Systems Corp.**

6480 Norton Center Drive, Muskegon, MI 49441 • 231.798.1111 • 231.798.4000 fax • [airmastersystems.com](http://airmastersystems.com)